

# VSC8584

Quad-Port 10/100/1000BASE-T, 100/1000BASE-X PHY with Synchronous Ethernet, VeriTime™, Intellisec™, and QSGMII/ SGMII MAC

Enables network-wide Layer 2 MACsec encryption and preserves nanosecond-level IEEE 1588v2 network timing accuracy with a simple PHY upgrade.

The quad port VSC8584 GbE PHY with Intellisec and VeriTime is ideal for securing cloud network applications including e-commerce, databases, collaboration, smart grid, video, and enterprise or government communications.

Intellisec enables a realistic and affordable Layer 2 MACsec security solution. Intellisec is a patent-pending technology enabling IEEE 802.1AE MACsec encryption end-to-end over any network, including multi-operator and cloud-based networks, independent of the network's awareness of security protocols. Intellisec is not limited to traditional MACsec link-based box-to-box applications. Likewise, Intellisec scales easily with the number of interfaces delivering significant cost savings in network deployment.

VeriTime is Microsemi's patent-pending timing technology that delivers the industry's most accurate IEEE 1588v2 timing implementation down to 4 ns. Integration of MACsec with IEEE 1588v2 time stamping in the PHY is an efficient and low cost method to protect data passing through the network while maintaining highly accurate time of day (ToD). For these applications, the device supports daisy-chaining of SPI interfaces for IEEE 1588v2 time stamping to reduce the number of pins required on a target ASIC, SoC or FPGA.

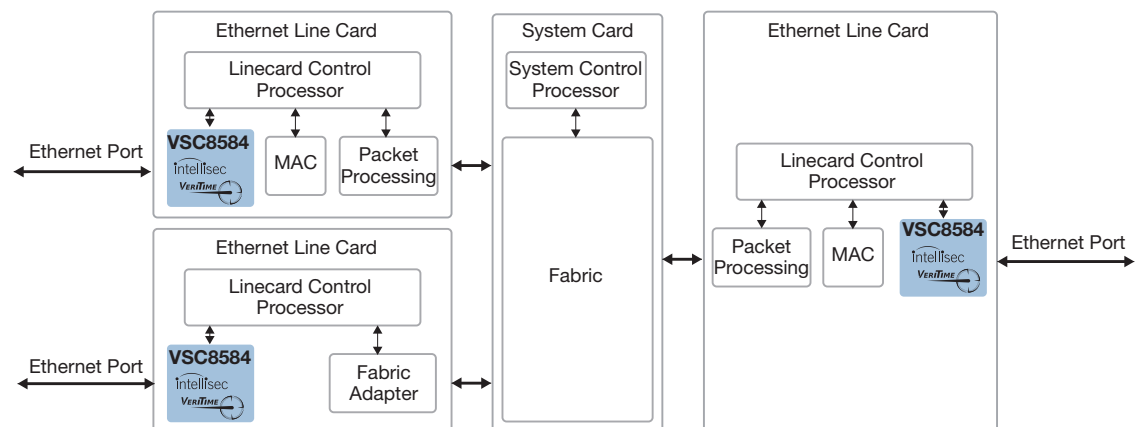
VSC8584 supports Y.1731 OAM and MPLS-TP OAM for accurate delay measurement and performance monitoring. In addition, it includes dual recovered clock outputs for timing references in Synchronous Ethernet solutions. Using Microsemi's Ring Resiliency™ technology, the PHY switches between master and slave timing without interrupting the 1000BASE-T link.

## Highlights

- Part of the world's first and only NIST FIPS197 128/256-bit MACsec-support family of GbE PHYs
- 802.1AE-2006, 802.1AEbn-2011, and 802.1AEbw-2013 compliant
- Exclusive patented "Tag-in-the-Clear" and "Flow-Based" technologies enable MACsec to work in any IPv4 or IPv6-based network capable of supporting VLANs and/or MPLS
- One-step and two-step VeriTime™ time stamping over encapsulated links including MPLS and PBB
- MPLS and Ethernet Y.1731 OAM
- EcoEthernet™ 2.0 green technology
- Supports clause 45 MDIO register access
- Enhanced SPI interface supports high port count IEEE 1588v2 applications

## Applications

- Wireless backhaul systems
- Carrier Ethernet cellular base systems
- Industrial automation systems
- Secure data center to data center interconnects



Microsemi makes no warranty, representation, or guarantee regarding the information contained herein or the suitability of its products and services for any particular purpose, nor does Microsemi assume any liability whatsoever arising out of the application or use of any product or circuit. The products sold hereunder and any other products sold by Microsemi have been subject to limited testing and should not be used in conjunction with mission-critical equipment or applications. Any performance specifications are believed to be reliable but are not verified, and Buyer must conduct and complete all performance and other testing of the products, alone and together with, or installed in, any end-products. Buyer shall not rely on any data and performance specifications or parameters provided by Microsemi. It is the Buyer's responsibility to independently determine suitability of any products and to test and verify the same. The information provided by Microsemi hereunder is provided "as is, where is" and with all faults, and the entire risk associated with such information is entirely with the Buyer. Microsemi does not grant, explicitly or implicitly, to any party any patent rights, licenses, or any other IP rights, whether with regard to such information itself or anything described by such information. Information provided in this document is proprietary to Microsemi, and Microsemi reserves the right to make any changes to the information in this document or to any products and services at any time without notice.

# VSC8584

Quad-Port 10/100/1000BASE-T, 100/1000BASE-X PHY with Synchronous Ethernet, VeriTime™, Intellisec™, and QSGMII/SGMII MAC

## Best-in-Class Power Consumption

- Voltage-mode quad port GbE PHY
- EcoEthernet 2.0 green energy efficiency modes with ActiPHY™ automatic link power down, PerfectReach™ intelligent cable algorithm, and IEEE 802.3az (including support for legacy MACs not supporting IEEE 802.3az)
- Fully optimized power consumption for all link speeds

## Superior PHY and Interface Technology

- Four integrated 10/100/1000BASE-T Ethernet copper transceivers (IEEE 802.3ab compliant) with VeriPHY™ cable diagnostics
- Four dual media copper/fiber ports with unidirectional IEEE 802.3ah support
- SGMII and QSGMII SerDes MAC interface
- Patented line driver with low EMI voltage mode and integrated line side termination resistors
- HP Auto-MDIX support
- Integrated AC-coupling capacitors for SGMII interface
- Jumbo frame support up to 16 kB with programmable synchronization FIFOs

## Advanced Carrier Ethernet Support

- Recovered clock outputs with programmable clock squelch control and fast link failure indication (<1 ms) for G.8261 SyncE applications

- Supports IEEE 1588v2 time stamp packet correction
- Flexible transmit and receive frequency timing per PHY port
- 1000BASE-T ring resiliency for switching between master/slave timing while maintaining linkup integrity
- Integrated quad I2C mux to control SFP and PoE modules
- Supports IEEE 802.3bf timing and synchronization
- IEEE 802.1AE MACsec with 256/128-bit encryption support

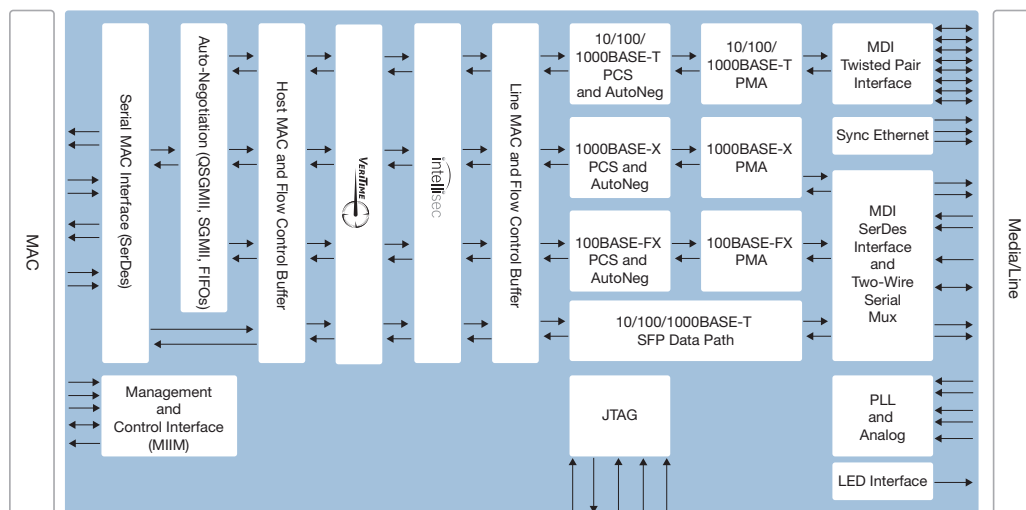
## Key Specifications

- 1.0 V core and 2.5 V I/O power supplies
- 3.3 V-tolerant 2.5 V inputs
- Supports QSGMII v1.3, SGMII v1.9, and IEEE 1149.1 JTAG boundary scan
- Compliant with IEEE 802.3 (10/1000 BASE-T, 10BASE-Te, 100BASE-TX, 100BASE-FX, and 1000BASE-X)
- Various SKUs available supporting an operating temperature range from 0 °C ambient to 125 °C junction OR -40 °C ambient to 125 °C junction

## Related Products

Visit [www.microsemi.com](http://www.microsemi.com) for information about these related products:

- 1 GbE PHYs
- 10 GbE PHYs



**Microsemi Headquarters**  
 One Enterprise, Aliso Viejo, CA 92656 USA  
 Within the USA: +1 (800) 713-4113  
 Outside the USA: +1 (949) 380-6100  
 Sales: +1 (949) 380-6136  
 Fax: +1 (949) 215-4996  
 email: [sales.support@microsemi.com](mailto:sales.support@microsemi.com)  
[www.microsemi.com](http://www.microsemi.com)

Microsemi, a wholly owned subsidiary of Microchip Technology Inc. (Nasdaq: MCHP), offers a comprehensive portfolio of semiconductor and system solutions for aerospace & defense, communications, data center and industrial markets. Products include high-performance and radiation-hardened analog mixed-signal integrated circuits, FPGAs, SoCs and ASICs; power management products; timing and synchronization devices and precise time solutions, setting the world's standard for time; voice processing devices; RF solutions; discrete components; enterprise storage and communication solutions, security technologies and scalable anti-tamper products; Ethernet solutions; Power-over-Ethernet ICs and midspans; as well as custom design capabilities and services. Learn more at [www.microsemi.com](http://www.microsemi.com).