

VSC8489-15

Single Channel WAN/LAN/Backplane RXAUI/XAUI to SFP+/KR 10 GbE PHY with Optional VeriTime™

Microsemi's single channel PHY provides support for IEEE 802.3ae 10 Gbps Ethernet and optional IEEE 1588v2, as well as hardware-based KR operation for single channel Ethernet-based applications.

The single channel VSC8489-15 complements Microsemi's portfolio of single, dual, and quad channel integrated IEEE 802.1AE MACsec and IEEE 1588v2 Ethernet PHY transceivers.

VeriTime™ is Microsemi's patent-pending timing technology that delivers the industry's most accurate IEEE 1588v2 timing implementation. The IEEE 1588v2 timing integrated in the PHY is the quickest, lowest cost method of implementing the timing accuracy that is crucial for maintaining existing timing-critical capabilities during the migration from circuit-based to packet-based architectures.

The VSC8489-15 device supports time stamping for 1588 PTP ordinary clock, boundary clock, and one-step and two-step transparent clock modes of operation, along with complete Y.1731 OAM performance monitoring capabilities.

The device meets the SFP+, SR, LR, ER, ZR, direct attach copper, and OM3 (300 meters) and OM4 (400 meters) multi mode fiber host requirements, in accordance with the SFF-8431 specifications. It also compensates for optical impairments for above SFP+ applications, along with degradations of the PCB.

VSC8489-15 provides KR support, including Clause 72 link training, Clause 73 backplane autonegotiation, and optional Clause 74 FEC. The transmit path incorporates a multitap output driver to provide flexibility to meet the demanding IEEE 802.3ap 10GBASE-KR Tx output launch requirements.

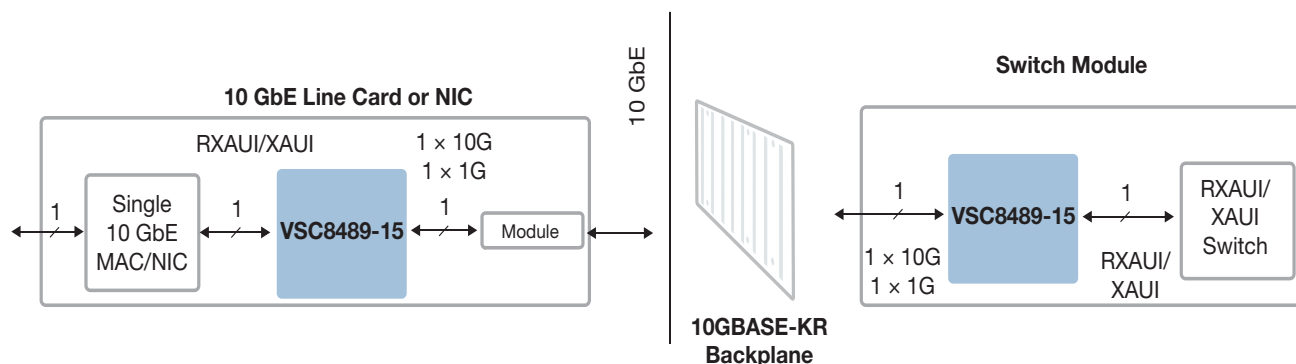
The device uses a single 156.25 MHz reference clock for LAN/WAN operation. Its flexible clocking options enable Layer 1 support for Synchronous Ethernet. A complete suite of BIST functionality includes line and client loopbacks along with pattern generation and error detection.

Highlights

- Single port 10 Gbps PHY-only mode
- IEEE 1588v2 compliant
- Configurable LAN and WAN support
- RXAUI/XAUI host-side connectivity
- SFP+ I/O with KR support
- 1 Gbps Ethernet mode support

Applications

- Single-port RXAUI/XAUI to SFI/SFP+ line cards or NICs
- 10GBASE-KR compliant backplane connections
- Carrier Ethernet and broadband access networks requiring IEEE 1588v2 timing and synchronization
- Data center WAN interconnections
- 10 Gbps Ethernet switch cards and router interface modules



Microsemi makes no warranty, representation, or guarantee regarding the information contained herein or the suitability of its products and services for any particular purpose, nor does Microsemi assume any liability whatsoever arising out of the application or use of any product or circuit. The products sold hereunder and any other products sold by Microsemi have been subject to limited testing and should not be used in conjunction with mission-critical equipment or applications. Any performance specifications are believed to be reliable but are not verified, and Buyer must conduct and complete all performance and other testing of the products, alone and together with, or installed in, any end-products. Buyer shall not rely on any data and performance specifications or parameters provided by Microsemi. It is the Buyer's responsibility to independently determine suitability of any products and to test and verify the same. The information provided by Microsemi hereunder is provided "as is, where is" and with all faults, and the entire risk associated with such information is entirely with the Buyer. Microsemi does not grant, explicitly or implicitly, to any party any patent rights, licenses, or any other IP rights, whether with regard to such information itself or anything described by such information. Information provided in this document is proprietary to Microsemi, and Microsemi reserves the right to make any changes to the information in this document or to any products and services at any time without notice.

VSC8489-15

Single Channel WAN/LAN/Backplane RXAUI/XAUI to SFP+/KR 10 GbE PHY with Optional VeriTime™

Range of Support

- IEEE 1588v2/Y.1731 OAM precision timing support at 1.25 Gbps and 10.3 Gbps
- Compliant to IEEE 802.3ae and SFF-8431 electrical (SFI) specifications
- 9.95 Gbps WAN and 10.3 Gbps LAN operation, as well as 1.25 Gbps Ethernet support
- Supports all standard SFP+ applications
- Support for 10GBASE-KR (IEEE 802.3ap) for 10G backplanes, including 1.25 Gbps and 10.3 Gbps auto-negotiation and link training
- Adaptive equalization receiver and programmable, multitap transmitter pre-emphasis
- Synchronous Ethernet support
- MDIO/SPI and two-wire serial slave management interfaces

Key Specifications

- 1.7 W typical for a single bidirectional channel
- 1.2 V and 1.0 V core power supplies (2.5 V TTL supply)
- 0 °C ambient to 110 °C junction temperature range

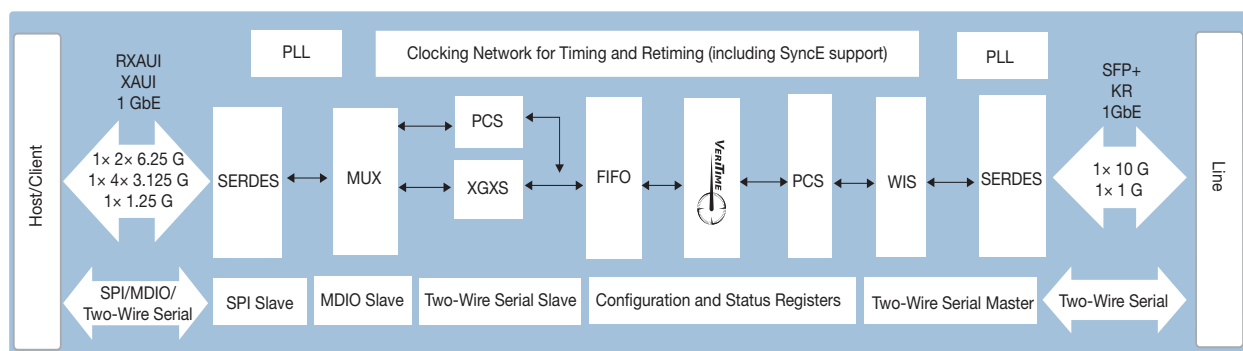
Flexibility

- Optional 2 channel input design on the host side for failover protection
- VScope input signal monitoring integrated circuit
- Host-side and line-side loopbacks with BIST functions
- I/O programmability for lane swap, invert, amplitude, slew, pre-emphasis, and equalization
- Optional forward error correction (FEC)
- Synchronous Ethernet support with flexible clocking
- Passive copper cable support for low-cost DAC connectivity
- Pin-compatible with VSC8489, VSC8490, and VSC8491

Related Products

Visit www.microsemi.com for information about these related products:

- VSC8489
- VSC8490
- VSC8491
- VSC8572
- VSC8574
- VSC8584



Microsemi

Microsemi Corporate Headquarters
 One Enterprise, Aliso Viejo, CA 92656 USA
 Within the USA: +1 (800) 713-4113
 Outside the USA: +1 (949) 380-6100
 Sales: +1 (949) 380-6136
 Fax: +1 (949) 215-4996
 email: sales.support@microsemi.com
www.microsemi.com

Microsemi Corporation (Nasdaq: MSCC) offers a comprehensive portfolio of semiconductor and system solutions for communications, defense and security, aerospace, and industrial markets. Products include high-performance and radiation-hardened analog mixed-signal integrated circuits, FPGAs, SoCs, and ASICs; power management products; timing and synchronization devices and precise time solutions; voice processing devices; RF solutions; discrete components; enterprise storage and communications solutions, security technologies, and scalable anti-tamper products; Ethernet solutions; Power-over-Ethernet ICs and midspans; custom design capabilities and services. Microsemi is headquartered in Aliso Viejo, California, and has approximately 4,800 employees worldwide. Learn more at www.microsemi.com.

©2015–2016 Microsemi Corporation. All rights reserved. Microsemi and the Microsemi logo are registered trademarks of Microsemi Corporation. All other trademarks and service marks are the property of their respective owners.

VPPD-04014. 1.0. 4/16