

VSC8501

Single Port GbE Copper PHY with Synchronous Ethernet and RGMII/GMII Interface

Low-power PHY supports IEEE 802.3az Energy Efficient Ethernet.

The VSC8501 device is designed for space-constrained 10/100/1000BASE-T applications. It features integrated line-side termination to conserve board space, to lower EMI, and to improve system performance. To further reduce system complexity, component count, and system cost, the VSC8501 device can operate from a single 3.3 V supply using integrated voltage regulators that provide the necessary 1.0 V and 2.5 V rails for operation. Additionally, integrated RGMII timing compensation eliminates the need for on-board delay lines.

The VSC8501 device includes Microsemi's EcoEthernet™ 2.0 technology that supports Energy Efficient Ethernet and power saving features to reduce power based on link state and cable reach. The device optimizes power consumption in all link operating speeds and features Wake-on-LAN (WOL) power management using magic packets.

The VSC8501 device also includes fast link failure indication for high-availability networks. Fast link failure indication identifies the onset of a link failure in less than 1 ms typical to go beyond the IEEE 802.3 standard requirement of 750 ms \pm 10 ms (link master).

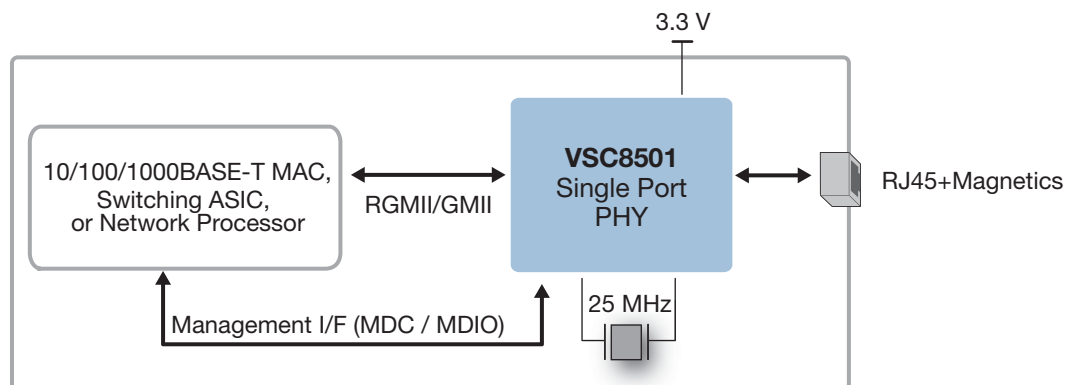
Synchronous Ethernet and Ring Resiliency™ are supported. The device has two recovered clock outputs for Synchronous Ethernet applications. Programmable clock squelch control is included to inhibit undesirable clocks from propagating and to help prevent timing loops. Ring Resiliency allows a PHY port to switch between master and slave timing references with no link drop in 1000BASE-T mode.

Highlights

- EcoEthernet™ 2.0, the gold standard for Energy Efficient Ethernet (EEE)
- Wake-on-LAN (WOL)
- Fast link failure indication
- Synchronous Ethernet support
- Dual recovered clocks for timing reference
- Ring Resiliency™
- Integrated voltage regulator
- Pin compatible with VSC8502

Applications

- IoT applications such as digital signage, eHealth, and industrial grade switches
- Consumer electronics such as CPE, UHDTV, media servers, NAS, and gaming consoles
- Wireless backhaul
- Small cells, femtocells



Microsemi makes no warranty, representation, or guarantee regarding the information contained herein or the suitability of its products and services for any particular purpose, nor does Microsemi assume any liability whatsoever arising out of the application or use of any product or circuit. The products sold hereunder and any other products sold by Microsemi have been subject to limited testing and should not be used in conjunction with mission-critical equipment or applications. Any performance specifications are believed to be reliable but are not verified, and Buyer must conduct and complete all performance and other testing of the products, alone and together with, or installed in, any end-products. Buyer shall not rely on any data and performance specifications or parameters provided by Microsemi. It is the Buyer's responsibility to independently determine suitability of any products and to test and verify the same. The information provided by Microsemi hereunder is provided "as is, where is" and with all faults, and the entire risk associated with such information is entirely with the Buyer. Microsemi does not grant, explicitly or implicitly, to any party any patent rights, licenses, or any other IP rights, whether with regard to such information itself or anything described by such information. Information provided in this document is proprietary to Microsemi, and Microsemi reserves the right to make any changes to the information in this document or to any products and services at any time without notice.

VSC8501

Single Port GbE Copper PHY with Synchronous Ethernet and RGMII/GMII Interface

Superior PHY and Interface Technology

- Integrated 10/100/1000BASE-T Ethernet copper transceiver (IEEE 802.3ab compliant) with VeriPHY™ cable diagnostics software
- Patented line driver with low EMI voltage mode and integrated line-side termination resistors
- Wake-on-LAN using magic packets
- HP Auto-MDIX and manual MDI/MDIX support
- Jumbo frame support up to 16 kilobytes with programmable synchronization FIFOs

Synchronous Ethernet Support

- Recovered clock outputs with programmable clock squelch control and fast link failure indication (<1 ms typical) for ITU-T G.8261/Y.1361 compliant Synchronous Ethernet (SyncE) application
- 1000BASE-T Ring Resiliency to switch between master and slave timing without dropping link
- Clock output squelch to inhibit clocks during auto-negotiation and no link status

Best-in-Class Power Consumption

- EcoEthernet™ 2.0 green energy efficiency with ActiPHY™, PerfectReach™, and IEEE 802.3az Energy Efficient Ethernet
- Fully optimized power consumption for all link speeds
- Clause 45 registers to support IEEE 802.3az Energy Efficient Ethernet and IEEE 802.3bf

Key Specifications

- Compliant with IEEE 802.3 (10BASE-T, 100BASE-TX, and 1000BASE-T)
- Supports GMII
- Supports RGMII version 1.3, and 2.5 V and 3.3 V CMOS for RGMII version 2.0
- Supports IEEE 1149.1 JTAG boundary scan
- Devices support operating temperatures of -40 °C ambient to 125 °C junction or 0 °C ambient to 125 °C junction
- Optionally reports if a link partner is requesting inline Power over Ethernet (PoE or PoE+)
- Available in 12 mm × 12 mm, 135-pin multi-row QFN package

Related Products

Visit www.microsemi.com for information about these related products:

- VSC8502
- VSC8514



Microsemi Corporate Headquarters
One Enterprise, Aliso Viejo, CA 92656 USA
Within the USA: +1 (800) 713-4113
Outside the USA: +1 (949) 380-6100
Sales: +1 (949) 380-6136
Fax: +1 (949) 215-4996
email: sales.support@microsemi.com
www.microsemi.com

Microsemi Corporation (Nasdaq: MSCC) offers a comprehensive portfolio of semiconductor and system solutions for communications, defense and security, aerospace, and industrial markets. Products include high-performance and radiation-hardened analog mixed-signal integrated circuits, FPGAs, SoCs, and ASICs; power management products; timing and synchronization devices and precise time solutions; voice processing devices; RF solutions; discrete components; enterprise storage and communications solutions, security technologies, and scalable anti-tamper products; Ethernet solutions; Power-over-Ethernet ICs and midspans; custom design capabilities and services. Microsemi is headquartered in Aliso Viejo, California, and has approximately 4,800 employees worldwide. Learn more at www.microsemi.com.

©2013–2016 Microsemi Corporation. All rights reserved. Microsemi and the Microsemi logo are registered trademarks of Microsemi Corporation. All other trademarks and service marks are the property of their respective owners.

VPPD-03360. 1.1. 4/16