

Features

- **Input clocks**
 - Three inputs, two differential/CMOS, one CMOS
 - Any input frequency from 1kHz to 650Hz (1kHz to 300MHz for CMOS)
 - Inputs continually monitored for activity and frequency accuracy
 - Automatic or manual reference switching
- **Low-bandwidth DPLL**
 - Programmable bandwidth, 1Hz to 500Hz
 - Attenuates jitter up to several UI
 - Free-run or holdover on loss of all inputs
 - Hitless reference switching
 - High-resolution holdover averaging
 - Digitally controlled phase adjustment
- **Low-jitter Fractional-N APLL and 3 Outputs**
 - Any output frequency from <1Hz to 650MHz
 - High-resolution fractional frequency conversion with 0ppm error
 - Easy-to-configure, encapsulated design requires no external VCXO or loop filter components
 - Each output has independent dividers
 - Output jitter is typically 0.17 to 0.28ps RMS (12kHz-20MHz integration band)
 - Outputs are CML or 2xCMOS, can interface to LVDS, LVPECL, HSTL, SSTL and HCSL

Ordering Information

ZL30151LDG1	32 Pin QFN	Trays
ZL30151LDF1	32 Pin QFN	Tape and Reel

Matte Tin

Package size: 5 x 5 mm

-40°C to +85°C

- In 2xCMOS mode, the P and N pins can be different frequencies (e.g. 125MHz and 25MHz)
- Per-output supply pin with CMOS output voltages from 1.5V to 3.3V
- Precise output alignment circuitry and per-output phase adjustment
- Per-output enable/disable and glitchless start/stop (stop high or low)
- **General Features**
 - Automatic self-configuration at power-up from internal EEPROM; up to four configurations pin-selectable
 - Numerically controlled oscillator mode
 - Zero-delay mode with external feedback
 - SPI or I2C processor Interface
 - Easy-to-use evaluation software

Applications

- Telecom line cards for SONET/SDH, PDH, Synchronous Ethernet, Fibre Channel
- Broadcast video equipment
- Frequency conversion and frequency synthesis in a wide variety of equipment types

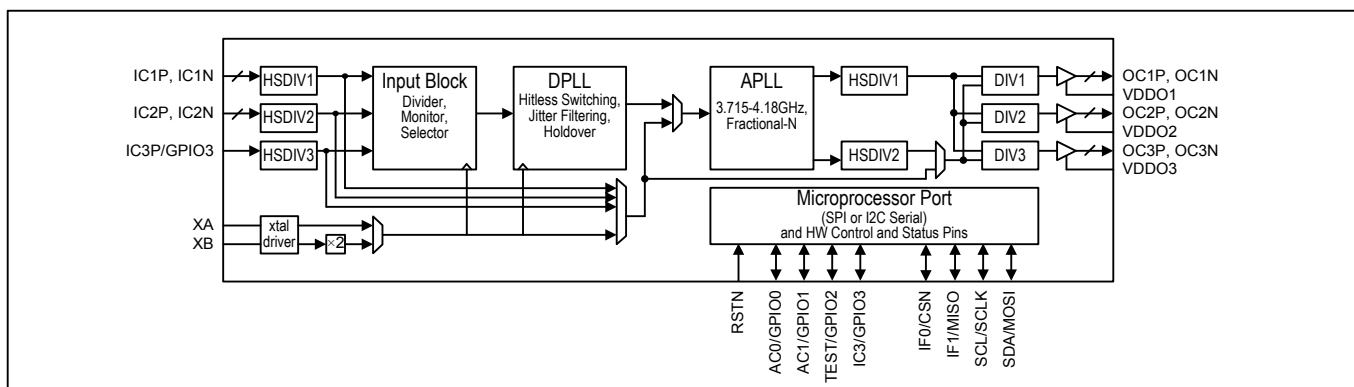


Figure 1 - Functional Block Diagram

1. Application Examples

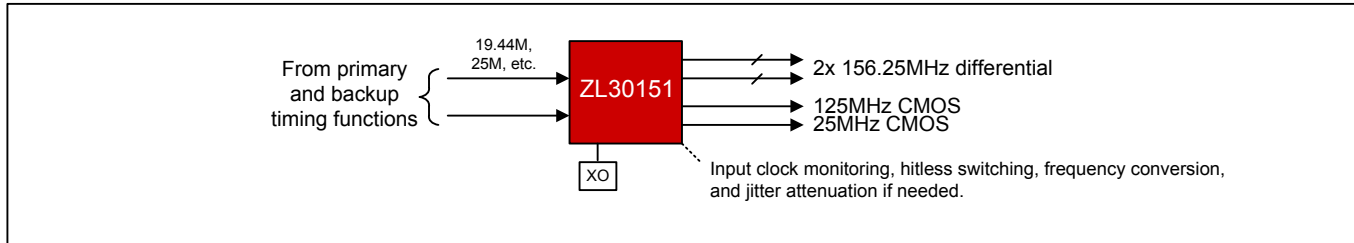


Figure 2 - Telecom SyncE Line Card Application

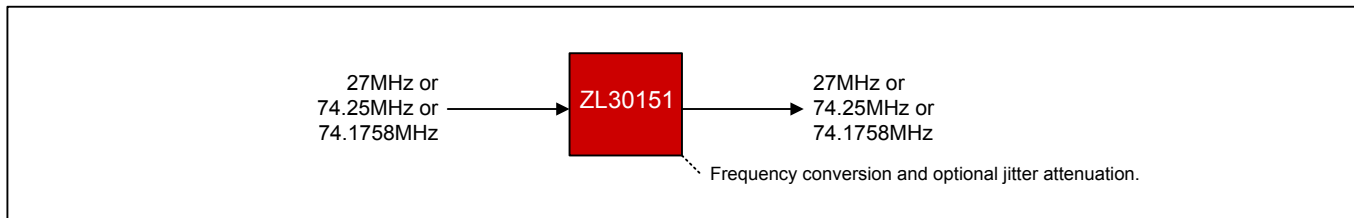


Figure 3 - Broadcast Video Frequency Conversion Application

2. Detailed Features

2.1 Input Block Features

- Three input clocks, two differential or single-ended, one single-ended
- Input clocks can be any frequency from 1kHz up to 650MHz (differential) or 300MHz (single-ended)
- Supported telecom frequencies include PDH, SDH, Synchronous Ethernet, OTN, wireless
- Inputs constantly monitored by programmable activity monitors and frequency monitors
- Fast activity monitor can disqualify the selected reference after a few missing clock cycles
- Frequency measurement and monitoring with 1ppm resolution and accept/reject hysteresis
- Optional input clock invalidation on GPIO assertion to react to LOS signals from PHYs

2.2 DPLL Features

- Very high-resolution DPLL architecture
- State machine automatically transitions between free-run, locked, and holdover states
- Revertive or nonrevertive reference selection algorithm
- Programmable bandwidth from 1Hz to 500Hz
- Programmable phase-slope limiting
- Programmable frequency rate-of-change limiting
- Programmable tracking range (i.e. hold-in range)
- Truly hitless reference switching with <200ps output clock phase transient
- Output phase adjustment in 10ps steps
- High-resolution frequency and phase measurement
- Fast detection of input clock failure and transition to holdover mode
- Holdover frequency averaging with programmable averaging time and delay time
- Better than 100ppb initial holdover accuracy

2.3 APLL Features

- Very high-resolution fractional scaling (i.e. non-integer multiplication)
- Any-to-any frequency conversion with 0ppm error
- Two high-speed dividers (integers 4 to 15, half divides 4.5 to 7.5)
- Easy-to-configure, completely encapsulated design requires no external VCXO or loop filter components
- Bypass mode supports system testing

2.4 Output Clock Features

- Three low-jitter output clocks
- Each output can be one differential output or two CMOS outputs
- Output clocks can be any frequency from 1Hz to 650MHz (250MHz max for CMOS and HSTL outputs)
- Output jitter is typically 0.16 to 0.28ps RMS (12kHz to 20MHz)
- In CMOS mode, an additional divider allows the OCxN pin to be an integer divisor of the OCxP pin (Example 1: OC3P 125MHz, OC3N 25MHz. Example 2: OC2P 25MHz, OC2N 1Hz)
- Outputs easily interface with CML, LVDS, LVPECL, HSTL, SSTL, HCSL and CMOS components
- Supported telecom frequencies include PDH, SDH, Synchronous Ethernet, OTN
- Can produce clock frequencies for microprocessors, ASICs, FPGAs and other components
- Can produce PCIe clocks (PCIe gen. 1, 2 and 3)
- Sophisticated output-to-output phase alignment
- Per-output phase adjustment with high resolution and unlimited range
- Per-output enable/disable
- Per-output glitchless start/stop (stop high or low)

2.5 General Features

- SPI or I²C serial microprocessor interface
- Automatic self-configuration at power-up from internal EEPROM memory; pin control to specify one of four stored configurations
- Numerically controlled oscillator (NCO) mode allows system software to steer DPLL frequency with resolution better than 0.01ppb
- Zero-delay buffer configuration using an external feedback path
- Four general-purpose I/O pins each with many possible status and control options
- Can operate as DPLL+APLL for jitter filtering and hitless switching or as APLL only
- Local oscillator can be fundamental-mode crystal or low-cost XO
- Internal compensation for local oscillator frequency error

2.6 Evaluation Software

- Simple, intuitive Windows-based graphical user interface
- Supports all device features and register fields
- Makes lab evaluation of the ZL30151 quick and easy
- Generates configuration scripts to be stored in internal EEPROM
- Generates full or partial configuration scripts to be run on a system processor
- Works with or without a ZL30151 evaluation board



Microsemi Corporate Headquarters
One Enterprise, Aliso Viejo CA 92656 USA
Within the USA: +1 (949) 380-6100
Sales: +1 (949) 380-6136
Fax: +1 (949) 215-4996
Email: sales.support@microsemi.com

Microsemi Corporation (NASDAQ: MSCC) offers a comprehensive portfolio of semiconductor and systems solutions for: communications, defense and security, aerospace and industrial markets. Products include high-performance and radiation-hardened analog mixed-signal integrated circuits, FPGAs, SoCs and ASICs; power management products; timing and synchronization devices and precise time solutions, setting world's standard for time; voice processing devices; RF solutions; discrete components; security technologies and scalable anti-tamper products; Power-over-Ethernet ICs and midspans; as well as customer design capabilities and services. Microsemi is headquartered in Aliso Viejo, Calif. and has approximately 3,400 employees globally. Learn more at www.microsemi.com.

© 2014 Microsemi Corporation. All rights reserved. Microsemi and the Microsemi logo are trademarks of Microsemi Corporation. All other trademarks and service marks are the property of their respective owners.