

LE79124 PRODUCT PROFILE

Next Generation Carrier Chipset (NGCC) Voice Control Processor (VCP)

PRODUCT STATUS PRODUCTION

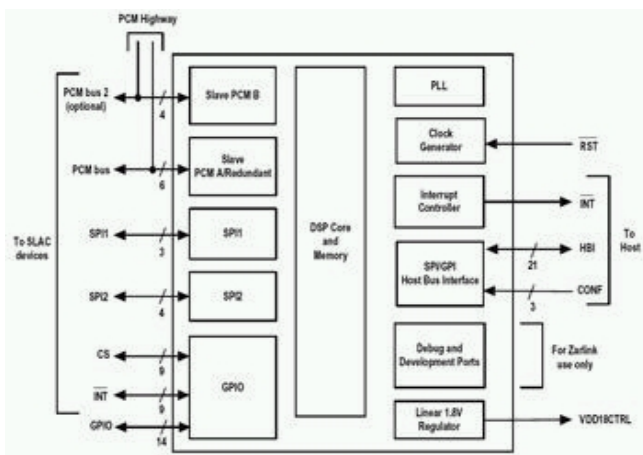
- ? [Overview](#)
- ? [Technical Documents](#)
- ? [Tools & Software](#)
- ? [Applications](#)
- ? [Packaging & availability](#)
- ? [Support](#)
- ? [Where to Buy](#)

The Le79124 Next Generation VoiceEdge™ Control Processor (VCP) is a second generation platform that delivers enhanced call control, self-test and line test capabilities. This latest processor works with Zarlink NGCC devices using its SPI interface(s), PCM port(s), and GPIO. The Le79124 device provides the same integrated line-testing and feature-set as the Le79112 device, plus additional capabilities such as 4 channels of simultaneous line testing and 72 channels of improved POTS control.

This product enables the design of a low-cost, high performance, fully software programmable line interface with worldwide applicability. All AC, DC, and signaling parameters are programmable.

The Le79124 device is provided with extensive software and support, through the LineCare™ software suite, enabling the designer to develop a fully programmable solution in the least amount of time.

DETAILED BLOCK DIAGRAM (CLICK TO ENLARGE)



FEATURES & BENEFITS

- ? Aggregated call control lowers demand on host microprocessor
 - ? 72 channels of call control
- ? Provides expanded line and circuit testing in conjunction with Zarlink's NGCC chipset
 - ? Provides 4 channels of simultaneous line testing
- ? Software interface using VoicePath™ API -II
- ? Software downloadable, field upgradeable, expandable Serial and parallel host controller interface options
- ? Complete control of up to 9 Octal NGSLAC devices
 - ? Two master SPI ports
 - ? 32 General Purpose I/Os
 - ? 9 configured as chip selects
 - ? 9 configured for interrupts
- ? Two slave PCM highway ports
 - ? Single or dual PCM highways capable of operating up to 16.384 MHz
 - ? Separate test highway option
- ? Internal PLL and hardware network timing recovery for creating analog sampling clocks
- ? 3.3 V compliant I/O; Internal 3.3 V to 1.8 V linear regulator for the core logic

? [Access Infrastructure Application Preview Brochure](#)

? [VE792 Product Preview](#)

SOFTWARE URLS

- ? [LE79124SLBT: VCP2-VP792 Code Load - Basic Test](#)
- ? [LE79124SLATP: VCP2-VP792 Code Load - Advanced Test with Calibration](#)
- ? [LE79124SLAT: VCP2-VP792 Code Load - Advanced Test](#)

TYPICAL APPLICATIONS

- ? Cost effective voice solution for long or short loops providing POTS and integrated test capabilities
- ? Applications include: IVD, DLC, CO, Voice-enabled DSLAM, PBX/KTS, MSAP, MSAN

PRODUCT PACKAGING & AVAILABILITY

| Part Number | Package Type | Pin Count | Lead-Free Option | Shipping Option(s) | Lead Time(wks) | Status |
|-------------|--------------|-----------|------------------|--------------------|----------------|------------|
| LE79124KVC | TQFP | 128 | GREEN | Tray | 10-12 weeks | Production |
| LE79124KVCT | | | | TR | 10-12 weeks | Production |
| LE79124KVCT | TQFP | 128 | GREEN | TR | 10-12 weeks | Production |

PACKAGING INFORMATION

- ? [Soldering Profiles](#)
- ? [Moisture Sensitivity](#)
- ? [Shelf Life](#)
- ? [Reliability Data](#)

TECHNICAL SUPPORT

Registered users [click here](#) to access the service.

Not registered? [Register online](#) today and get access to all our technical support services.

[Forgot your password?](#)

Visit the [Contact Sales](#) page to find distributor, representative and Zarlink sales office contact information.

Related Products

| | |
|-------------------------|---------------------------------------------------------------------------------|
| LE79234 | Next Generation VoiceEdge Control Processor |
| LE79238 | Next Generation Carrier Chipset (NGCC) Octal SLAC (Codec) |
| LE79271 | Next Generation Carrier Chipset (NGCC) Subscriber Line Interface Circuit (SLIC) |