

## 1°C Multiple Temperature Sensor with Beta Compensation and Hottest of Thermal Zones

### PRODUCT FEATURES

Data Brief

#### General Description

The EMC1046/EMC1047 are high accuracy, low cost, System Management Bus (SMBus) temperature sensors. Advanced features such as Resistance Error Correction (REC), Beta Compensation (to CPU diodes requiring the BJT or transistor model) and automatic diode type detection combine to provide a robust solution for complex environmental monitoring applications.

Each device provides  $\pm 1^\circ$  accuracy for external diode temperatures and  $\pm 2^\circ\text{C}$  accuracy for the internal diode temperature. The EMC1046/EMC1047 monitors up to seven temperature channels (up to six external and one internal).

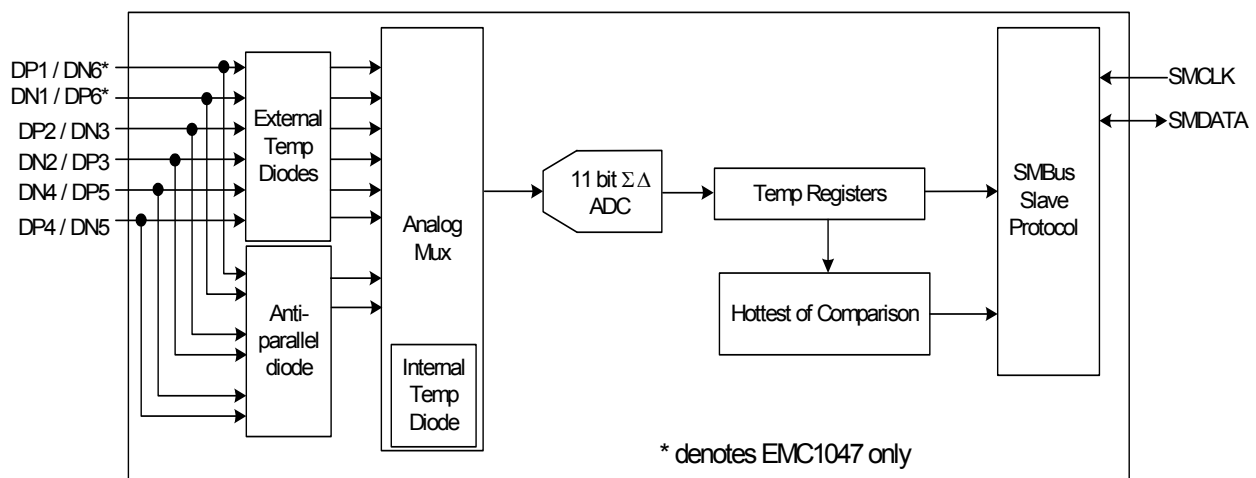
#### Applications

- Notebook Computers
- Desktop Computers
- Industrial
- Embedded Applications

#### Features

- Designed to support 45nm, 65nm, and 90nm CPU diodes
- Supports diodes requiring the BJT or transistor model
- Resistance Error Correction (up to 100 Ohms)
- Up to six External Temperature Monitors
  - $\pm 1^\circ\text{C}$  Accuracy ( $60^\circ\text{C} < T_{\text{DIODE}} < 100^\circ\text{C}$ )
  - 0.125°C Resolution
  - Supports up to 2.2nF filter capacitor
  - Anti-parallel diodes for extra diode support and compact design
- Internal Temperature Monitor
  - $\pm 2^\circ\text{C}$  accuracy
- 3.3V Supply Voltage
- Available in a 10-pin TSSOP lead-free RoHS Compliant package

#### Block Diagram



**ORDER NUMBERS:**

ORDERING NUMBER	PACKAGE	FEATURES	DIODE MODES SUPPORTED	SMBUS ADDRESS
EMC1046-1-AIZL-TR	10-pin TSSOP (Lead-Free RoHS Compliant)	Up to 5 external diodes. "Hottest Of" temperature comparison	Intel CPU, 3904, AMD with setup	1001_100(r/w)
EMC1046-6-AIZL-TR	10-pin TSSOP (Lead-Free RoHS Compliant)	Up to 5 external diodes. "Hottest Of" temperature comparison	Intel CPU, 3904, AMD with setup	1001_101(r/w)
EMC1047-1-AIZL-TR	10-pin TSSOP (Lead-Free RoHS Compliant)	Up to 6 external diodes. "Hottest Of" temperature comparison	Intel CPU, 3904, AMD with setup	1001_100(r/w)
EMC1047-2-AIZL-TR	10-pin TSSOP (Lead-Free RoHS Compliant)	Up to 6 external diodes. "Hottest Of" temperature comparison	Intel CPU, 3904, AMD with setup	1001_000(r/w)

Reel Size is 4,000 pieces



80 ARKAY DRIVE, HAUPPAUGE, NY 11788 (631) 435-6000, FAX (631) 273-3123

Copyright © 2009 SMSC or its subsidiaries. All rights reserved.

Circuit diagrams and other information relating to SMSC products are included as a means of illustrating typical applications. Consequently, complete information sufficient for construction purposes is not necessarily given. Although the information has been checked and is believed to be accurate, no responsibility is assumed for inaccuracies. SMSC reserves the right to make changes to specifications and product descriptions at any time without notice. Contact your local SMSC sales office to obtain the latest specifications before placing your product order. The provision of this information does not convey to the purchaser of the described semiconductor devices any licenses under any patent rights or other intellectual property rights of SMSC or others. All sales are expressly conditional on your agreement to the terms and conditions of the most recently dated version of SMSC's standard Terms of Sale Agreement dated before the date of your order (the "Terms of Sale Agreement"). The product may contain design defects or errors known as anomalies which may cause the product's functions to deviate from published specifications. Anomaly sheets are available upon request. SMSC products are not designed, intended, authorized or warranted for use in any life support or other application where product failure could cause or contribute to personal injury or severe property damage. Any and all such uses without prior written approval of an Officer of SMSC and further testing and/or modification will be fully at the risk of the customer. Copies of this document or other SMSC literature, as well as the Terms of Sale Agreement, may be obtained by visiting SMSC's website at <http://www.smisc.com>. SMSC is a registered trademark of Standard Microsystems Corporation ("SMSC"). Product names and company names are the trademarks of their respective holders.

**SMSC DISCLAIMS AND EXCLUDES ANY AND ALL WARRANTIES, INCLUDING WITHOUT LIMITATION ANY AND ALL IMPLIED WARRANTIES OF MERCHANTABILITY, FITNESS FOR A PARTICULAR PURPOSE, TITLE, AND AGAINST INFRINGEMENT AND THE LIKE, AND ANY AND ALL WARRANTIES ARISING FROM ANY COURSE OF DEALING OR USAGE OF TRADE. IN NO EVENT SHALL SMSC BE LIABLE FOR ANY DIRECT, INCIDENTAL, INDIRECT, SPECIAL, PUNITIVE, OR CONSEQUENTIAL DAMAGES; OR FOR LOST DATA, PROFITS, SAVINGS OR REVENUES OF ANY KIND; REGARDLESS OF THE FORM OF ACTION, WHETHER BASED ON CONTRACT; TORT; NEGLIGENCE OF SMSC OR OTHERS; STRICT LIABILITY; BREACH OF WARRANTY; OR OTHERWISE; WHETHER OR NOT ANY REMEDY OF BUYER IS HELD TO HAVE FAILED OF ITS ESSENTIAL PURPOSE, AND WHETHER OR NOT SMSC HAS BEEN ADVISED OF THE POSSIBILITY OF SUCH DAMAGES.**

# Package Outline

## EMC1046/EMC1047 Package Drawing

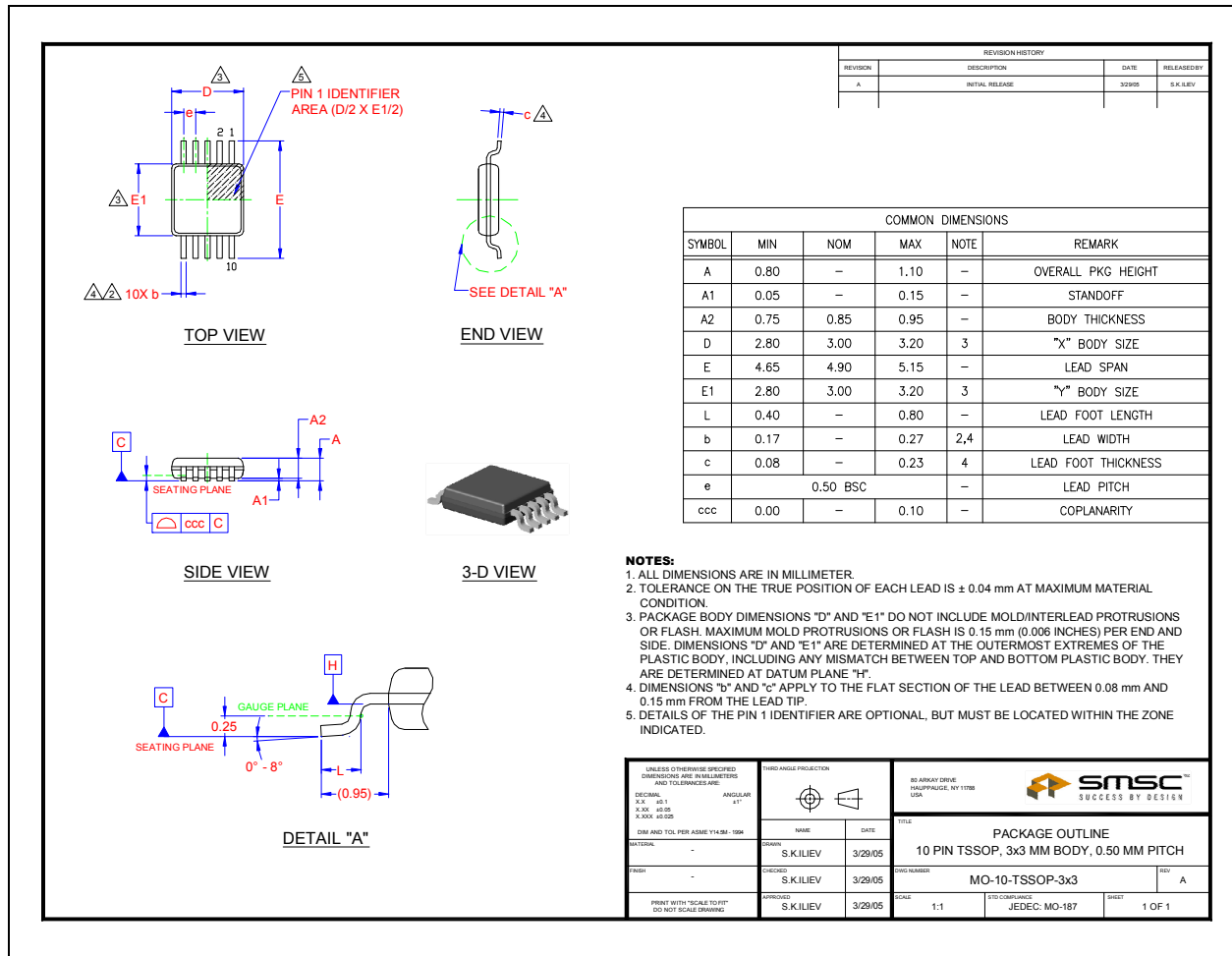


Figure 1 10-Pin TSSOP Package Drawing