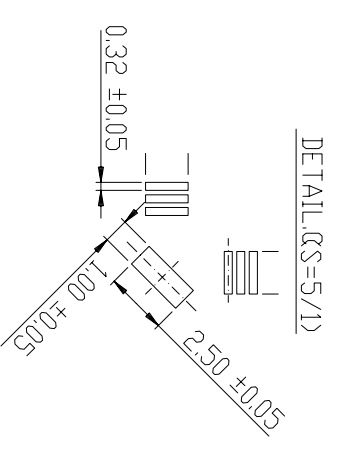
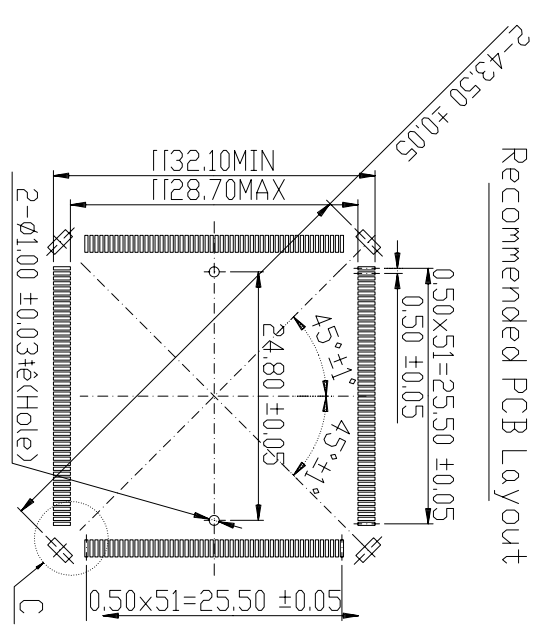
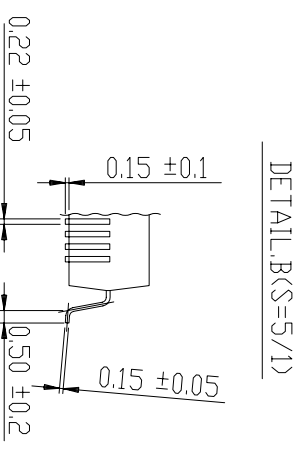
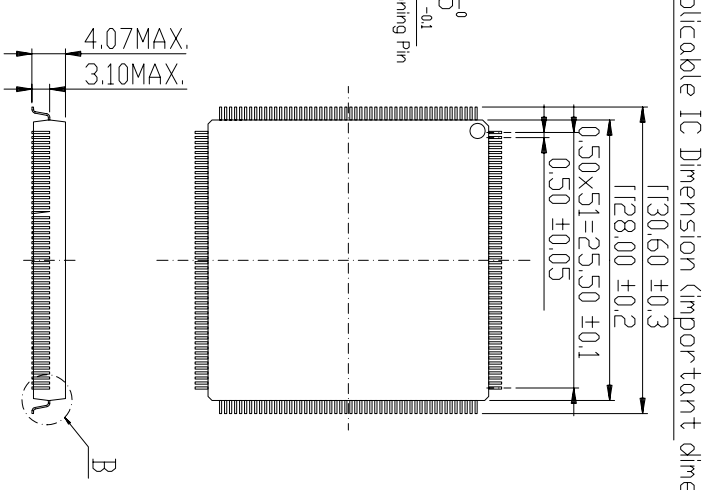
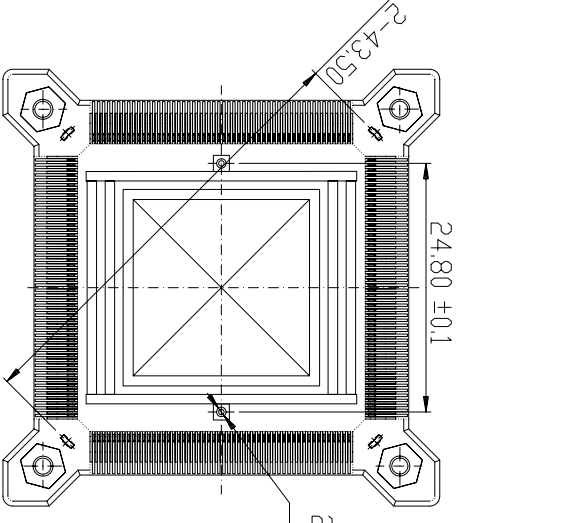
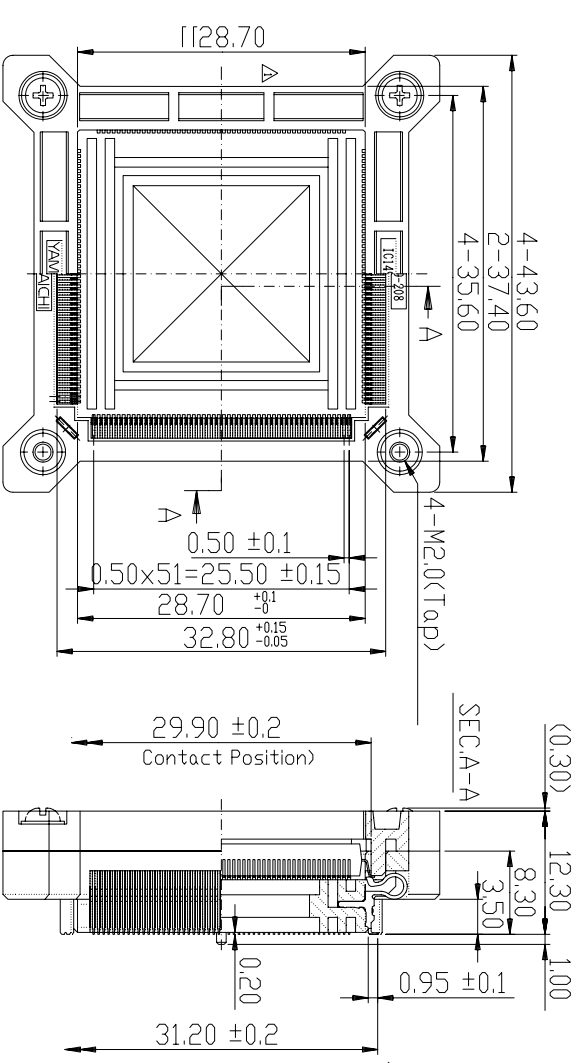


THE DRAWINGS AND INFORMATION CONTAINED HEREIN ARE THE EXCLUSIVE PROPERTY OF ACTEL. THE INFORMATION, DRAWINGS AND DESIGN CONCEPTS CONTAINED HEREIN ARE CONFIDENTIAL/PROPRIETARY SHALL BE MAINTAINED IN STRICT CONFIDENCE, AND SHALL NOT BE RELEASED TO ANY THIRD PARTY WITHOUT THE EXPRESS WRITTEN PERMISSION OF ACTEL.

ECN NO.	REV.	DESCRIPTION OF CHANGE	EFFECTIVE DATE	ORIGINATOR
2007353	0	Initial	01/15/2005	Lijie Zhao



1. Controlling dimensions are in millimeters.
2. Yamaichi Socket Part Number: IC149-208-161-B5

UNLESS OTHERWISE SPECIFIED DIMENSIONS ARE IN MILLIMETERS		PROJECTION		TITLE	
DECIMAL	ANGULAR			ACTEL CORPORATION 2061 Sterlin Court Mountain View, CA 94043-4655	
XX ± 0.10	± 1°	APPROVALS		TITLE	
X.XX ± 0.05		DRAWN Lijie Zhao		SY-PQG208, Yamaichi lead free prototype socket drawing for PQ208 and PQG208 packages	
X.XXX ± 0.03		CHECKED		VENDOR NAME: Yamaichi	
MATERIAL	SEE NOTES	ENG'R		ACTEL DWG. NUMBER: 1-07-11067	
FINISH	SEE NOTES	RELEASED		VENDOR SID(PART) NUMBER: IC149-208-161-B5	
DO NOT SCALE DRAWING				SCALE: NONE	
				SHEET 1 OF 1	