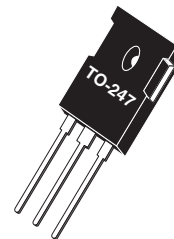
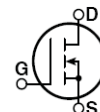



RF POWER MOSFET
 N-CHANNEL ENHANCEMENT MODE


Common Source



The ARF460A and ARF460B comprise a symmetric pair of common source RF power transistors designed for push-pull scientific, commercial, medical and industrial RF power amplifier applications up to 65MHz. They have been optimized for both linear and high efficiency classes of operation.

- Specified 125 Volt, 40.68MHz Characteristics:
 - Output Power = 150 Watts.
 - Gain = 13dB (Class AB)
 - Efficiency = 75% (Class C)
- Low Cost Common Source RF Package.
- Low V_{th} thermal coefficient.
- Low Thermal Resistance.
- Optimized SOA for Superior Ruggedness
- RoHS Compliant 


Maximum Ratings

 All Ratings: T_c = 25°C unless otherwise specified

Symbol	Parameter	ARF460AG/BG	Unit
V _{DSS}	Drain-Source Voltage	500	V
V _{DGO}	Drain-Gate Voltage	500	
I _D	Continuous Drain Current @ T _c = 25°C	14	A
V _{GS}	Gate-Source Voltage	±30	V
P _D	Total Power Dissipation @ T _c = 25°C	250	W
R _{θJC}	Junction to Case	0.50	°C/W
T _J , T _{STG}	Operating and Storage Junction Temperature Range	-55 to 150	°C
T _L	Lead Temperature: 0.063" from Case for 10 Sec.	300	

Static Electrical Characteristics

Symbol	Parameter	Min	Typ	Max	Unit
BV _{DSS}	Drain-Source Breakdown Voltage (V _{GS} = 0V, I _D = 250 μA)	500			V
V _{DS(ON)}	On State Drain Voltage ¹ (I _{D(ON)} = 7A, V _{GS} = 10V)			4	
I _{DSS}	Zero Gate Voltage Drain Current (V _{DS} = V _{DSS} , V _{GS} = 0V)			25	μA
	Zero Gate Voltage Drain Current (V _{DS} = 0.8V _{DSS} , V _{GS} = 0, T _c = 125°C)			250	
I _{GSS}	Gate-Source Leakage Current (V _{DS} = ±30V, V _{GS} = 0V)			±100	nA
g _{fs}	Forward Transconductance (V _{DS} = 25V, I _D = 7A)	3.3	5.5	8	mhos
V _{GS(TH)}	Gate Threshold Voltage (V _{DS} = V _{GS} , I _D = 50mA)	3		5	Volts

 **CAUTION:** These Devices are Sensitive to Electrostatic Discharge. Proper Handling Procedures Should Be Followed.

Dynamic Characteristics

ARF460AG/BG

Symbol	Parameter	Test Conditions	Min	Typ	Max	Unit
C_{ISS}	Input Capacitance	$V_{GS} = 0V$		1200	1400	pF
C_{OSS}	Output Capacitance	$V_{DS} = 150V$		150	180	
C_{RSS}	Reverse Transfer Capacitance	$f = 1MHz$		60	75	
$t_{d(ON)}$	Turn-on Delay Time	$V_{GS} = 15V$ $V_{DD} = 0.5V_{DSS}$ $I_D = I_{D[Cont.]} @ 25^\circ C$ $R_G = 1.6\Omega$		7		ns
t_r	Rise Time			6		
$t_{d(off)}$	Turn-off Delay Time			20		
t_f	Fall Time			4.0	7	

Functional Characteristics

Symbol	Characteristic	Test Conditions	Min	Typ	Max	Unit
G_{PS}	Common Source Amplifier Power Gain	$f = 40.68MHz$	13	15		dB
η	Drain Efficiency	$I_{dq} = 50mA$ $V_{DD} = 125V$	70	75		%
Ψ	Electrical Ruggedness VSWR 10:1	$P_{OUT} = 150W$	No Degradation in Output Power			

1. Pulse Test: Pulse width < 380 μS , Duty Cycle < 2%.

Microsemi reserves the right to change, without notice, the specifications and information contained herein.

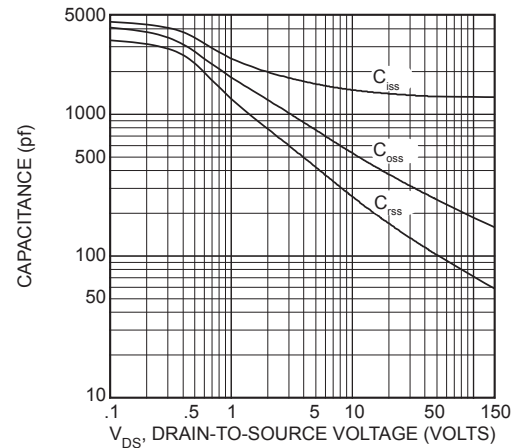


Figure 2, Typical Capacitance vs. Drain-to-Source Voltage

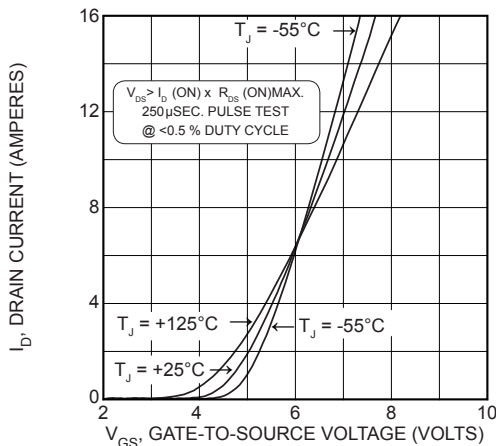


Figure 3, Typical Transfer Characteristics

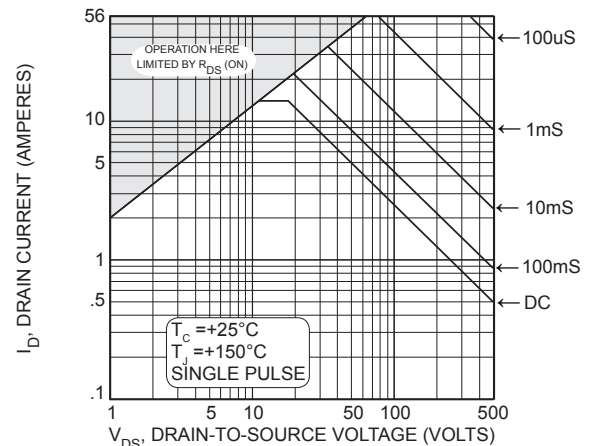


Figure 4, Typical Maximum Safe Operating Area

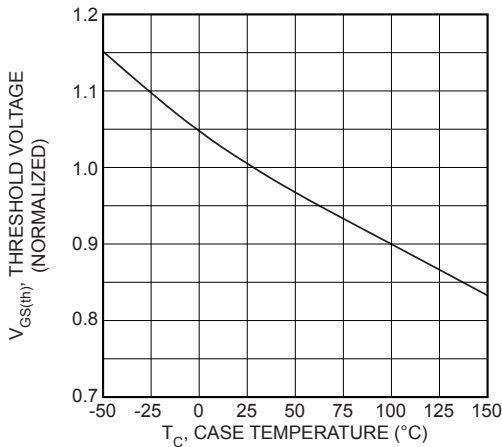


Figure 5, Typical Threshold Voltage vs Temperature

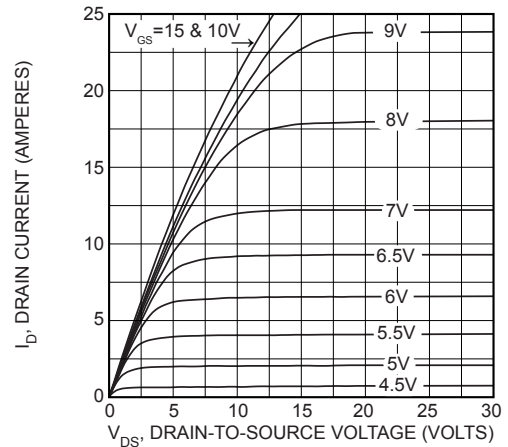


Figure 6, Typical Output Characteristics

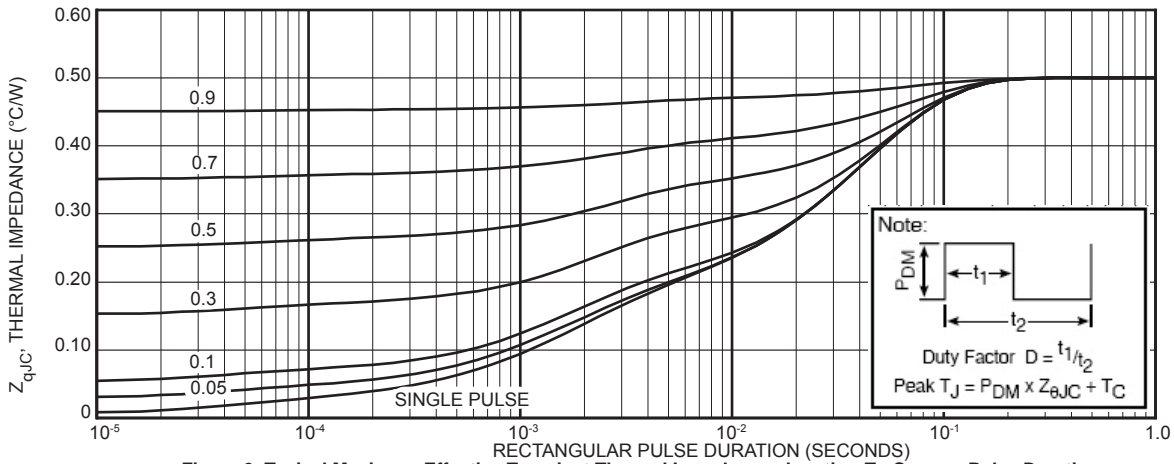


Figure 9, Typical Maximum Effective Transient Thermal Impedance, Junction-To-Case vs Pulse Duration

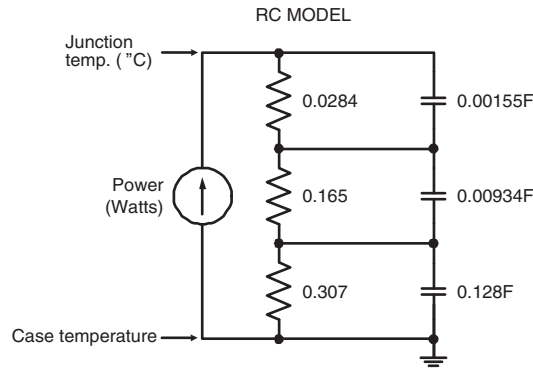
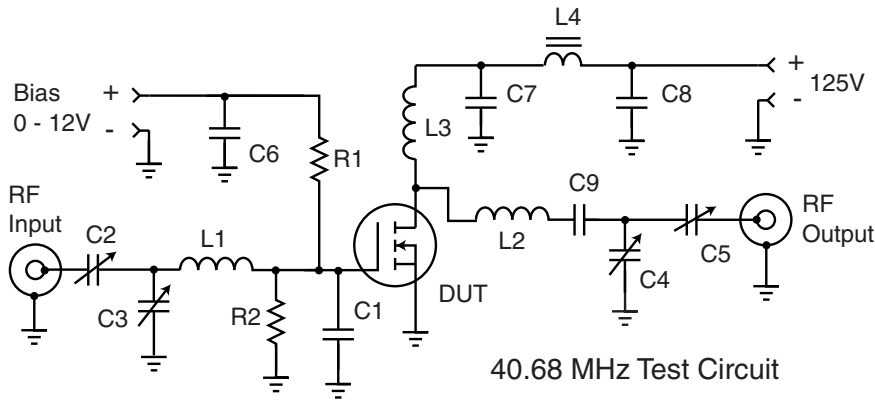


Figure 9a, TRANSIENT THERMAL IMPEDANCE MODEL

Table 1 - Typical Class AB Large Signal Input - Output Impedance

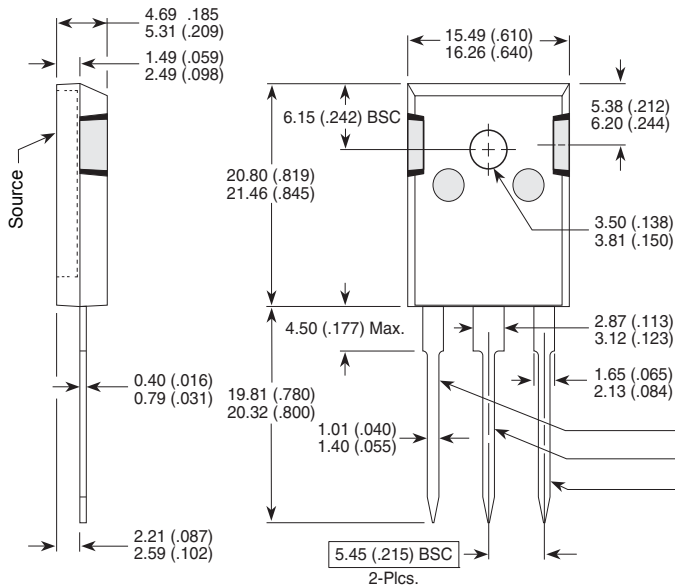
Freq. (MHz)	Z _{in} (Ω)	Z _{OL} (Ω)
2.0	20.9 - j 9.2	38 - j 2.6
13.5	2.4 - j 6.8	31 - j 14
27	.57 - j 2.6	19.6 - j 17.6
40	.31 - j 0.5	12.5 - j 15.8
65	.44 - j 1.9	6.0 - j 10.5

Z_{IN} - Gate shunted with 25Ω I_{dq} = 100mA
 Z_{OL} - Conjugate of optimum load for 150 Watts output at V_{dd}=125V



- C1 -- 2000 pF 100V NPO chip mounted at gate lead
- C2-C5 -- Arco 463 Mica trimmer
- C6-C8 -- .1 μF 500V ceramic chip
- C9 -- 2200 pF 500V chip
- L1 -- 4t #20 AWG .25"ID .3"L ~80nH
- L2 -- 6t #16 AWG .312" ID .4"L ~185nH
- L3 -- 15t #24 AWG .25"ID ~.85uH
- L4 -- VK200-4B ferrite choke 3uH
- R1-R2 -- 51 Ohm 0.5W Carbon
- DUT = ARF460A/B

TO-247 Package Outline



NOTE: These two parts comprise a symmetric pair of RF power transistors and meet the same electrical specifications. The device pin-outs are the mirror image of each other to allow ease of use as a push-pull pair.

Device	
ARF- A	ARF- B

Gate ----- Drain
 Source ---- Source
 Drain ----- Gate

Dimensions in Millimeters and (Inches)