



NPN Darlington Power Silicon Transistor

Qualified per MIL-PRF-19500/539

*Qualified Levels:
JAN, JANTX, and
JANTXV*

DESCRIPTION

This high speed NPN transistor is rated at 8 amps and is military qualified up to a JANTXV level. This TO-213AA isolated package features a 180 degree lead orientation.



**TO-213AA (TO-66)
Package**

Important: For the latest information, visit our website <http://www.microsemi.com>.

FEATURES

- JEDEC registered 2N6300 and 2N6301
- Hermetically sealed
- JAN, JANTX, and JANTXV qualifications are available per MIL-PRF-19500/539
- RoHS compliant versions available (commercial grade only)

APPLICATIONS / BENEFITS

- Convenient package
- Mechanically rugged
- Military, space and other high reliability applications

MAXIMUM RATINGS @ T_C = 25 °C unless otherwise stated

Parameters/Test Conditions	Symbol	Value	Unit	
Junction and Storage Temperature	T _J and T _{STG}	-55 to +200	°C	
Thermal Resistance Junction-to-Case	R _{θJC}	2.66	°C	
Collector-Base Voltage	V _{CBO}	2N6300	60	V
		2N6301	80	
Collector-Emitter Voltage	V _{CEO}	2N6300	60	V
		2N6301	80	
Emitter-Base Voltage	V _{EBO}	5	V	
Continuous Operating Collector Current	I _C	8	A	
Base Current	I _B	120	mA	
Total Power Dissipation ⁽¹⁾	P _T	@ T _C = 0 °C	75	W
		@ T _C = 100 °C	37	

NOTES: 1. Derate linearly at 0.428 W/°C above T_C > 0 °C.

MSC – Lawrence

6 Lake Street,
Lawrence, MA 01841
Tel: 1-800-446-1158 or
(978) 620-2600
Fax: (978) 689-0803

MSC – Ireland

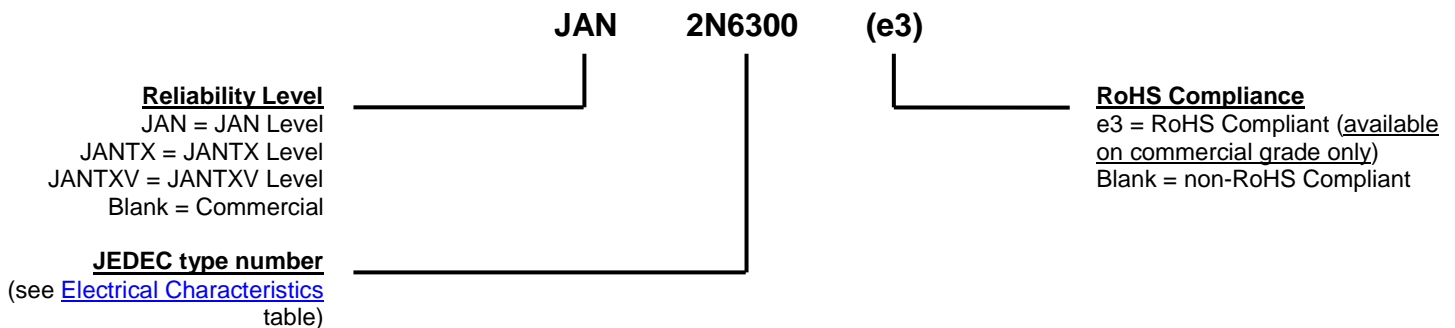
Gort Road Business Park,
Ennis, Co. Clare, Ireland
Tel: +353 (0) 65 6840044
Fax: +353 (0) 65 6822298

Website:

www.microsemi.com

MECHANICAL and PACKAGING

- CASE: Hermetic, TO-213AA package. Nickel plate with nickel cap.
- TERMINALS: Solder dipped (Sn63/Pb37) over nickel plated alloy 52. RoHS compliant matte-tin plating is also available on commercial grade only.
- MARKING: MSC, part number, date code, polarity symbol
- WEIGHT: Approximately 5.7 grams
- See [Package Dimensions](#) on last page.

PART NOMENCLATURE

SYMBOLS & DEFINITIONS

Symbol	Definition
I_B	Base current: The value of the dc current into the base terminal.
I_C	Collector current: The value of the dc current into the collector terminal.
I_E	Emitter current: The value of the dc current into the emitter terminal.
T_C	Case temperature: The temperature measured at a specified location on the case of a device.
V_{CB}	Collector-base voltage: The dc voltage between the collector and the base.
V_{CBO}	Collector-base voltage, base open: The voltage between the collector and base terminals when the emitter terminal is open-circuited.
V_{CC}	Collector-supply voltage: The supply voltage applied to a circuit connected to the collector.
V_{CE}	Collector-emitter voltage: The dc voltage between the collector and the emitter.
V_{CEO}	Collector-emitter voltage, base open: The voltage between the collector and the emitter terminals when the base terminal is open-circuited.
V_{EB}	Emitter-base voltage: The dc voltage between the emitter and the base
V_{EBO}	Emitter-base voltage, collector open: The voltage between the emitter and base terminals with the collector terminal open-circuited.

ELECTRICAL CHARACTERISTICS @ 25 °C unless otherwise stated

Parameters / Test Conditions	Symbol	Min.	Max.	Unit
ON CHARACTERISTICS				
Collector-Emitter Breakdown Voltage $I_C = 100 \text{ mA}$	2N6300 2N6301 $V_{(BR)CEO}$	60 80		V
Collector-Emitter Cutoff Current $V_{CE} = 60 \text{ V}, V_{BE} = 1.5 \text{ V}$ $V_{CE} = 80 \text{ V}, V_{BE} = 1.5 \text{ V}$	2N6300 2N6301 I_{CEX}		10	μA
Collector-Emitter Cutoff Current, Base Open $V_{CE} = 30 \text{ V}$ $V_{CE} = 40 \text{ V}$	2N6300 2N6301 I_{CEO}		0.5	mA
Emitter-Base Cutoff Current $V_{EB} = 5 \text{ V}$	I_{EBO}		2.0	mA
Forward Current Transfer Ratio $I_C = 1 \text{ A}, V_{CE} = 3 \text{ V}$ $I_C = 4 \text{ A}, V_{CE} = 3 \text{ V}$ $I_C = 8 \text{ A}, V_{CE} = 3 \text{ V}$	h_{FE}	500 750 100	18000	
Collector-Emitter Saturation Voltage $I_C = 4.0 \text{ A}, I_B = 16 \text{ mA}$ $I_C = 8.0 \text{ A}, I_B = 80 \text{ mA}$	$V_{CE(sat)}$		2.0 3.0	V
Base-Emitter Saturation Voltage $V_{CE} = 3.0 \text{ V}, I_C = 4 \text{ A}$ $I_C = 8.0 \text{ A}, I_B = 80 \text{ mA}$	$V_{BE(sat)}$		2.8 4.0	V

DYNAMIC CHARACTERISTICS

Parameters / Test Conditions	Symbol	Min.	Max.	Unit
Magnitude of Common Emitter Small-Signal Short-Circuit Forward Current Transfer Ratio $V_{CE} = 3.0 \text{ V}, I_C = 3.0 \text{ A}, f = 1 \text{ MHz}$	$ h_{fe} $	25	350	
Common Emitter Small-Signal Short-Circuit Forward Current Trans-Ratio $V_{CE} = 3 \text{ V}, I_C = 3 \text{ A}, f = 1 \text{ kHz}$	h_{fe}	300		
Common Base Output $V_{CB} = 10 \text{ V}, I_E = 0 \text{ A}, 100 \text{ kHz} \leq f \leq 1 \text{ MHz}$	C_{obo}		200	pF

ELECTRICAL CHARACTERISTICS @ $T_C = 25^\circ\text{C}$ unless otherwise noted. (continued)**SWITCHING CHARACTERISTICS**

Parameters / Test Conditions	Symbol	Min.	Max.	Unit
Turn-On time $V_{CC} = 30\text{ V}, I_C = 4\text{ A}, I_{B1} = 16\text{ mA}$	t_{on}		2.0	μs
Turn-Off time $V_{CC} = 30\text{ V}, I_C = 4\text{ A}, I_{B1} = -I_{B2} = 16\text{ mA}$	t_{off}		8.0	μs

SAFE OPERATING AREA (See [Figures 1 and 2](#) and [MIL-STD-750, Test Method 3053](#))**DC Tests** $T_C = +25^\circ\text{C}, t = 1\text{ second}, \text{duty cycle} \leq 10\%$ **Test 1** $V_{CE} = 8\text{ V}, I_C = 8\text{ A}$ **Test 2** $V_{CE} = 20\text{ V}, I_C = 2.0\text{ A}$ **Test 3** $V_{CE} = 60\text{ V}, I_C = 100\text{ mA}$ (2N6300) $V_{CE} = 80\text{ V}, I_C = 100\text{ mA}$ (2N6301)

SAFE OPERATING AREA

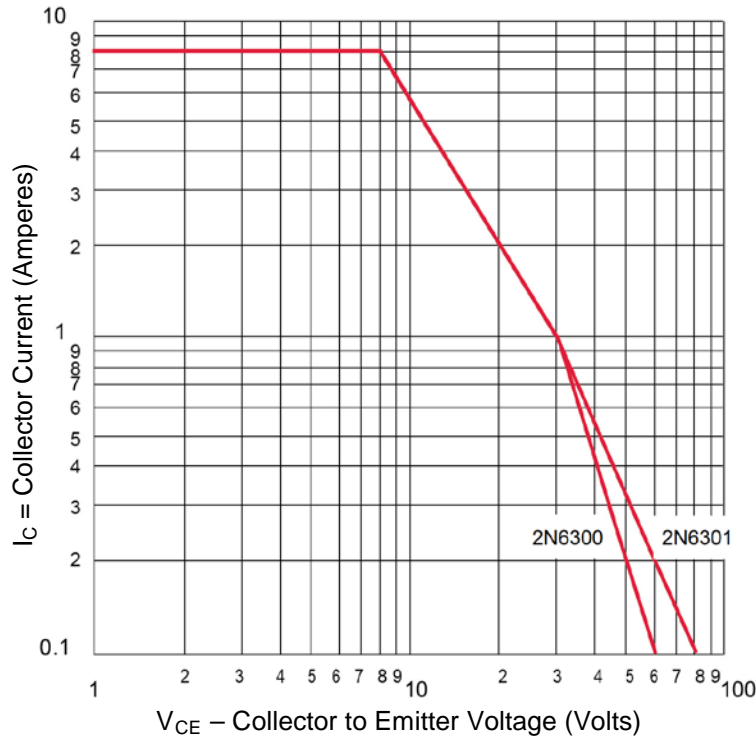


FIGURE 1 – Maximum Safe Operating Area (dc)

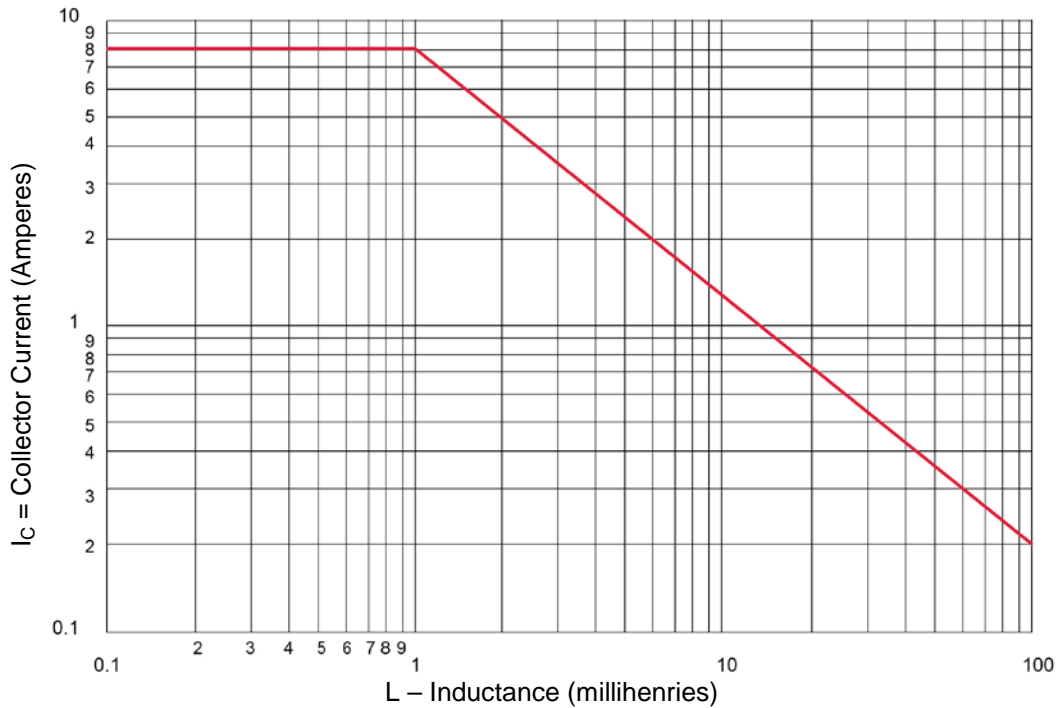
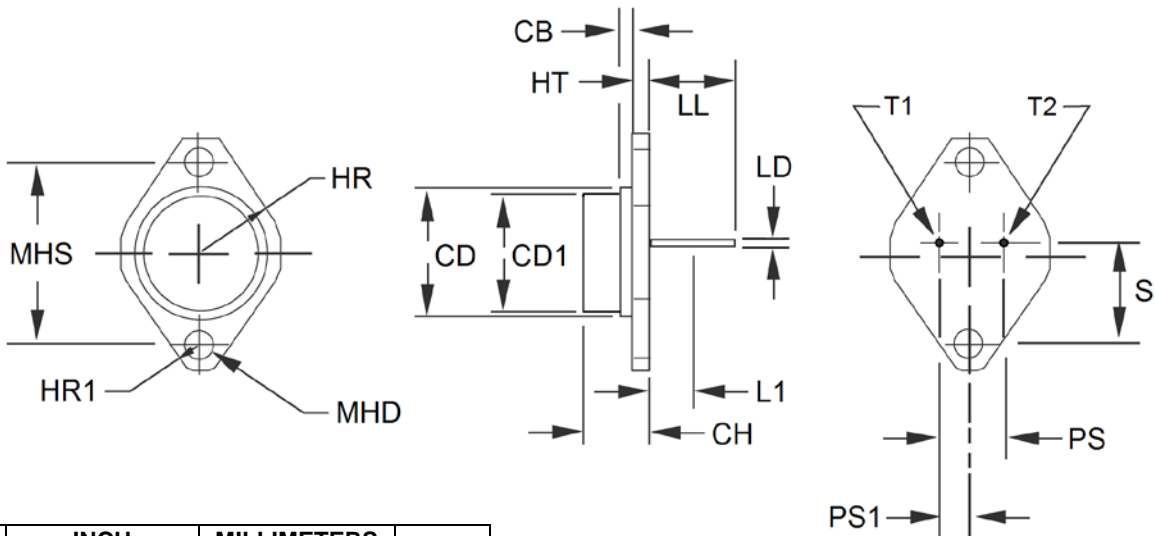


FIGURE 2 – Safe Operating Area for switching between saturation and cutoff (unclamped inductive load)

PACKAGE DIMENSIONS



DIM	INCH		MILLIMETERS		Notes
	MIN	MAX	MIN	MAX	
CB	0.470	0.500	11.94	12.70	
CD	-	0.620	-	15.76	
CH	0.250	0.340	6.35	8.64	
HR	-	0.350	-	8.89	
HT	0.050	0.075	1.27	1.91	
HR1	0.115	0.145	2.92	3.68	4
LD	0.028	0.034	0.71	0.86	4, 6
LL	0.360	0.500	9.14	12.70	
L1	-	0.050	-	1.27	6
MHD	0.142	0.152	3.61	3.86	4
MHS	0.958	0.962	24.33	24.43	
PS	0.190	0.210	4.83	5.33	3
PS1	0.093	0.107	2.36	2.73	3
S	0.570	0.590	14.48	14.99	
T1	Base				
T2	Emitter				
Case	Collector				

NOTES:

- Dimensions are in inches.
- Millimeters are given for information only.
- These dimensions should be measured at points 0.050 inch (1.27 mm) +0.005 inch (0.13 mm) -0.000 inch (0.00 mm) below seating plane. When gauge is not used, measurement will be made at the seating plane.
- Two places.
- The seating plane of the header shall be flat within 0.001 inch (0.03 mm) concave to 0.004 inch (0.10 mm) convex inside a 0.930 inch (23.62 mm) diameter circle on the center of the header and flat within 0.001 inch (0.03 mm) concave to 0.006 inch (0.15 mm) convex overall.
- Lead diameter shall not exceed twice LD within L1.
- Lead number 1 is the emitter, lead 2 is the base, case is the collector.
- In accordance with ASME Y14.5M, diameters are equivalent to Φx symbology.

SCHEMATIC

