

SA.31m, SA.33m, and SA.35m

Miniature Atomic Clock (MAC) SA.3Xm



Features

- High-precision atomic clock
- Small form factor (standard OCXO pinout)
- 1.5 μ s typical holdover over temperature (SA.35m)
- Low power consumption
- RoHs 6/6-compliant

Applications

- Stand-alone (free-run) stable frequency source for audio equipment, LTE base stations, smart grid, and enterprise network Infrastructure
- Extended holdover for CDMA and WiMAX base stations
- Stability for various other communication and transmission applications

Newly Enhanced MAC SA.3Xm Family

The Microsemi SA.3Xm marks a major step forward in the evolution of rubidium atomic clocks. Based on a new generation of atomic clock technology, the SA.3Xm family has a unique package that enables unprecedented miniaturization in a rubidium clock. It is suitable for applications requiring compact design, low power consumption, extended aging, and precision in an economical and easily adaptable package.

Smallest Commercially Available Rubidium Clock

Microsemi has leveraged the significant advances in miniaturization and integration to design the world's first commercially available miniature atomic clock. The SA.3Xm has physical dimensions and packaging of a small ovenized crystal oscillator (OCXO), measuring 50.8 mm x 50.8 mm (2" x 2") and standing at a mere 18.3 mm (0.72"). The MAC is the world's first commercially available rubidium coherent population trapping atomic clock. It consumes less power and has wide-spectrum temperature operation. This makes it useful for a range of timing and synchronization applications—wireless base stations, wire line network infrastructure, defense systems, and test and measurement devices. The small size of the SA.3Xm enables it to be easily mounted to a PCBA.

MAC

Microsemi invented portable atomic timekeeping with the world's first family of miniature and chip scale atomic clocks.

Choose MAC for best-in-class stability, size, weight, and power consumption.

SA.31m

The SA.31m is targeted for applications that require an economical solution for frequency stability, such as audio equipment in studio applications. It can also be used as an independent frequency source for next generation base stations, smart grid infrastructure and Enterprise network infrastructure. It enables transition from costly TDM backhaul transport to economic and efficient Ethernet transport.

SA.33m

The SA.33m has superior aging and tempco, and better stability and phase noise than the SA.31m. The SA.33m may be deployed in existing rubidium applications such as extended holdover (for CDMA/CDMA 2000 or WiMAX).

SA.35m

The SA.35m is the premium grade of the entire SA.3Xm family. It has the best tempco and greatest performance amongst all the versions of the family. The SA.35m is suited for applications such as extended hold over for LTE-TDD base stations and other applications that require precision frequency and long hold-over. Economical for its performance level, the SA.35m delivers premium performance at an excellent price.

SA.31m, SA.33m, and SA.35m

Miniature Atomic Clock (MAC) SA.3Xm

MAC SA.3Xm Mechanical Diagram

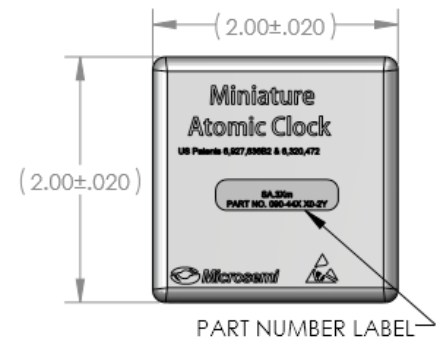
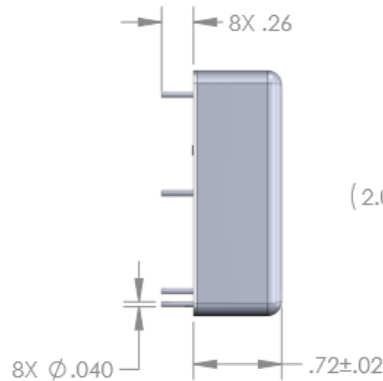
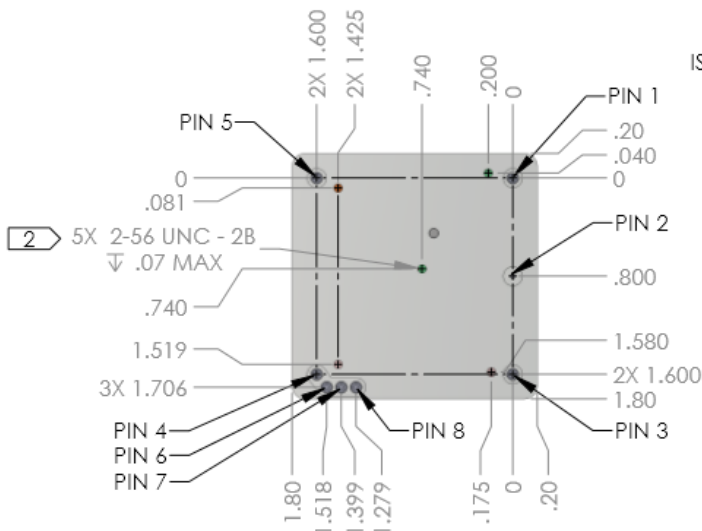
NOTES:

1. DIMENSIONING AND TOLERANCING PER ANSI Y14.5.
2. CAUTION: SCREW PENETRATION OF MORE THAN .07 INTO BASEPLATE COULD RESULT IN DAMAGE TO THIS DEVICE.
3. WEIGHT: LESS THAN 3 OZ.



ISOMETRIC VIEW

PIN NO.	FUNCTION
1	INPUT FREQUENCY CONTROL
2	CASE GROUND
3	RF OUTPUT
4	GROUND (SUPPLY AND SIGNAL)
5	INPUT SUPPLY (+5VDC)
6	BI-TONE
7	RS-232 TX
8	RS-232 RX



Note: Connect Pin 2 to GND externally. Pin 2 and Pin 4 are not connected together internally.

SA.31m, SA.33m, and SA.35m

Miniature Atomic Clock (MAC) SA.3Xm

Specifications¹

Electrical

RF Output

- Frequency 10 MHz
- Waveform CMOS square wave, 0 V_{DC}–5 V_{DC(max)}
- Logic level V_{OL(max)} 0.55 V, V_{OH(min)} 2.3 V
- Rise/fall time <10 ns (15 pf, 1MΩ load)
- Duty cycle 50% ± 10%

Built-in Test Equipment Output

- Format CMOS
- Logic 0 = Normal Operation
1 = Alarm

Serial Communications

- Protocol RS232
- Format CMOS 0 V to 5 V_{DC}
- Baud rate 57600 (8, N, 1)

Power Input

- Supply voltage/current 5 V_{DC} ± 0.1 V_{DC}, max current <2.8 A
- Power consumption Warm-up: 14 W max (–10 °C to 75 °C)
Operating: 8 W at 10 °C, 5 W at 25 °C, 5 W at 75 °C baseplate
- Voltage coefficient <2 × 10⁻¹¹ peak-to-peak (+5 V_{DC} ± 0.1 V_{DC})

Environmental

- Operating temperature –10 °C to 75 °C baseplate
- Magnetic field sensitivity <±7 × 10⁻¹¹/Gauss (up to ±2 Gauss)
- Humidity GR-63-CORE, issue 4, April 2012, section 4.1.2
- Vibration (operating) 7.7 g_{rms}, at 1 hour/axis MIL-STD-810, figure 514.7E-1, category 24 (General Minimum Integrity Exposure) No loss of lock
- Shock (operating) 30 g, 11 ms half-sine pulse per MIL-STD-202, Method 213, Test Condition J. Frequency perturbation ≤4 × 10⁻⁹ momentary

Storage and Transport (Non-operating)

- Temperature –55 °C to 100 °C
- Vibration (non-operating, unpackaged) 10.9 g_{rms} at 1 hour/axis per MIL-STD-810, figure 514.7E-1, Cat 24
- Shock (non-operating, unpackaged) 50 g, 11 ms half-sine pulse per MIL-STD-202, Method 213, Test Condition A

Performance Parameters

- Warm-up time <15 min (typical at 25 °C) (time to <1 × 10⁻⁹)
- Retrace <±5 × 10⁻¹¹ (on-off-on: 24 hours, 48 hours, 12 hours at 25 °C)
- Analog tuning Range: ±1 × 10⁻⁸
Input: 0 V–5 V into 5 kΩ
- Digital tuning Range: ±2 × 10⁻⁸
(resolution ±1 × 10⁻¹²)
- Time drift in a 24 hr period (SA.35m) 1.5 μs, typical (–10 °C to 70 °C, 16 °C/hr)
- MTBF Per MIL-HDBK-217F:
 - ≥20 years at 40 °C (ground, benign, GB)
 - ≥17 years at 40 °C (ground, fixed, GF)
 Per Telcordia SR-332, Issue 1:
 - ≥20 years at 40 °C (ground, fixed, uncontrolled)
- Accuracy at shipment <±5 × 10⁻¹¹ (25 °C)

¹At 25 °C and 5 V_{DC}, unless otherwise specified.

SA.31m, SA.33m, and SA.35m

Miniature Atomic Clock (MAC) SA.3Xm

Phase Noise (SSB)

Frequency	Sa.35/SA.33m	SA.31m
1 Hz	<-70 dBc/Hz	<-65 dBc/Hz
10 Hz	<-87 dBc/Hz	<-85 dBc/Hz
100 Hz	<-114 dBc/Hz	<-112 dBc/Hz
1 kHz	<-130 dBc/Hz	<-130 dBc/Hz
10 kHz	<-140 dBc/Hz	<-140 dBc/Hz

- Spurious (non-harmonic) <-85 dBc

Temperature Coefficient (Peak-to-Peak)

Temperature	SA.35m	SA.33m	SA.31m
0 °C to 70 °C	$\leq 7 \times 10^{-11}$	$\leq 1 \times 10^{-10}$	$\leq 7 \times 10^{-10}$
-10 °C to 75 °C	$\leq 1 \times 10^{-10}$	$\leq 1.5 \times 10^{-10}$	$\leq 1 \times 10^{-9}$

Aging

Type	SA.35m/SA.33m	SA.31m
Daily ²	$\pm 2.5 \times 10^{-11}$	$\pm 4 \times 10^{-11}$
Monthly ²	$\pm 1 \times 10^{-10}$	$\pm 3 \times 10^{-10}$
Yearly	$\pm 1 \times 10^{-9}$	$\pm 1.5 \times 10^{-9}$

²After 1 day and 1 month of operation, respectively.

Short-Term Stability (Allan Deviation)

Type	SA.35m/SA.33m	SA.31m
t = 1 s	$\leq 3 \times 10^{-11}$	$\leq 5 \times 10^{-11}$
t = 10 s	$\leq 1.6 \times 10^{-11}$	$\leq 2.5 \times 10^{-11}$
t = 100 s	$\leq 8 \times 10^{-12}$	$\leq 1 \times 10^{-11}$

Physical

- Weight <85 g (<3 oz)
- Size 18.3 mm × 50.8 mm × 50.8 mm
- Volume <49.5 cm³ (< 3.0 in³)

RoHS Compliance

- 6/6 RoHS-compliant

Ordering Information

Part Number	Description ³
090-44310-31	SA.31m Rubidium Clock, AT Disabled
090-44310-32	SA.31m Rubidium Clock, AT Enabled
090-44330-31	SA.33m Rubidium Clock, AT Disabled
090-44330-32	SA.33m Rubidium Clock, AT Enabled
090-44350-31	SA.35m Rubidium Clock, AT Disabled
090-44350-32	SA.35m Rubidium Clock, AT Enabled
090-44300-00	SA.3Xm Developer's Kit

³AT = analog tuning



Microsemi Corporate Headquarters
 One Enterprise, Aliso Viejo, CA 92656 USA
 Within the USA: +1 (800) 713-4113
 Outside the USA: +1 (949) 380-6100
 Fax: +1 (949) 215-4996
 Email: sales.support@microsemi.com
 www.microsemi.com

©2016–2018 Microsemi Corporation. All rights reserved. Microsemi and the Microsemi logo are registered trademarks of Microsemi Corporation. All other trademarks and service marks are the property of their respective owners.

Microsemi Corporation (Nasdaq: MSCC) offers a comprehensive portfolio of semiconductor and system solutions for aerospace & defense, communications, data center and industrial markets. Products include high-performance and radiation-hardened analog mixed-signal integrated circuits, FPGAs, SoCs and ASICs; power management products; timing and synchronization devices and precise time solutions, setting the world's standard for time; voice processing devices; RF solutions; discrete components; enterprise storage and communication solutions, security technologies and scalable anti-tamper products; Ethernet solutions; Power-over-Ethernet ICs and midspans; as well as custom design capabilities and services. Microsemi is headquartered in Aliso Viejo, California and has approximately 4,800 employees globally. Learn more at www.microsemi.com.

Microsemi makes no warranty, representation, or guarantee regarding the information contained herein or the suitability of its products and services for any particular purpose, nor does Microsemi assume any liability whatsoever arising out of the application or use of any product or circuit. The products sold hereunder and any other products sold by Microsemi have been subject to limited testing and should not be used in conjunction with mission-critical equipment or applications. Any performance specifications are believed to be reliable but are not verified, and Buyer must conduct and complete all performance and other testing of the products, alone and together with, or installed in, any end-products. Buyer shall not rely on any data and performance specifications or parameters provided by Microsemi. It is the Buyer's responsibility to independently determine suitability of any products and to test and verify the same. The information provided by Microsemi hereunder is provided "as is, where is" and with all faults, and the entire risk associated with such information is entirely with the Buyer. Microsemi does not grant, explicitly or implicitly, to any party any patent rights, licenses, or any other IP rights, whether with regard to such information itself or anything described by such information. Information provided in this document is proprietary to Microsemi, and Microsemi reserves the right to make any changes to the information in this document or to any products and services at any time without notice.

900-00378-000. Revision K. 3/18