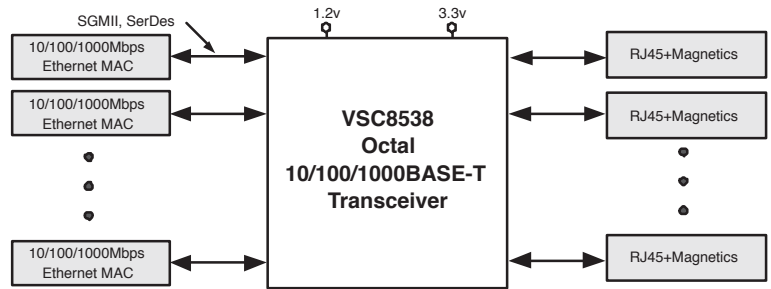


VSC8538

Octal Port 10/100/1000BASE-T PHY



APPLICATION DIAGRAM:



FEATURES:	BENEFITS:
▶ Extremely Low Power Consumption of 650mW / port (1000BASE-T mode) Enables Use of 27mm, 444-pin HS-BGA Package	▶ Lowers System Cost, Simplifies System Design, and Enables Single Row, High Port Density Switches
▶ Patented, Low EMI Line Driver with Integrated Line Side Termination Resistors	▶ Removes 384 Passive Components in 48-port Switch Applications
▶ Compliant with IEEE 802.3 (10BASE-T, 100BASE-TX, 1000BASE-T, 1000BASE-X) Specifications	▶ Ensures Seamless Deployment Throughout Copper Networks with Industry's Highest Tolerance to Noise and Substandard Cabling
▶ >16kB Jumbo Frame Support In All Speeds with Programmable Synchronization FIFOs	▶ Provides for Maximum Jumbo Frame Sizes in Custom SAN and LAN Systems
▶ Four Programmable Direct Drive LEDs per Port with On-chip Filtering and Bi-Color LED Support	▶ Eliminates External Components and Reduces EMI
▶ Serial LED Interface Option	▶ Provides Maximum System Design Flexibility
▶ Extensive Testability Features (Including Near End, Far End, and Connector Loopback, and Ethernet Packet Generator with CRC Error Counter)	▶ Decrease System Development Costs and System Deployment Costs, and Improve Time-to-Market
▶ Supports Cisco SGMII v1.7 and 1000BASE-X MACs, IEEE 1149.1 JTAG Boundary Scan, and IEEE 1149.6 AC-JTAG	▶ Multiple MAC Interfaces and Extensive JTAG Support Ease Manufacturing
▶ VeriPHY™ Cable Diagnostiscs	▶ Enable Network Manufacturers to Simplify Deployment and Improve Network Management Capabilities of Gigabit Ethernet Links

APPLICATIONS:

- ▶ 10/100/1000BASE-T Switches
- ▶ Gigabit Ethernet-based SAN, NAS, and MAN Systems
- ▶ ATCA™ 3.0 and PICMG™ 2.16 Ethernet Backplane Applications
- ▶ Multi-port Fiber to CAT-5 Media Converters

Octal Port 10/100/1000BASE-T PHY

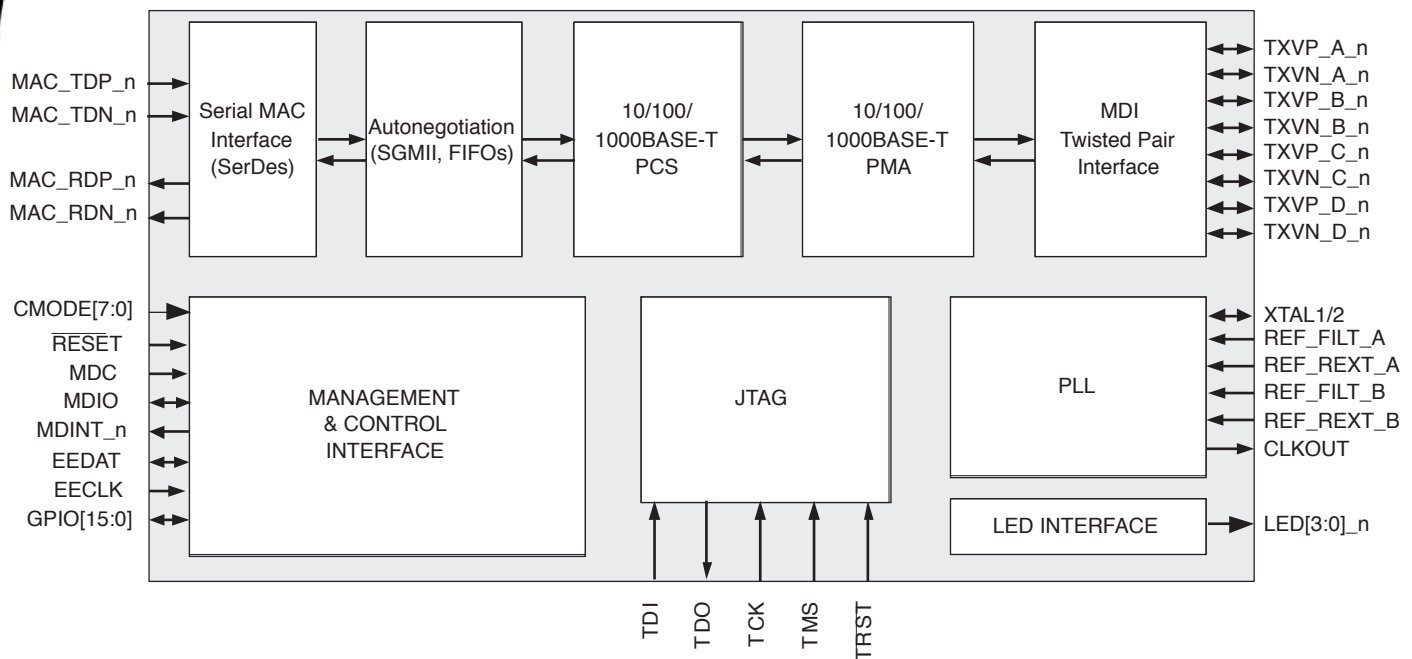
GENERAL DESCRIPTION:



The VSC8538 is a low power octal Gigabit Ethernet transceiver ideal for multi-port switch and router applications. The device's compact BGA package is optimal for high-density switch applications. Vitesse's mixed signal and

DSP architecture yield robust performance, supporting both full and half duplex 10BASE-T, 100BASE-TX, and 1000BASE-T over >140m of Category 5, unshielded twisted pair (UTP) cable, with industry leading tolerance to NEXT, FEXT, Echo, and system noise.

BLOCK DIAGRAM:



For more information on Vitesse Products visit the Vitesse web site at www.vitesse.com or contact Vitesse Sales at (800) VITESSE or sales@vitesse.com

©2005 Vitesse Semiconductor Corporation

Vitesse, ASIC-Friendly, FibreTimer, TimeStream and Snoop Loop are trademarks of Vitesse Semiconductor Corporation. All other trademarks or registered trademarks mentioned herein are the property of their respective holders. Vitesse Semiconductor Corporation ("Vitesse") retains the right to make changes to its products or specifications to improve performance, reliability or manufacturability. All information in this document, including descriptions of features, functions, performance, technical specifications and availability, is subject to change without notice at any time.

VITESSE®

741 Calle Plano
Camarillo, CA 93012, USA
Tel: +1 805.388.3700
Fax: +1 805.987.5896
www.vitesse.com