

SYNCHRONOUS BUCK CONVERTER LX1918 EVALUATION BOARD

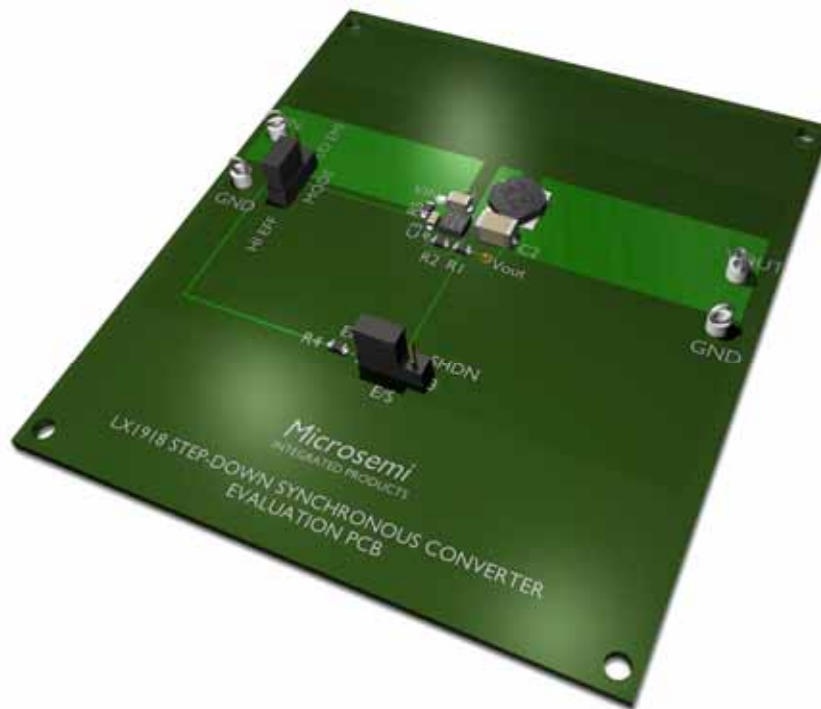


TABLE OF CONTENTS

LX1918 EVAL Introduction 3
Schematic for LX1918 Evaluation Board 4
Hook Up 5
Connections 6
Bill of Materials 6

INTRODUCING TO PRODUCT

The LX1918 Evaluation Board is available from Microsemi for demonstrating the performance of the LX1918 Synchronous Buck Converter.

KEY FEATURES

- 2.7V to 6.0V Input Range
- 1.5A Output Current
- 1Mhz free running or 500KHz to 1.25MHz Switching Frequency
- 0.6V Reference Voltage Adjustment
- PFM or PWM Mode
- EMI Support With Force PWM Mode
- Light Load Support: $I_{OUT} < 300mA$
- $> 95\%$ Efficiency
- Quiescent Current Typical $400\mu A$
- No External Schottky Diode
- Thermal Shutdown
- Cycle By Cycle Switch Current Limit
- UVLO Protection
- Current Limiting in Hiccup Mode
- 8-Pin MLP package ($3mm^2$)

APPLICATIONS

- Lower Power Embedded Applications
- WLAN Power Systems
- Portable Design with Single Cell Lilon or 3 Cell NiMH / NiCd
- Low Power Portable Storage Application

PART SPECIFIC INFORMATION

Part Number	Description
LX1918CLD	1.5A Step-Down Synchronous Converter

TABLE 1 – PART INFORMATION

IC	EVALUATION BOARDS
LX1918CLD	LX1918-LD EVAL

TABLE 2 – EVALUATION BOARD INFORMATION

SCHEMATIC FOR LX1918 EVAL

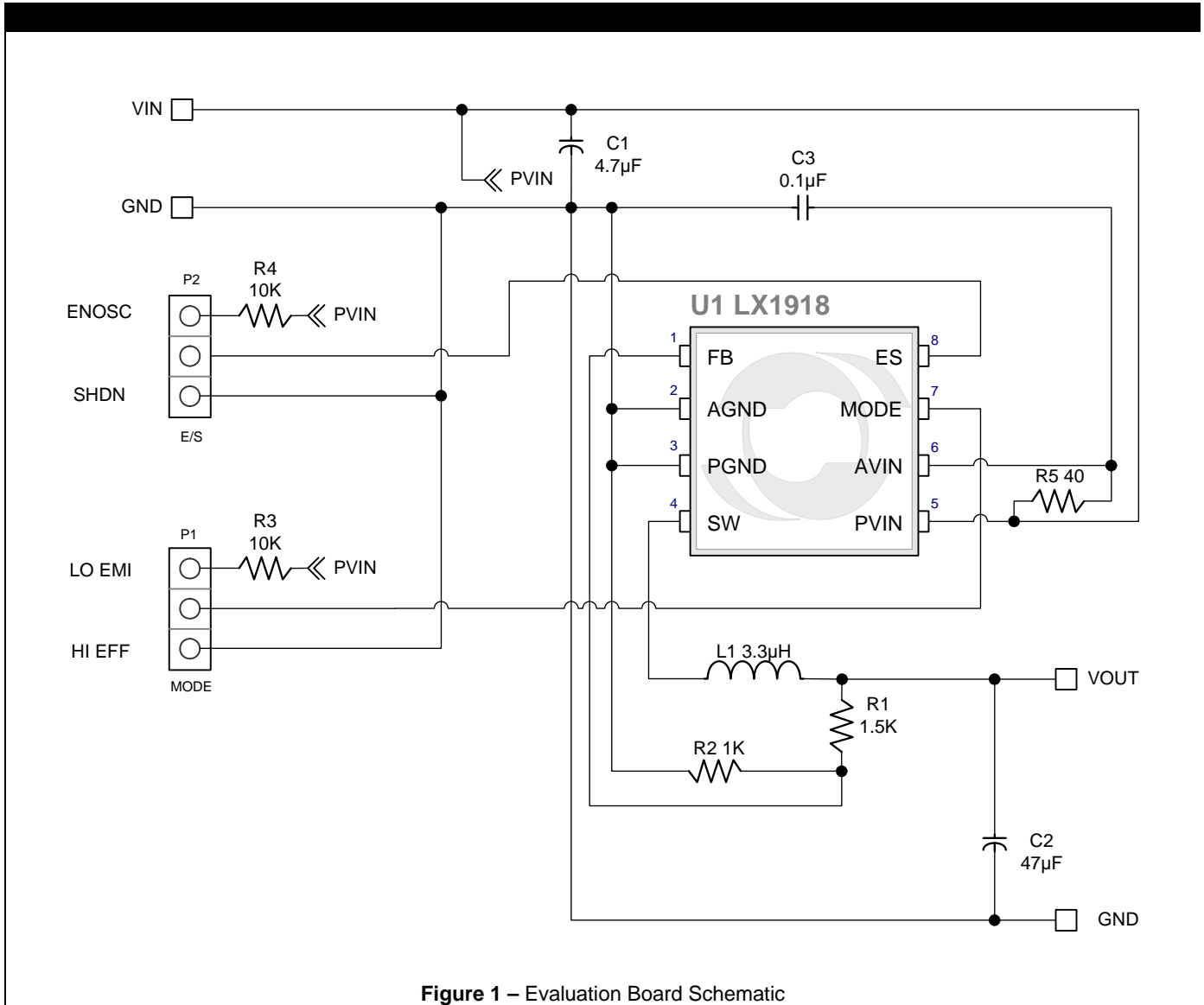


Figure 1 – Evaluation Board Schematic

LX1918 EVALUATION HOOK UP

The following is a demonstration scenario to be used for evaluating the LX1918.

HOOK UP DIRECTION

1. Place Mode Jumper in HI EFF (high efficiency) position.

2. Place E/S Jumper in ENOSC position.
3. Apply 3.6V / 2A input between VIN and GND.
4. Connect to Load capable of handling the prescribed output (Board is set to 1.5V output by default).

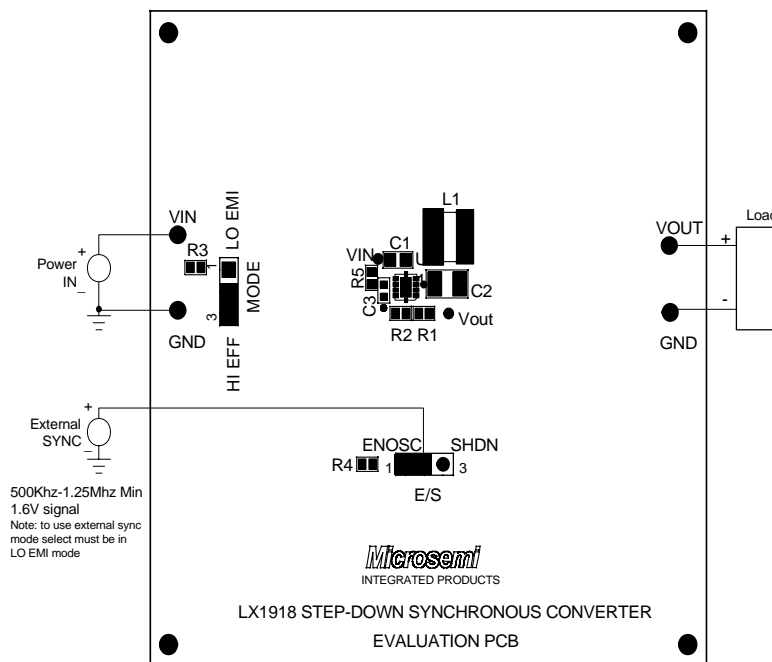


Figure 2 – Evaluation Board Hook Up

CONNECTIONS

The LX1918 Evaluation board has 4 test lead attachment points for applying power and control signals and for monitoring voltages. There are also 2 – 3 pin connections to select external synchronization

and operating mode. The E/S selector also has shutdown capability

Function	Board Label	Connection
Input Power	VIN	Power Supply (2.70V \pm 6.0V)
Power Ground	GND	Common Power Supply Ground
External Sync / Shutdown	E/S	Connect to GND to disable LX1918. A PWM > 500KHz logic PWM signal can also be applied ¹ .
Output Voltage	VOUT	Test Point – Hook up load and monitor VOUT
Mode Select	Mode	High Efficiency = Pin 2 and 3. Low EMI = Pin 1 and 2.

1 – To use external synchronization feature the Mode Select must be in Lo EMI position.

BILL OF MATERIALS

MISCELLANEOUS COMPONENTS						
Line Item	Part Description	Manufacturer & Part #		Case	Reference Designators	Qty
1	1.5A Synchronous Buck Converter	MICROSEMI	LX1918CLD	LD	U1	1
2	Inductor 1.8A Shielded SMD 3.3 μ H	COILCRAFT	MOS6020-332MX		L1	1
3	Header 3 Pin .100				P1, P2	2
4	Test Point – 0.045 diameter, Wire Loop	KEYSTONE	5004_Term			4
5	PCB SGE # 3534 X1					

CAPACITORS						
Line Item	Part Description	Part Description		Case	Reference Designators	Qty
1	Capacitor, 4.7 μ F, X5R, 10V, 20%	TAIYO YUDEN	CELDK212BJ475MG	0805	C1	1
2	Capacitor, 47 μ F, X5R, 6.3V, 20%	TAIYO YUDEN	JMK325BJ476MM	1210	C2	1
3	Capacitor, 0.1 μ F, X5R, 16V, 20%	TAIYO YUDEN	CEEMK107BJ104MA	0603	C3	1

RESISTORS						
Line Item	Part Description	Part Description		Case	Reference Designators	Qty
1	Resistor, 1.5K, 1/16W, 5%	PANASONIC	ERJ-3GSYJ152V	0603	R1	1
2	Resistor, 1K, 1/16W, 5%	PANASONIC	ERJ-3GSYJ102V	0603	R2	1
3	Resistor, 10K, 1/16W, 5%	PANASONIC	ERJ-3GSYJ103V	0603	R3, R4	2
4	Resistor, 40.2, 1/10W, 1%	PANASONIC	ERJ-3EKF40R2	0603	R5	1