

MSASC25W100K MSASC25W100KR

Features

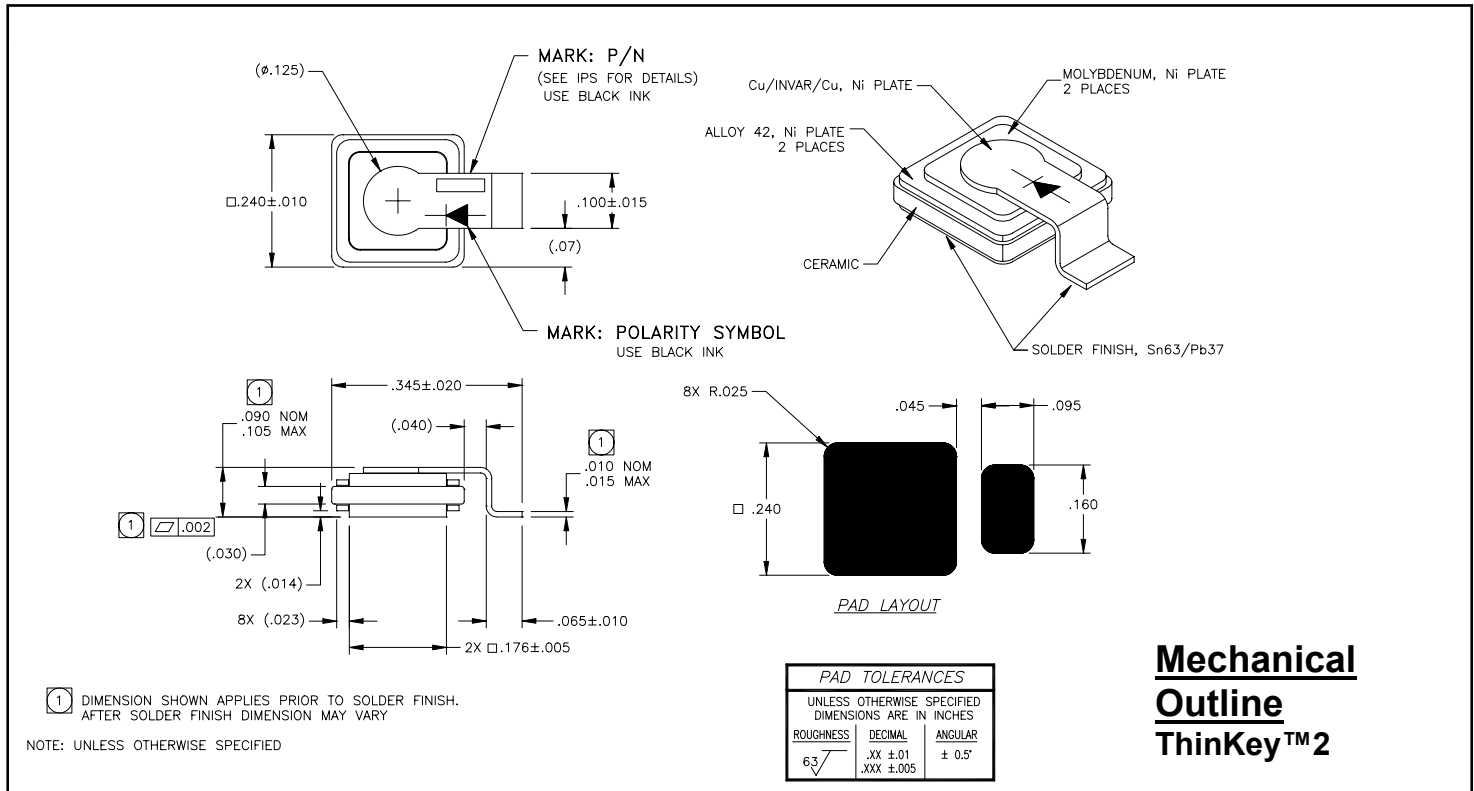
- Platinum schottky barrier
- Oxide passivated structure
- Guard ring protection for increased reverse energy capability
- Epitaxial structure minimizes forward voltage drop
- Hermetically sealed, low profile ceramic surface mount power package
- Low package inductance
- Very low thermal resistance
- Available as standard polarity (strap is anode: MSASC25W100K) and reverse polarity (strap is cathode: MSASC25W100KR)
- TXV-level screening (MSASC25W100KV) or S-level (MSASC25W100KS) screening i.a.w. Microsemi internal procedure PS11.50 available

**100 Volts
25 Amps**

**Low Profile
Surface Mount
SCHOTTKY DIODE**

Maximum Ratings @ 25°C (unless otherwise specified)

DESCRIPTION	SYMBOL	MAX.	UNIT
Peak Repetitive Reverse Voltage	V_{RRM}	100	Volts
Working Peak Reverse Voltage	V_{RWM}	100	Volts
DC Blocking Voltage	V_R	100	Volts
Average Rectified Forward Current, $T_c \leq 145^\circ\text{C}$	$I_{F(ave)}$	25	Amps
derating, forward current, $T_c \geq 145^\circ\text{C}$	di_F/dT	(3.3)	Amps/ $^\circ\text{C}$
Nonrepetitive Peak Surge Current, $t_p = 8.3$ ms, half-sinewave	I_{FSM}	280	Amps
Peak Repetitive Reverse Surge Current, $t_p = 1\mu\text{s}$, $f = 1$ kHz	I_{RRM}	2	Amp
Junction Temperature Range	T_j	-65 to +175	$^\circ\text{C}$
Storage Temperature Range	T_{stg}	-65 to +175	$^\circ\text{C}$
Thermal Resistance, Junction to Case:			$^\circ\text{C/W}$
	MSASC25W100K	0.85	
	MSASC25W100KR	0.95	



MSASC25W100K MSASC25W100KR



Electrical Parameters

DESCRIPTION	SYMBOL	CONDITIONS	MIN	TYP.	MAX	UNIT
Reverse (Leakage) Current	IR_{25}	$VR = 100 \text{ Vdc}, T_c = 25^\circ\text{C}$		7	500	μA
	IR_{125}	$VR = 100 \text{ Vdc}, T_c = 125^\circ\text{C}$		2	7	mA
Forward Voltage pulse test, $pw = 300 \mu\text{s}$ $d/c \leq 2\%$	VF1	$IF = 5\text{A}, T_c = 25^\circ\text{C}$		650	700	mV
	VF2	$IF = 10\text{A}, T_c = 25^\circ\text{C}$		750	780	mV
	VF3	$IF = 25\text{A}, T_c = 25^\circ\text{C}$		830	910	mV
	VF4	$IF = 50\text{A}, T_c = 25^\circ\text{C}$		940	-	mV
	VF5	$IF = 10\text{A}, T_c = 125^\circ\text{C}$		590	630	mV
	VF6	$IF = 25\text{A}, T_c = 125^\circ\text{C}$		690	750	mV
Junction Capacitance	Cj1	$VR = 10 \text{ Vdc}$		370		pF
	Cj2	$VR = 5 \text{ Vdc}$		500	600	pF
Breakdown Voltage	BVR	$IR = 1 \text{ mA}, T_c = 25^\circ\text{C}$	100	110		V
		$IR = 1 \text{ mA}, T_c = -55^\circ\text{C}$	100			V

