

2N5038 JAN, JTX, JTXV

2N5039 JAN, JTX, JTXV

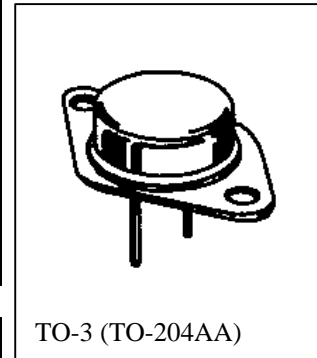


Processed per MIL-PRF-19500/439

NPN SILICON HIGH-POWER TRANSISTOR

MAXIMUM RATINGS

Ratings	Symbol	2N5038	2N5039	Units
Collector-Emitter Voltage	V_{CEO}	90	75	Vdc
Collector-Base Voltage	V_{CBO}	150	125	Vdc
Emitter-Base Voltage	V_{EBO}	7.0		Vdc
Base Current	I_B	5.0		Adc
Collector Current	I_C	20		Adc
Total Power Dissipation @ $T_C = 25^{\circ}C$ ⁽¹⁾	P_T	140		W
Operating & Storage Junction Temperature Range	T_J, T_{stg}	-65 to +200		$^{\circ}C$



THERMAL CHARACTERISTICS

Characteristics	Symbol	Max.	Unit
Thermal Resistance, Junction-to-Case	$R_{\theta JC}$	1.25	$^{\circ}C/W$

 1) Derate linearly 800 mW/ $^{\circ}C$ for $T_C > 25^{\circ}C$

ELECTRICAL CHARACTERISTICS ($T_A = 25^{\circ}C$ unless otherwise noted)

Characteristics	Symbol	Min.	Max.	Unit
-----------------	--------	------	------	------

OFF CHARACTERISTICS

Collector-Emitter Breakdown Voltage $I_C = 200$ mAdc	2N5038 2N5039	$V_{(BR)CEO}$	90 75	Vdc
Emitter-Base Breakdown Voltage $I_E = 25$ mAdc		$V_{(BR)EBO}$	7.0	Vdc
Collector-Base Cutoff Current $V_{CE} = 150$ Vdc $V_{CE} = 125$ Vdc	2N5038 2N5039	I_{CBO}	1.0 1.0	μ Adc
Collector-Base Cutoff Current $V_{CE} = 70$ Vdc $V_{CE} = 55$ Vdc	2N5038 2N5039	I_{CEO}	1.0 1.0	μ Adc
Emitter-Base Cutoff Current $V_{EB} = 5.0$ Vdc		I_{EBO}	1.0	μ Adc
Collector-Emitter Cutoff Current $V_{BE} = -1.5$ Vdc $V_{CE} = 100$ Vdc $V_{BE} = -1.5$ Vdc $V_{CE} = 85$ Vdc	2N5038 2N5039	I_{CEX}	5.0 5.0	μ Adc

2N5038, 2N5039, JAN SERIES

ELECTRICAL CHARACTERISTICS (con't)

Characteristics		Symbol	Min.	Max.	Unit
ON CHARACTERISTICS ⁽²⁾					
Forward-Current Transfer Ratio I _C = 0.5 Adc, V _{CE} = 5.0 Vdc	2N5038	h _{FE}	50		
	2N5039		30		
I _C = 2.0 Adc, V _{CE} = 5.0 Vdc	2N5038		50	200	
	2N5039		30	150	
I _C = 12 Adc, V _{CE} = 5.0 Vdc	2N5038		15		
I _C = 10 Adc, V _{CE} = 5.0 Vdc	2N5039		15		
Collector-Emitter Saturation Voltage I _C = 12 Adc, I _B = 1.2 Adc	2N5038	V _{CE(sat)}		1.0	Vdc
I _C = 10 Adc, I _B = 1.0 Adc	2N5039		1.0		
I _C = 20 Adc, I _B = 5.0 Adc	Both Types		2.5		
Base-Emitter Saturation Voltage I _C = 20 Adc, I _B = 5.0 Adc		V _{BE(sat)}		3.3	Vdc
Base-Emitter Voltage I _C = 12 Adc, V _{CE} = 5.0 Vdc	2N5038	V _{BE}		1.8	Vdc
I _C = 10 Adc, V _{CE} = 5.0 Vdc	2N5039		1.8		

DYNAMIC CHARACTERISTICS

Forward Current Transfer Ratio I _C = 2.0 Adc, V _{CE} = 10 Vdc, f = 5.0 MHz		h _{FE}	12	48	
Output Capacitance V _{CB} = 10 Vdc, I _E = 0, 100 kHz ≤ f ≤ 1.0 MHz		C _{obo}		500	pF

SWITCHING CHARACTERISTICS

Turn-On Time V _{CC} = 30 ± 2 Vdc; I _C = 12 Adc; I _{B1} = 1.2 Adc	2N5038	t _{on}		0.5	μs
V _{CC} = 30 ± 2 Vdc; I _C = 10 Adc; I _{B1} = 1.0 Adc	2N5039				
Turn-Off Time V _{CC} = 30 ± 2 Vdc; I _C = 12 Adc; I _{B1} = -I _{B2} = 1.2 Adc	2N5038	t _{off}		2.0	μs
V _{CC} = 30 ± 2 Vdc; I _C = 10 Adc; I _{B1} = -I _{B2} = 1.0 Adc	2N5039				

SAFE OPERATING AREA

DC Tests T _C = +25°C, 1 Cycle, t = 1.0 s					
Test 1 V _{CE} = 28 Vdc, I _C = 5.0 Adc					
Test 2 V _{CE} = 45 Vdc, I _C = 0.9 Adc					
Test 3 V _{CE} = 7.0 Vdc, I _C = 20 Adc					
Test 4 V _{CE} = 90 Vdc, I _C = 0.23 Adc					
	2N5038				
Test 4 V _{CE} = 75 Vdc, I _C = 0.32 Adc					
	2N5039				

(2) Pulse Test: Pulse Width = 300μs, Duty Cycle ≤ 2.0%.