

4-Channel Low-Phase-Noise Low-Power Continuous Wave Transmitter

Features

- Low Phase Noise
- 100V Open Drain N-channel
- High-speed D Flip-flop
- High-speed MOSFET Gate Driver
- Up to 200 MHz Clock Input
- V_{DD} and V_{LL} Undervoltage Lockout

Applications

- Diagnostic Medical Ultrasound
- Fluid Flow Measurement

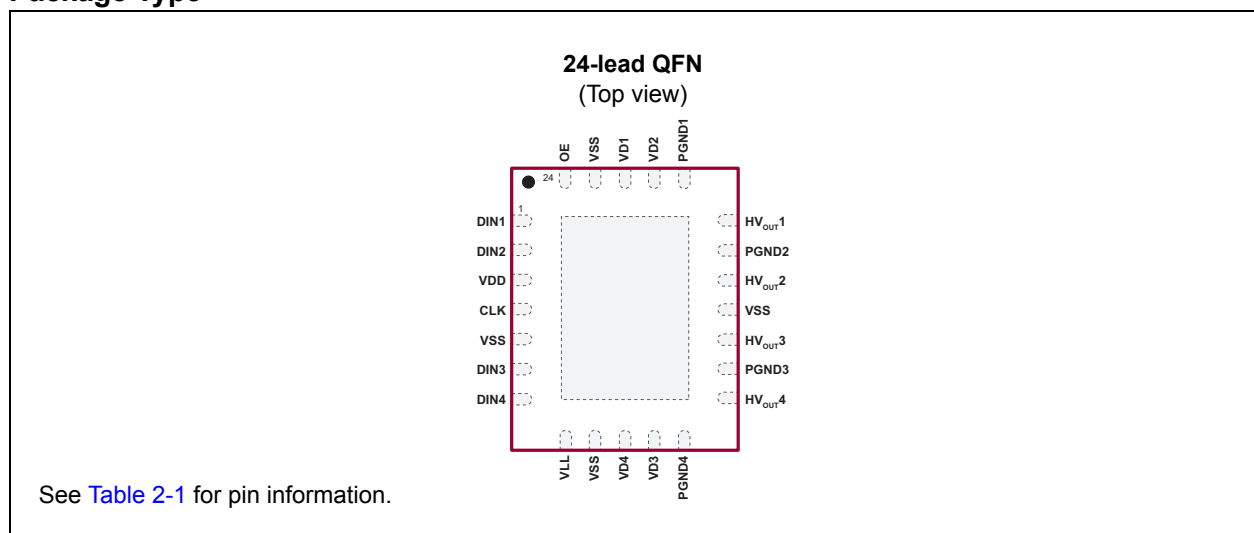
General Description

The CW01 is a 4-channel low-phase-noise continuous wave transmitter IC. A high-speed D flip-flop is provided to allow the D_{IN} frequency to be aligned to a high-frequency clock. The output N-channel is turned on when a logic high is clocked into the D flip-flop. Data are clocked-in during the low-to-high transition.

V_{D1} , V_{D2} , V_{D3} and V_{D4} are four individual input supply voltages for the N-channel output MOSFET gate drivers. High peak currents are drawn from these gate drives when the output MOSFETs are switching. To minimize jitter caused by voltage ripples, each channel has its own gate drive voltage pin— V_{D1} , V_{D2} , V_{D3} and V_{D4} . A series ferrite bead and a decoupling capacitor are recommended on each V_{DX} pin to minimize output jitter and channel-to-channel crosstalk.

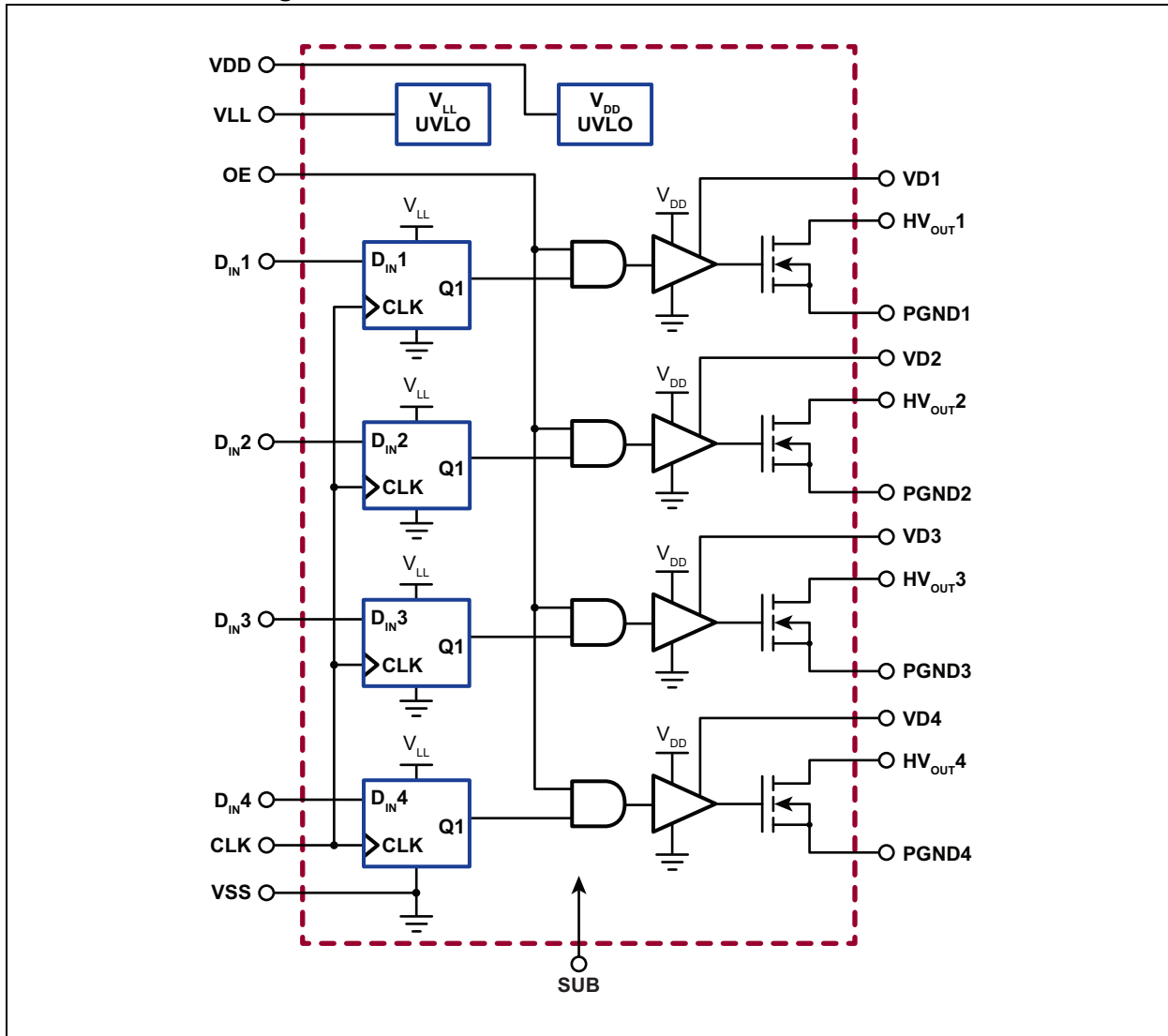
Both V_{DD} and V_{LL} have undervoltage lockout to prevent spurious turn-on.

Package Type

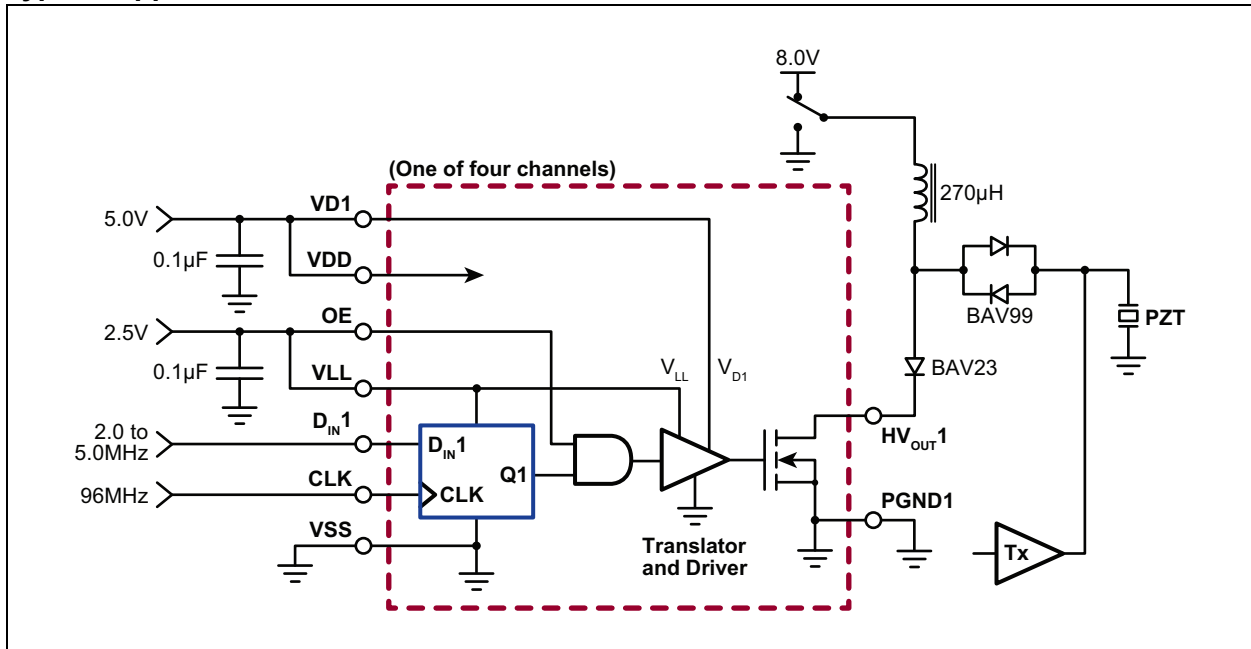


CW01

Functional Block Diagram



Typical Application Circuit



CW01

1.0 ELECTRICAL CHARACTERISTICS

Absolute Maximum Ratings†

Logic Supply, V_{LL}	-0.3V to +6V
Level Translator Voltage, V_{DD}	-0.5V to +6V
Gate Drive Voltage, V_{DX}	-0.5V to +6V
High-voltage Output Drain Voltage, HV_{OUT}	-0.5 to +120V
Operating Junction Temperature, T_J	-40°C to +125°C
Storage Temperature, T_S	-65°C to +150°C
Power Dissipation ($T_A = 25^\circ\text{C}$):	
24-lead QFN	3W

† **Notice:** Stresses above those listed under “Absolute Maximum Ratings” may cause permanent damage to the device. This is a stress rating only, and functional operation of the device at those or any other conditions above those indicated in the operational sections of this specification is not intended. Exposure to maximum rating conditions for extended periods may affect device reliability.

DC ELECTRICAL CHARACTERISTICS

Electrical Specifications: $V_{DD} = V_{DX} = 5\text{V}$, $V_{LL} = 2.5\text{V}$, $T_J = 25^\circ\text{C}$ unless otherwise specified.						
Parameter	Sym.	Min.	Typ.	Max.	Unit	Conditions
High-voltage Output	HV_{OUT}	0	—	100	V	
V_{DD} Voltage Range	V_{DD}	4.5	5	5.5	V	
V_{DD} Rise Time	$t_{V_{DD-ON}}$	50	—	—	μs	
V_{LL} Voltage Range	V_{LL}	1.65	2.5	5.5	V	
V_{LL} Rise Time	$t_{V_{LL-ON}}$	50	—	—	μs	
Logic Input Voltage Range	V_{DIN}	0	—	V_{LL}	V	
Gate Drive Voltage	V_{DX}	4.5	5	5.5	V	
V_{DX} Rise Time	$t_{V_{DX-ON}}$	50	—	—	μs	
V_{DD} Quiescent Current	I_{DDQ}	—	63	100	μA	
V_{DD} Average Current	I_{DD}	—	23.5	30	mA	$f_{CLK} = 200\text{ MHz}$, $f_{OUT} = 5\text{ MHz}$, All four channels active
V_{LL} Quiescent Current	I_{LLQ}	—	8.1	20	μA	
V_{LL} Average Current	I_{LL}	—	380	600	μA	$f_{CLK} = 200\text{ MHz}$, $f_{OUT} = 5\text{ MHz}$, All four channels active
V_{DX} Quiescent Current	I_{DXQ}	—	0	1	μA	
V_{DX} Average Current	I_{DX}	—	11.3	30	mA	$f_{CLK} = 200\text{ MHz}$, $f_{OUT} = 5\text{ MHz}$, All four channels active
Input Logic High Voltage	V_{IH}	$0.8 V_{LL}$	—	V_{LL}	V	
Input Logic Low Voltage	V_{IL}	0	—	$0.2 V_{LL}$	V	
Input Logic High Current	I_{IH}	—	—	1	μA	
Input Logic Low Current	I_{IL}	-1	—	—	μA	
Output On-resistance	R_{ON}	—	4.7	7	Ω	$I_{IN} = 100\text{ mA}$
Output Saturation Current	I_{SAT}	—	0.8	—	A	$V_{DD} = HV_{OUT} = 5\text{V}$
High-voltage Output Leakage	I_{HVleak}	—	—	10	μA	$HV_{OUT} = 100\text{V}$
UVLO Trip Point for V_{LL}	UVLO_ V_{LL}	—	1.5	—	V	
UVLO Trip Point for V_{DD}	UVLO_ V_{DD}	—	4	—	V	

AC ELECTRICAL CHARACTERISTICS

Electrical Specifications: $V_{DD} = V_{DX} = 5V$, $V_{LL} = 2.5V$, $T_J = 25^\circ C$ unless otherwise specified.						
Parameter	Sym.	Min.	Typ.	Max.	Unit	Conditions
Clock Frequency	f_{CLK}	0	—	200	MHz	
Clock Rise and Fall Times	t_r, t_f	—	0.5	5	ns	
Set-up Time, D_{IN} to CLK	t_{SU}	2	—	—	ns	
Hold Time, D_{IN} from CLK	t_H	1	—	—	ns	
HV _{OUT} Fall Time	t_{Hvf}	—	0.8	—	ns	Load = 50Ω to 8V (See Timing Waveforms.)
HV _{OUT} Rise Time	t_{Hvr}	—	3.3	—	ns	Load = 50Ω to 8V (See Timing Waveforms.)
Delay Time from CLK to HV _{OUT} from Low to High	t_{dLH}	—	5.1	—	ns	Load = 50Ω to 8V (See Timing Waveforms.)
Delay Time from CLK to HV _{OUT} from High to Low	t_{dHL}	—	2.6	—	ns	Load = 50Ω to 8V (See Timing Waveforms.)
Delay Time Matching for t_{dLH}	$\Delta t_{dLHdelay}$	—	0.5	1	ns	
Delay Time Matching for t_{dHL}	$\Delta t_{dHLdelay}$	—	0.5	1	ns	
Output Enable Turn-on Time	$t_{OE(ON)}$	—	—	10	μs	
Output Enable Turn-off Time	$t_{OE(OFF)}$	—	—	0.1	μs	
Output Capacitance	C_{OUT}	—	8	—	pF	At 8V
		—	4	—	pF	At 100V
Phase Noise	N_{Phase}	—	-171	-160	dBc/Hz	dB below carrier, CLK = 80 MHz, $D_{IN} = 2$ MHz, Frequency offset = 1 kHz, Noise bandwidth = 140 Hz (See Figure 3-1 and Figure 3-2.)

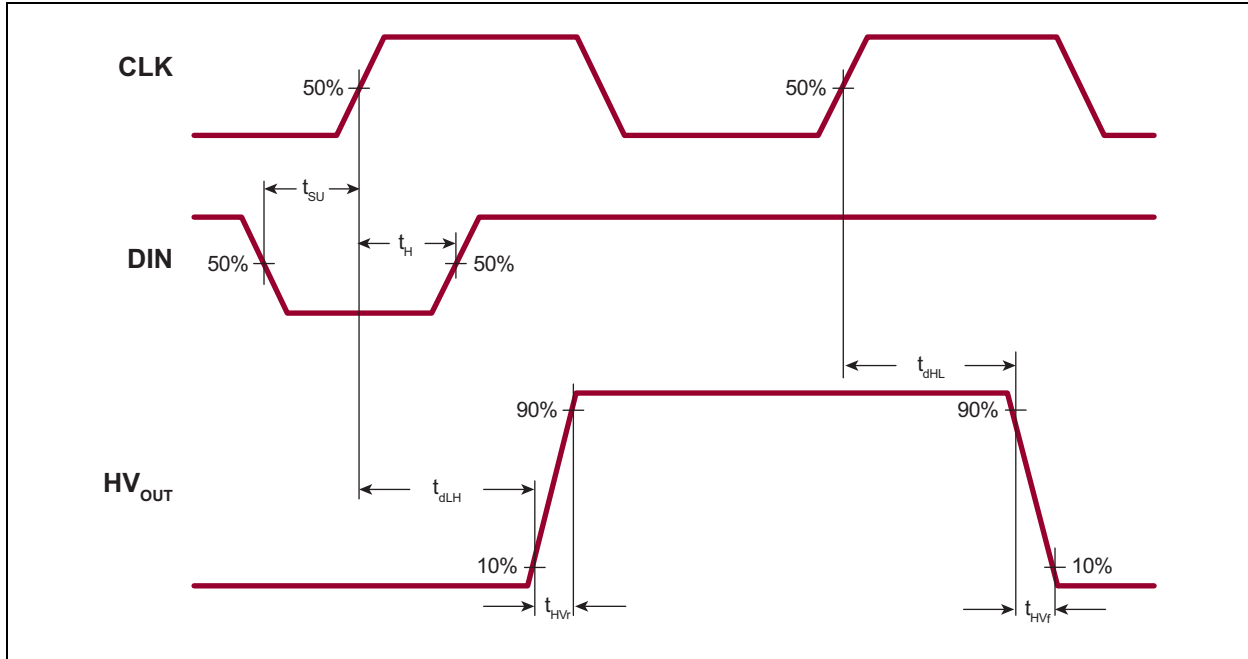
TEMPERATURE SPECIFICATIONS

Parameter	Sym.	Min.	Typ.	Max.	Unit	Conditions
TEMPERATURE RANGE						
Operating Junction Temperature	T_J	-40	—	+125	°C	
Storage Temperature	T_S	-65	—	+150	°C	
PACKAGE THERMAL RESISTANCE						
24-lead QFN	θ_{JA}	—	26.9	—	°C/W	Note 1

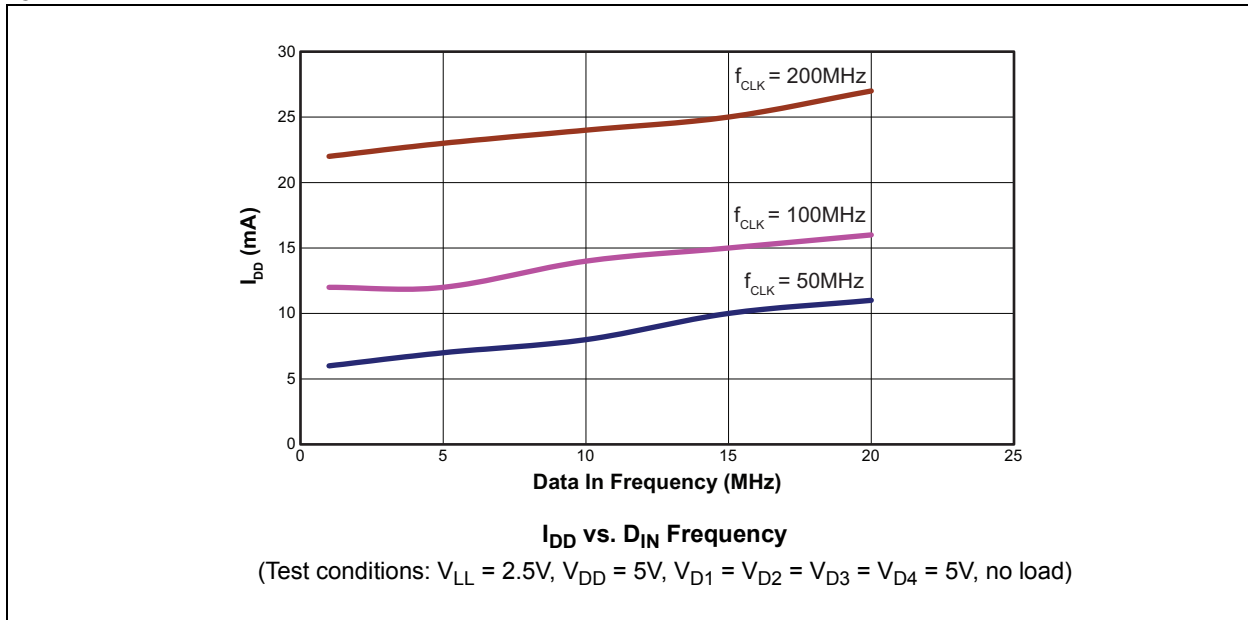
Note 1: Device is mounted on a 4-layer 3" by 4" board.

CW01

Timing Waveforms



Typical Performance Curve



2.0 PIN DESCRIPTION

Table 2-1 shows the description of pins in CW01. Refer to **Package Type** for the location of pins.

TABLE 2-1: PIN FUNCTION TABLE

Pin Number	Pin Name	Description
1	DIN1	D flip-flop logic input for HVOUT1. Logic high will turn on output N-channel.
2	DIN2	D flip-flop logic input for HVOUT2. Logic high will turn on output N-channel.
3	VDD	Level translator supply. Should be at the same potential as VDX.
4	CLK	Logic clock input
5	VSS	Ground. Should be externally shorted to all PGND and VSS pins.
6	DIN3	D flip-flop logic input for HVOUT3. Logic high will turn on output N-channel.
7	DIN4	D flip-flop logic input for HVOUT4. Logic high will turn on output N-channel.
8	VLL	Logic input supply voltage
9	VSS	Ground. Should be externally shorted to all PGND and VSS pins.
10	VD4	Gate drive supply voltage for HVOUT4. Should be at the same potential as VDD.
11	VD3	Gate drive supply voltage for HVOUT3. Should be at the same potential as VDD.
12	PGND4	Power ground for HVOUT4. Should be externally shorted to all PGND and VSS pins.
13	HVOUT4	Drain output for HVOUT4
14	PGND3	Power ground for HVOUT3. Should be externally shorted to all PGND and VSS pins.
15	HVOUT3	Drain output for HVOUT3
16	VSS	Ground. Should be externally shorted to all PGND and VSS pins.
17	HVOUT2	Drain output for HVOUT2
18	PGND2	Power ground for HVOUT2. Should be externally shorted to all PGND and VSS pins.
19	HVOUT1	Drain output for HVOUT1
20	PGND1	Power ground for HVOUT1. Should be externally shorted to all PGND and VSS pins.
21	VD2	Gate drive supply voltage for HVOUT2. Should be at the same potential as VDD.
22	VD1	Gate drive supply voltage for HVOUT1. Should be at the same potential as VDD.
23	VSS	Ground. Should be externally shorted to all PGND and VSS pins.
24	OE	Output enable logic input. Logic low will turn off all HVOUT.
Center Pad		Should be externally shorted to all PGND and VSS pins.

CW01

3.0 FUNCTIONAL DESCRIPTION

Figure 3-1 and Figure 3-2 illustrate the test circuits for CW01.

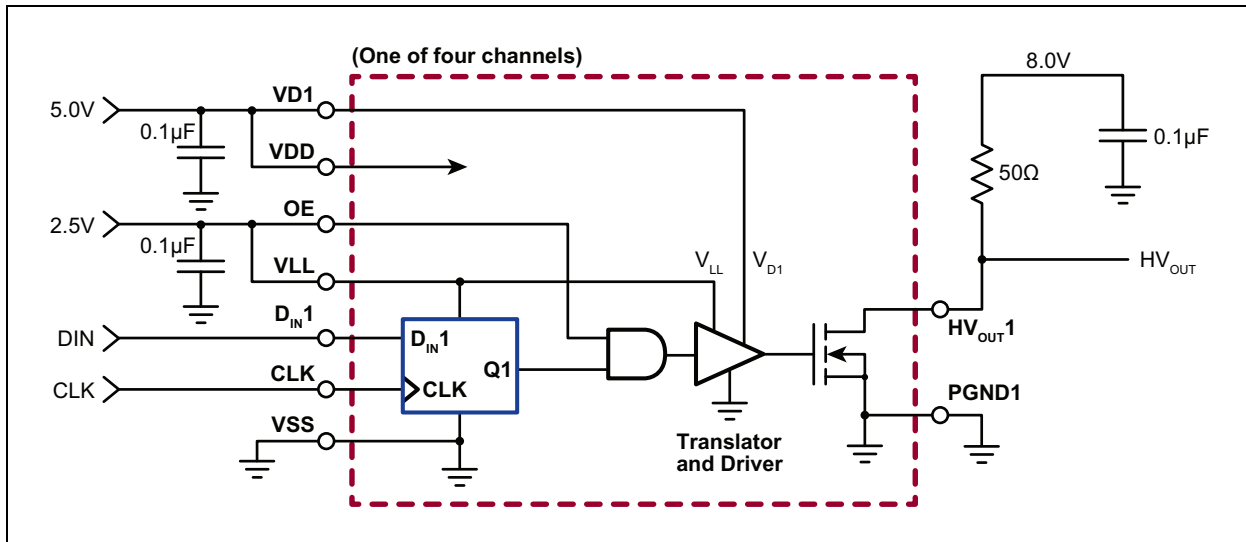


FIGURE 3-1: AC Timing.

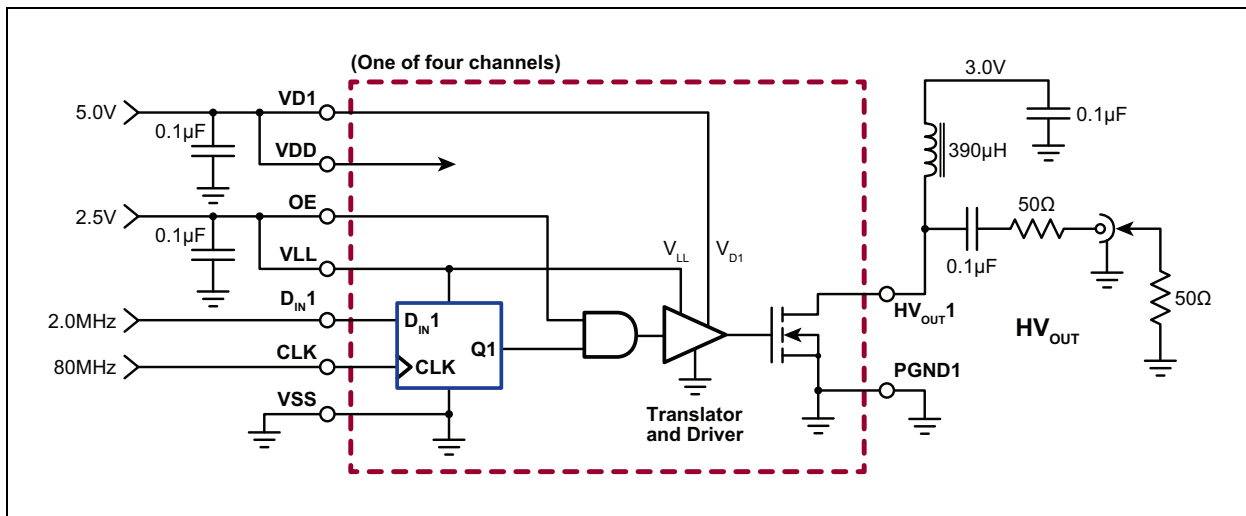
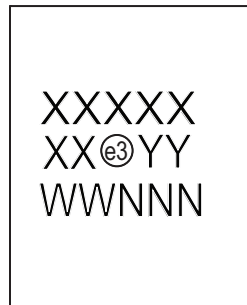


FIGURE 3-2: Phase Noise.

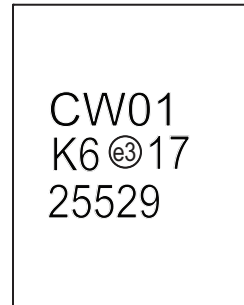
4.0 PACKAGING INFORMATION

4.1 Package Marking Information

24-lead QFN

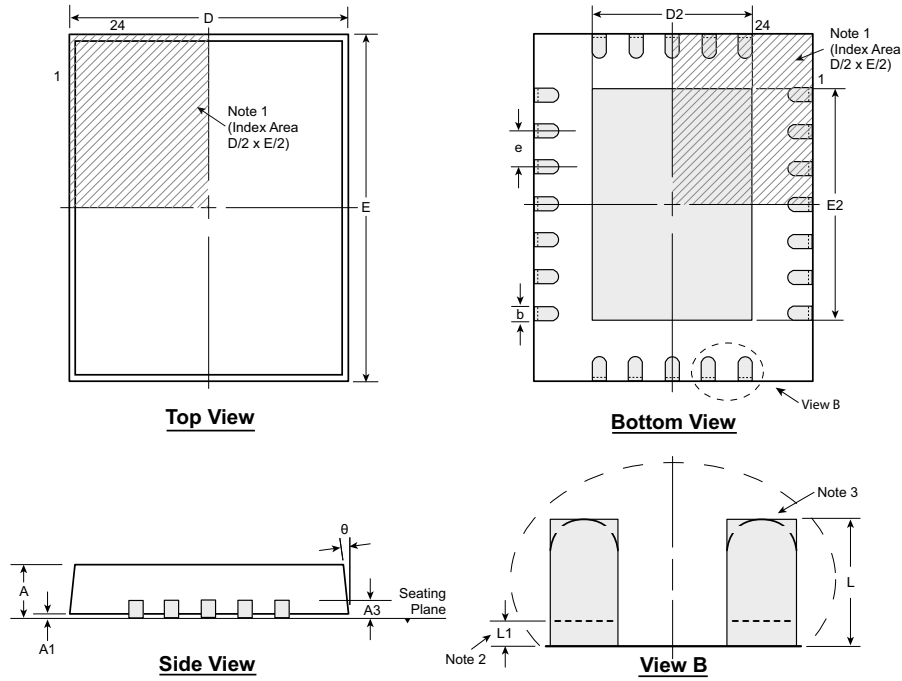


Example



Legend:	XX...X	Product Code or Customer-specific information
	Y	Year code (last digit of calendar year)
	YY	Year code (last 2 digits of calendar year)
	WW	Week code (week of January 1 is week '01')
	NNN	Alphanumeric traceability code
	ⓔ3	Pb-free JEDEC [®] designator for Matte Tin (Sn)
	*	This package is Pb-free. The Pb-free JEDEC designator (ⓔ3) can be found on the outer packaging for this package.
Note:	In the event the full Microchip part number cannot be marked on one line, it will be carried over to the next line, thus limiting the number of available characters for product code or customer-specific information. Package may or not include the corporate logo.	

24-Lead QFN Package Outline (K6) 4.00x5.00mm body, 1.00mm height (max), 0.50mm pitch



Note: For the most current package drawings, see the Microchip Packaging Specification at www.microchip.com/packaging.

Notes:

1. A Pin 1 identifier must be located in the index area indicated. The Pin 1 identifier can be: a molded mark/identifier; an embedded metal marker; or a printed indicator.
2. Depending on the method of manufacturing, a maximum of 0.15mm pullback (L1) may be present.
3. The inner tip of the lead may be either rounded or square.

Symbol	A	A1	A3	b	D	D2	E	E2	e	L	L1	θ	
Dimension (mm)	MIN	0.80	0.00	0.20 REF	0.18	3.85*	2.50	4.85*	3.50	0.50 BSC	± 0.30	0.00	0°
	NOM	0.90	0.02		0.25	4.00	2.65	5.00	3.65		0.40	-	-
	MAX	1.00	0.05		0.30	4.15*	2.80	5.15*	3.80		± 0.50	0.15	14°

JEDEC Registration MO-220, Variation VGHD-1, Issue K, June 2006

* This dimension is not specified in the JEDEC drawing.

† This dimension differs from the JEDEC drawing.

Drawings not to scale.

APPENDIX A: REVISION HISTORY

Revision A (July 2017)

- Converted Supertex Doc# DSFP-CW01 to Microchip DS20005810A
- Changed the package marking format
- Made minor text changes throughout the document

CW01

PRODUCT IDENTIFICATION SYSTEM

To order or obtain information, e.g., on pricing or delivery, contact your local Microchip representative or sales office.

<u>PART NO.</u>	<u>XX</u>	-	<u>X</u>	-	<u>X</u>
Device	Package Options		Environmental		Media Type
Device:	CW01	=	Four-Channel Low-Phase-Noise Low-Power Continuous Wave Transmitter		
Package:	K6	=	24-lead QFN		
Environmental:	G	=	Lead (Pb)-free/RoHS-compliant Package		
Media Type:	(blank)	=	3000/Reel for a K6 Package		

Example:

a) CW01K6-G: Four-Channel Low-Phase-Noise Low-Power Continuous Wave Transmitter, 24-lead QFN, 3000/Reel

Note the following details of the code protection feature on Microchip devices:

- Microchip products meet the specification contained in their particular Microchip Data Sheet.
- Microchip believes that its family of products is one of the most secure families of its kind on the market today, when used in the intended manner and under normal conditions.
- There are dishonest and possibly illegal methods used to breach the code protection feature. All of these methods, to our knowledge, require using the Microchip products in a manner outside the operating specifications contained in Microchip's Data Sheets. Most likely, the person doing so is engaged in theft of intellectual property.
- Microchip is willing to work with the customer who is concerned about the integrity of their code.
- Neither Microchip nor any other semiconductor manufacturer can guarantee the security of their code. Code protection does not mean that we are guaranteeing the product as “unbreakable.”

Code protection is constantly evolving. We at Microchip are committed to continuously improving the code protection features of our products. Attempts to break Microchip's code protection feature may be a violation of the Digital Millennium Copyright Act. If such acts allow unauthorized access to your software or other copyrighted work, you may have a right to sue for relief under that Act.

Information contained in this publication regarding device applications and the like is provided only for your convenience and may be superseded by updates. It is your responsibility to ensure that your application meets with your specifications. MICROCHIP MAKES NO REPRESENTATIONS OR WARRANTIES OF ANY KIND WHETHER EXPRESS OR IMPLIED, WRITTEN OR ORAL, STATUTORY OR OTHERWISE, RELATED TO THE INFORMATION, INCLUDING BUT NOT LIMITED TO ITS CONDITION, QUALITY, PERFORMANCE, MERCHANTABILITY OR FITNESS FOR PURPOSE. Microchip disclaims all liability arising from this information and its use. Use of Microchip devices in life support and/or safety applications is entirely at the buyer's risk, and the buyer agrees to defend, indemnify and hold harmless Microchip from any and all damages, claims, suits, or expenses resulting from such use. No licenses are conveyed, implicitly or otherwise, under any Microchip intellectual property rights unless otherwise stated.

Microchip received ISO/TS-16949:2009 certification for its worldwide headquarters, design and wafer fabrication facilities in Chandler and Tempe, Arizona; Gresham, Oregon and design centers in California and India. The Company's quality system processes and procedures are for its PIC® MCUs and dsPIC® DSCs, KEELOQ® code hopping devices, Serial EEPROMs, microperipherals, nonvolatile memory and analog products. In addition, Microchip's quality system for the design and manufacture of development systems is ISO 9001:2000 certified.

**QUALITY MANAGEMENT SYSTEM
CERTIFIED BY DNV
= ISO/TS 16949 =**

Trademarks

The Microchip name and logo, the Microchip logo, AnyRate, AVR, AVR logo, AVR Freaks, BeaconThings, BitCloud, CryptoMemory, CryptoRF, dsPIC, FlashFlex, flexPWR, Heldo, JukeBlox, KEELOQ, KEELOQ logo, Klear, LANCheck, LINK MD, maXStylus, maXTouch, MediaLB, megaAVR, MOST, MOST logo, MPLAB, OptoLyzer, PIC, picoPower, PICSTART, PIC32 logo, Prochip Designer, QTouch, RightTouch, SAM-BA, SpyNIC, SST, SST Logo, SuperFlash, tinyAVR, UNI/O, and XMEGA are registered trademarks of Microchip Technology Incorporated in the U.S.A. and other countries.

ClockWorks, The Embedded Control Solutions Company, EtherSynch, Hyper Speed Control, HyperLight Load, IntelliMOS, mTouch, Precision Edge, and Quiet-Wire are registered trademarks of Microchip Technology Incorporated in the U.S.A.

Adjacent Key Suppression, AKS, Analog-for-the-Digital Age, Any Capacitor, AnyIn, AnyOut, BodyCom, chipKIT, chipKIT logo, CodeGuard, CryptoAuthentication, CryptoCompanion, CryptoController, dsPICDEM, dsPICDEM.net, Dynamic Average Matching, DAM, ECAN, EtherGREEN, In-Circuit Serial Programming, ICSP, Inter-Chip Connectivity, JitterBlocker, KlearNet, KlearNet logo, Mindi, MiWi, motorBench, MPASM, MPF, MPLAB Certified logo, MPLIB, MPLINK, MultiTRAK, NetDetach, Omniscient Code Generation, PICDEM, PICDEM.net, PICKit, PICTail, PureSilicon, QMatrix, RightTouch logo, REAL ICE, Ripple Blocker, SAM-ICE, Serial Quad I/O, SMART-I.S., SQI, SuperSwitcher, SuperSwitcher II, Total Endurance, TSHARC, USBCheck, VariSense, ViewSpan, WiperLock, Wireless DNA, and ZENA are trademarks of Microchip Technology Incorporated in the U.S.A. and other countries.

SQTP is a service mark of Microchip Technology Incorporated in the U.S.A.

Silicon Storage Technology is a registered trademark of Microchip Technology Inc. in other countries.

GestIC is a registered trademark of Microchip Technology Germany II GmbH & Co. KG, a subsidiary of Microchip Technology Inc., in other countries.

All other trademarks mentioned herein are property of their respective companies.

© 2017, Microchip Technology Incorporated, All Rights Reserved.
ISBN: 978-1-5224-1906-8



MICROCHIP

Worldwide Sales and Service

AMERICAS

Corporate Office

2355 West Chandler Blvd.
Chandler, AZ 85224-6199
Tel: 480-792-7200
Fax: 480-792-7277
Technical Support:
<http://www.microchip.com/support>

Web Address:

www.microchip.com

Atlanta

Duluth, GA
Tel: 678-957-9614
Fax: 678-957-1455

Austin, TX

Tel: 512-257-3370

Boston

Westborough, MA
Tel: 774-760-0087
Fax: 774-760-0088

Chicago

Itasca, IL
Tel: 630-285-0071
Fax: 630-285-0075

Dallas

Addison, TX
Tel: 972-818-7423
Fax: 972-818-2924

Detroit

Novi, MI
Tel: 248-848-4000

Houston, TX

Tel: 281-894-5983

Indianapolis

Noblesville, IN
Tel: 317-773-8323
Fax: 317-773-5453
Tel: 317-536-2380

Los Angeles

Mission Viejo, CA
Tel: 949-462-9523
Fax: 949-462-9608
Tel: 951-273-7800

Raleigh, NC

Tel: 919-844-7510

New York, NY

Tel: 631-435-6000

San Jose, CA

Tel: 408-735-9110
Tel: 408-436-4270

Canada - Toronto

Tel: 905-695-1980
Fax: 905-695-2078

ASIA/PACIFIC

Asia Pacific Office

Suites 3707-14, 37th Floor
Tower 6, The Gateway
Harbour City, Kowloon

Hong Kong

Tel: 852-2943-5100
Fax: 852-2401-3431

Australia - Sydney

Tel: 61-2-9868-6733
Fax: 61-2-9868-6755

China - Beijing

Tel: 86-10-8569-7000
Fax: 86-10-8528-2104

China - Chengdu

Tel: 86-28-8665-5511
Fax: 86-28-8665-7889

China - Chongqing

Tel: 86-23-8980-9588
Fax: 86-23-8980-9500

China - Dongguan

Tel: 86-769-8702-9880

China - Guangzhou

Tel: 86-20-8755-8029

China - Hangzhou

Tel: 86-571-8792-8115
Fax: 86-571-8792-8116

China - Hong Kong SAR

Tel: 852-2943-5100
Fax: 852-2401-3431

China - Nanjing

Tel: 86-25-8473-2460
Fax: 86-25-8473-2470

China - Qingdao

Tel: 86-532-8502-7355
Fax: 86-532-8502-7205

China - Shanghai

Tel: 86-21-3326-8000
Fax: 86-21-3326-8021

China - Shenyang

Tel: 86-24-2334-2829
Fax: 86-24-2334-2393

China - Shenzhen

Tel: 86-755-8864-2200
Fax: 86-755-8203-1760

China - Wuhan

Tel: 86-27-5980-5300
Fax: 86-27-5980-5118

China - Xian

Tel: 86-29-8833-7252
Fax: 86-29-8833-7256

ASIA/PACIFIC

China - Xiamen

Tel: 86-592-2388138
Fax: 86-592-2388130

China - Zhuhai

Tel: 86-756-3210040
Fax: 86-756-3210049

India - Bangalore

Tel: 91-80-3090-4444
Fax: 91-80-3090-4123

India - New Delhi

Tel: 91-11-4160-8631
Fax: 91-11-4160-8632

India - Pune

Tel: 91-20-3019-1500

Japan - Osaka

Tel: 81-6-6152-7160
Fax: 81-6-6152-9310

Japan - Tokyo

Tel: 81-3-6880-3770
Fax: 81-3-6880-3771

Korea - Daegu

Tel: 82-53-744-4301
Fax: 82-53-744-4302

Korea - Seoul

Tel: 82-2-554-7200
Fax: 82-2-558-5932 or
82-2-558-5934

Malaysia - Kuala Lumpur

Tel: 60-3-6201-9857
Fax: 60-3-6201-9859

Malaysia - Penang

Tel: 60-4-227-8870
Fax: 60-4-227-4068

Philippines - Manila

Tel: 63-2-634-9065
Fax: 63-2-634-9069

Singapore

Tel: 65-6334-8870
Fax: 65-6334-8850

Taiwan - Hsin Chu

Tel: 886-3-5778-366
Fax: 886-3-5770-955

Taiwan - Kaohsiung

Tel: 886-7-213-7830

Taiwan - Taipei

Tel: 886-2-2508-8600
Fax: 886-2-2508-0102

Thailand - Bangkok

Tel: 66-2-694-1351
Fax: 66-2-694-1350

EUROPE

Austria - Wels

Tel: 43-7242-2244-39
Fax: 43-7242-2244-393

Denmark - Copenhagen

Tel: 45-4450-2828
Fax: 45-4485-2829

Finland - Espoo

Tel: 358-9-4520-820

France - Paris

Tel: 33-1-69-53-63-20
Fax: 33-1-69-30-90-79

France - Saint Cloud

Tel: 33-1-30-60-70-00

Germany - Garching

Tel: 49-8931-9700

Germany - Haan

Tel: 49-2129-3766400

Germany - Heilbronn

Tel: 49-7131-67-3636

Germany - Karlsruhe

Tel: 49-721-625370

Germany - Munich

Tel: 49-89-627-144-0
Fax: 49-89-627-144-44

Germany - Rosenheim

Tel: 49-8031-354-560

Israel - Ra'anana

Tel: 972-9-744-7705

Italy - Milan

Tel: 39-0331-742611
Fax: 39-0331-466781

Italy - Padova

Tel: 39-049-7625286

Netherlands - Drunen

Tel: 31-416-690399
Fax: 31-416-690340

Norway - Trondheim

Tel: 47-7289-7561

Poland - Warsaw

Tel: 48-22-3325737

Romania - Bucharest

Tel: 40-21-407-87-50

Spain - Madrid

Tel: 34-91-708-08-90
Fax: 34-91-708-08-91

Sweden - Gothenberg

Tel: 46-31-704-60-40

Sweden - Stockholm

Tel: 46-8-5090-4654

UK - Wokingham

Tel: 44-118-921-5800
Fax: 44-118-921-5820