



**PECL-to-TTL
TRANSLATOR**

SY10H350

FEATURES

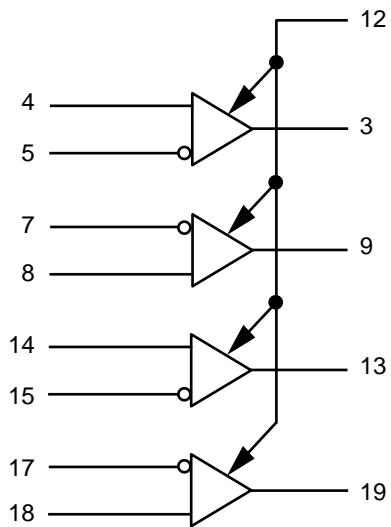
- Single 5V power supply
- Propagation delay, 3.5ns typical
- Fully compatible with MC10H350
- Available in 20-pin PLCC package

DESCRIPTION

The SY10H350 consists of 4 translators with differential inputs and TTL outputs. The 3-state outputs can be disabled by applying a HIGH TTL logic level on the common OE input.

The SY10H350 is designed to be used primarily in systems incorporating both ECL and TTL logic operating off a common power supply. The separate V_{CC} power pins are not connected internally and thus isolate the noisy TTL V_{CC} runs from the relatively quiet ECL V_{CC} runs on the printed circuit board. The differential inputs allow the H350 to be used as an inverting or noninverting translator, or a differential line receiver. The H350 can also drive CMOS with the addition of a pullup resistor.

BLOCK DIAGRAM

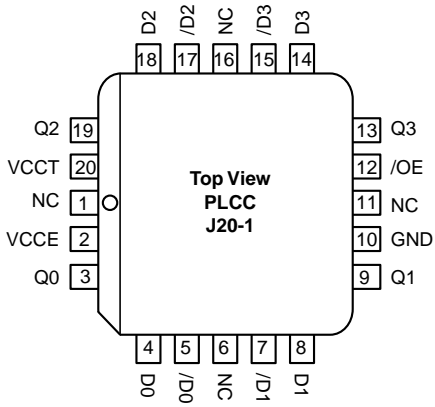


V_{CC} (+5 VDC) = Pins 2 and 20; GND = Pin 10

PIN NAMES

Pin	Function
$D_0 - D_3$	True PECL Inputs
$/D_0 - /D_3$	Inverted PECL Inputs
$Q_0 - Q_3$	TTL Outputs
V_{CCE}	PECL V_{CC} (5.0V)
V_{CCT}	TTL V_{CC} (5.0V)
GND	Ground
$/OE$	Output Enable

PACKAGE/ORDERING INFORMATION



20-Pin PLCC (J20-1)

Ordering Information⁽¹⁾

Part Number	Package Type	Operating Range	Package Marking	Lead Finish
SY10H350JC	J20-1	Commercial	SY10H350JC	Sn-Pb
SY10H350JCTR ⁽²⁾	J20-1	Commercial	SY10H350JC	Sn-Pb
SY10H350JZ ⁽³⁾	J20-1	Commercial	SY10H350JZ with Pb-Free bar-line indicator	Matte-Sn
SY10H350JZTR ^(2, 3)	J20-1	Commercial	SY10H350JZ with Pb-Free bar-line indicator	Matte-Sn

Notes:

1. Contact factory for die availability. Dice are guaranteed at T_A = 25°C, DC Electricals only.
2. Tape and Reel.
3. Pb-Free package is recommended for new designs.

ABSOLUTE MAXIMUM RATINGS⁽¹⁾

Symbol	Parameter	Value	Unit
V _{CC}	Power Supply Voltage	-0.5 to +7.0	V
V _I	PECL Input Voltage	0V to V _{CC} +0.5	V
V _O	Voltage Applied to Output at HIGH State	-0.5 to +5.5	V
I _O	Current Applied to Output at LOW State	Twice the Rated I _{OL}	mA
T _{LEAD}	Lead Temperature (soldering, 20sec.)	+260	°C
T _{store}	Storage Temperature	-65 to +150	°C
T _A	Operating Temperature	0 to +85	°C

TRUTH TABLE

/EN	D	/D	Q
L	L	H	L
L	H	L	H
L	Open	Open	L
H	X	X	Z
Open	X	X	Z

NOTE:

1. Permanent device damage may occur if absolute maximum ratings are exceeded. This is a stress rating only and functional operation is not implied at conditions other than those detailed in the operational sections of this data sheet. Exposure to absolute maximum rating conditions for extended periods may affect device reliability.

DC ELECTRICAL CHARACTERISTICS

V_{CC} = 4.75V to 5.25V

Symbol	Parameter	T _A = 0°C		T _A = +25°C			T _A = +85°C		Unit	Condition	
		Min.	Max.	Min.	Typ.	Max.	Min.	Max.			
I _{CC}	Power Supply Current	TTL	—	20	—	12	20	—	20	mA	No output loads
		ECL	—	12	—	12	—	—	12		
V _{OH}	Output HIGH Voltage	2.7	—	2.7	—	—	2.7	—	V	I _{OH} = -3.0mA	
V _{OL}	Output LOW Voltage	—	0.5	—	—	0.5	—	0.5	V	I _{OL} = 20mA	
I _{IH} I _{INH}	Input HIGH Current (Pin 12) Reverse Current Others	—	20	—	—	20	—	20	μA		
		—	50	—	—	50	—	50	μA		
I _{IL} I _{INL}	Input LOW Current (Pin 12) Forward Current Others	—	-0.6	—	—	-0.6	—	-0.6	mA		
		—	50	—	—	50	—	50	μA		
I _{OS}	Output Short Circuit Current	-60	-150	-60	—	-150	-60	-150	mA	V _{OUT} = 0V	
I _{OZH}	Output Disable Current HIGH	—	50	—	—	50	—	50	μA	V _{OUT} = 2.7V	
I _{OZL}	Output Disable Current LOW	-50	+50	-50	—	+50	-50	+50	μA	V _{OUT} = 0.5	
V _{CMR}	Common Mode Range	2.8	V _{CC}	2.8	—	V _{CC}	2.8	V _{CC}	V		
V _{PP}	Minimum Peak-to-Peak Input ⁽¹⁾	200	—	200	—	—	200	—	mV		
V _{IH}	Input HIGH Voltage (Pin 12)	2.0	—	2.0	—	—	2.0	—	V		
V _{IL}	Input LOW Voltage (Pin 12)	—	0.8	—	—	0.8	—	0.8	V		

Notes:

1. 200mV input guarantees full logic at output.
2. These values are for V_{CC} = 5.0V. Level Specifications will vary 1:1 V_{CC}.

AC ELECTRICAL CHARACTERISTICS

$V_{CC} = 4.75V$ to $5.25V$

Symbol	Parameter	$T_A = 0^\circ C$		$T_A = +25^\circ C$			$T_A = +85^\circ C$		Unit	Condition
		Min.	Max.	Min.	Typ.	Max.	Min.	Max.		
t_{PLH} t_{PHL}	Propagation Delay D to Output Q	1.5	5.0	1.5	3.5	5.0	1.5	5.0	ns	$C_L = 50pF$
t_{pdLZ} t_{pdHZ}	Output Disable Time ⁽¹⁾	2.0	8.0	2.0	—	8.0	2.0	8.0	ns	$C_L = 50pF$
t_{pdZL} t_{pdZH}	Output Enable Time ⁽¹⁾	2.0	8.0	2.0	—	8.0	2.0	8.0	ns	$C_L = 50pF$
t_r t_f	Output Rise/Fall Time (1.0V to 2.0V)	0.3	1.6	0.3	0.8	1.6	0.3	1.6	ns	$C_L = 50pF$

Notes:

1. Guaranteed, but not tested.

SWITCHING WAVEFORMS

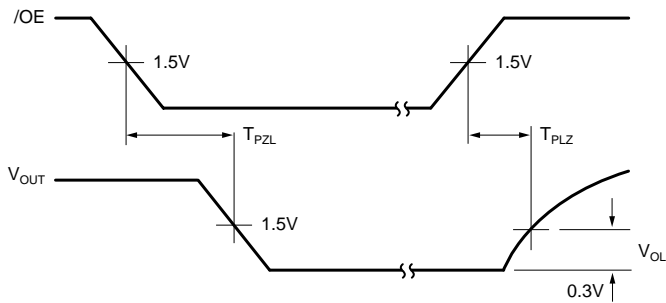


Figure 1. 3-State Output Low Enable and Disable Times

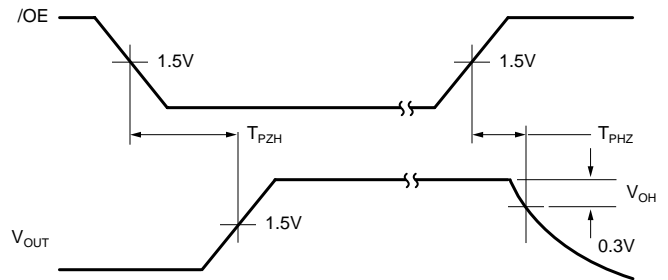


Figure 2. 3-State Output High Enable and Disable Times

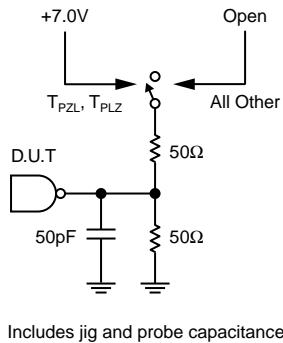


Figure 3. Test Load

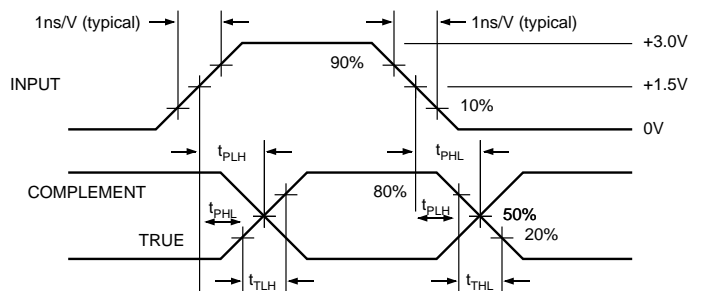
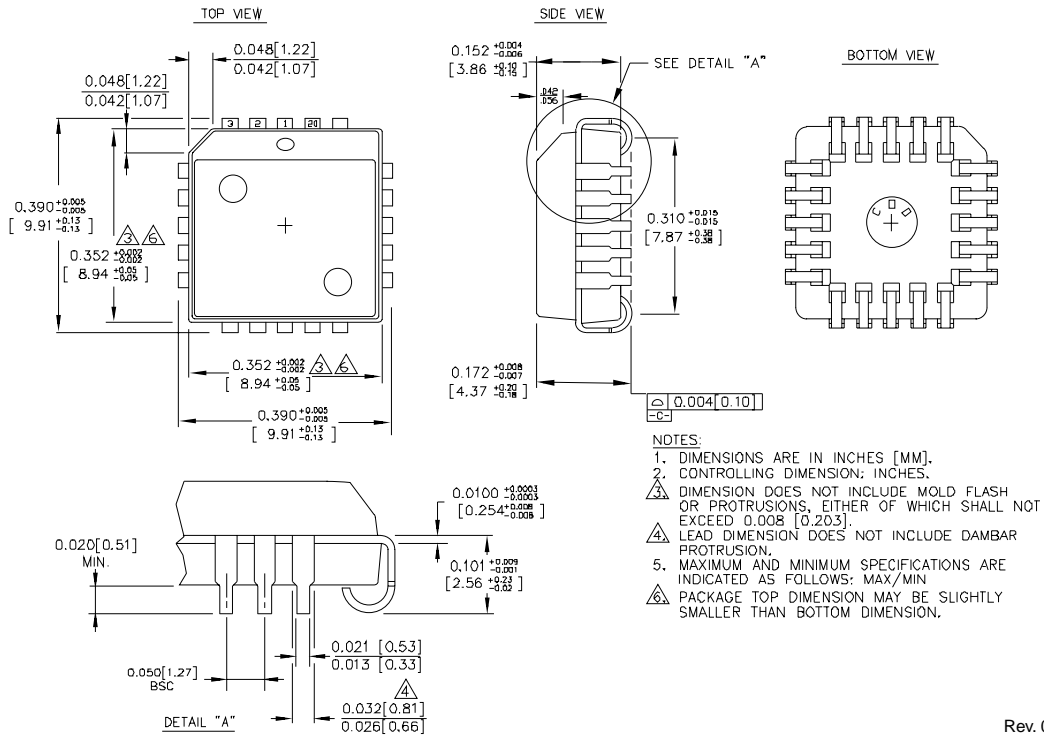


Figure 4. Propagation Delay and Transition Times

***Application Note:** Pin 12 is an /OE and the 10H350 is disabled when /OE is at V_{IH} or higher.

20-PIN PLASTIC LEADED CHIP CARRIER (J20-1)



Rev. 00

MICREL, INC. 2180 FORTUNE DRIVE SAN JOSE, CA 95131 USA

TEL + 1 (408) 944-0800 FAX + 1 (408) 474-1000 WEB <http://www.micrel.com>

The information furnished by Micrel in this data sheet is believed to be accurate and reliable. However, no responsibility is assumed by Micrel for its use. Micrel reserves the right to change circuitry and specifications at any time without notification to the customer.

Micrel Products are not designed or authorized for use as components in life support appliances, devices or systems where malfunction of a product can reasonably be expected to result in personal injury. Life support devices or systems are devices or systems that (a) are intended for surgical implant into the body or (b) support or sustain life, and whose failure to perform can be reasonably expected to result in a significant injury to the user. A Purchaser's use or sale of Micrel Products for use in life support appliances, devices or systems is at Purchaser's own risk and Purchaser agrees to fully indemnify Micrel for any damages resulting from such use or sale.

© 2006 Micrel, Incorporated.