



PNP Silicon Small Signal Transistor

Qualified per MIL-PRF-19500/382

Qualified Levels:
JAN, JANTX, and
JANTXV

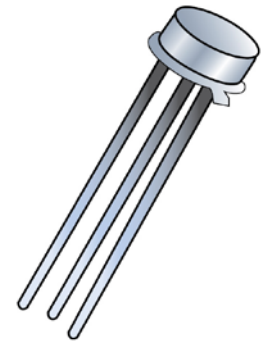
DESCRIPTION

This 2N2944A through 2N2946A PNP silicon transistor device is military qualified up to a JANTXV level for high-reliability applications. Microsemi also offers numerous other products to meet higher and lower power voltage regulation applications.

Important: For the latest information, visit our website <http://www.microsemi.com>.

FEATURES

- JEDEC registered 2N2944A thru 2N2946A series.
- JAN, JANTX, and JANTXV qualifications per MIL-PRF-19500/382 available.
- RoHS compliant versions available (commercial grade only).




**TO-46 (TO-206AB)
Package**

APPLICATIONS / BENEFITS

- Low profile metal can package.
- ESD to Class 3 per MIL-STD-750, method 1020.

Also available in:

 **UB package**
(surface mount)
[2N2944AUB – 2N2946AUB](#)

MAXIMUM RATINGS @ +25 °C unless specified otherwise.

Parameters/Test Conditions	Symbol	Value	Unit
Junction and Storage Temperature	T _J and T _{STG}	-65 to +200	°C
Thermal Resistance Junction-to-Ambient	R _{θJA}	435	°C/W
Collector Current (dc)	I _C	-100	mA
Emitter to Base voltage (static), collector open	V _{EBO}	-15 -25 -40	V
Collector to Base voltage (static), emitter open	V _{CB0}	-15 -25 -40	V
Collector to Emitter voltage (static), base open	V _{CEO}	-10 -20 -35	V
Emitter to Collector voltage	V _{ECO}	-10 -20 -35	V
Total Power Dissipation, all terminals @ T _A = +25 °C ⁽¹⁾	P _T	400	mW

Notes: 1. Derate linearly 2.30 mW /°C above T_A = +25 °C.

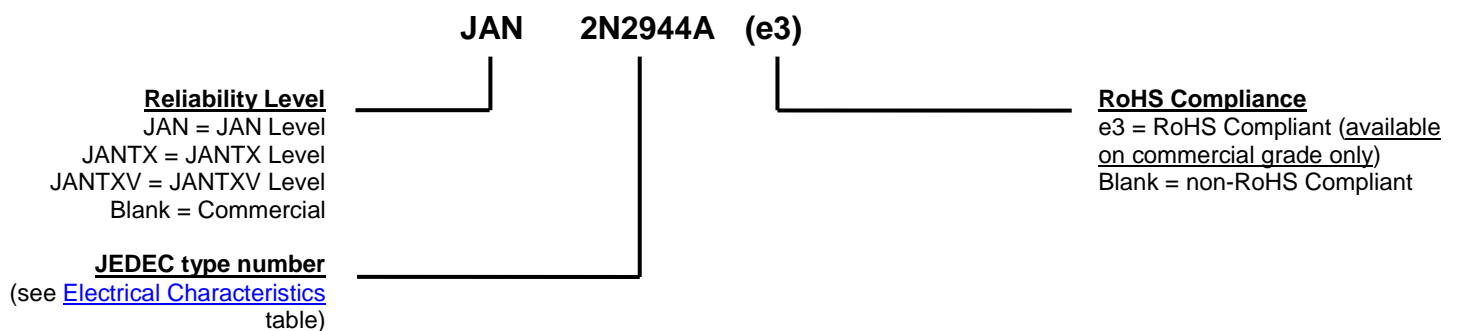
MSC – Lawrence
6 Lake Street,
Lawrence, MA 01841
Tel: 1-800-446-1158 or
(978) 620-2600
Fax: (978) 689-0803

MSC – Ireland
Gort Road Business Park,
Ennis, Co. Clare, Ireland
Tel: +353 (0) 65 6840044
Fax: +353 (0) 65 6822298

Website:
www.microsemi.com

MECHANICAL and PACKAGING

- CASE: Nickel plated kovar, glass seals.
- TERMINALS: Gold plating over nickel, solder dipped, kovar.
- MARKING: Part number, date code, manufacturer's ID.
- WEIGHT: 0.234 grams.
- See [Package Dimensions](#) on last page.

PART NOMENCLATURE

SYMBOLS & DEFINITIONS

Symbol	Definition
I_B	Base current (dc).
I_E	Emitter current (dc).
V_{CB}	Collector to base voltage (dc).
V_{EB}	Emitter to base voltage (dc).
$V_{(BR)}$	Minimum Breakdown Voltage: The minimum voltage the device will exhibit at a specified current.

ELECTRICAL CHARACTERISTICS @ 25 °C unless otherwise noted.

Characteristic		Symbol	Min.	Max.	Unit
OFF CHARACTERISTICS:					
Collector-Emitter Breakdown Voltage $I_C = -10 \mu\text{A}$	2N2944A 2N2945A 2N2946A	$V_{(BR)CEO}$	-10 -20 -35		V
Emitter-Collector Breakdown Voltage $I_E = -10 \mu\text{A}, I_B = 0$	2N2944A 2N2945A 2N2946A	$V_{(BR)ECO}$	-10 -20 -35		V
Collector-Base Cutoff Current $V_{CB} = -15 \text{ V}$ $V_{CB} = -25 \text{ V}$ $V_{CB} = -40 \text{ V}$	2N2944A 2N2945A 2N2946A	I_{CBO}	10 10 10		μA
Emitter-Base Cutoff Current $V_{EB} = -12 \text{ V}$ $V_{EB} = -20 \text{ V}$ $V_{EB} = -32 \text{ V}$	2N2944A 2N2945A 2N2946A	I_{EBO}		-0.1 -0.2 -0.5	ηA
ON CHARACTERISTICS: ⁽¹⁾					
Forward-Current Transfer Ratio $I_C = -1.0 \text{ mA}, V_{CE} = -0.5 \text{ V}$	2N2944A 2N2945A 2N2946A	h_{FE}	100 70 50		
Forward-Current Transfer Ratio (inverted connection) $I_E = -200 \mu\text{A}, V_{EC} = -0.5 \text{ V}$	2N2944A 2N2945A 2N2946A	$h_{FE(inv)}$	50 30 20		
Emitter-Collector Offset Voltage $I_B = -200 \mu\text{A}, I_E = 0$ $I_B = -1.0 \text{ mA}, I_E = 0$ $I_B = -2.0 \text{ mA}, I_E = 0$	2N2944A 2N2945A 2N2946A 2N2944A 2N2945A 2N2946A 2N2944A 2N2945A 2N2946A	$V_{EC(ofs)}$		-0.3 -0.5 -0.8 -0.6 -1.0 -2.0 -1.0 -1.6 -2.5	mV
DYNAMIC CHARACTERISTICS:					
Emitter-Collector On-State Resistance $I_B = -100 \mu\text{A}, I_E = 0, I_e = 100 \mu\text{A ac (rms)}$ $f = 1.0 \text{ kHz}$ $I_B = -1.0 \text{ mA}, I_E = 0, I_e = 100 \mu\text{A ac (rms)}$ $f = 1.0 \text{ kHz}$	2N2944A 2N2945A 2N2946A 2N2944A 2N2945A 2N2946A	$r_{ec(on)}$		10 12 14 4.0 6.0 8.0	Ω
Magnitude of Small-Signal Forward Current Transfer Ratio $I_C = -1.0 \text{ mA}, V_{CE} = -6.0 \text{ V}, f = 1.0 \text{ MHz}$	2N2944A 2N2945A 2N2946A	$ h_{fe} $	15 10 5.0	55 55 55	
Output Capacitance $V_{CB} = -6.0 \text{ V}, I_E = 0, 100 \text{ kHz} \leq f \leq 1.0 \text{ MHz}$		C_{obo}		10	pF
Input Capacitance $V_{EB} = -6.0 \text{ V}, I_C = 0, 100 \text{ kHz} \leq f \leq 1.0 \text{ MHz}$		C_{ibo}		6.0	pF

(1) Pulse Test: Pulse Width = 300 s, duty cycle 2.0%.

GRAPHS

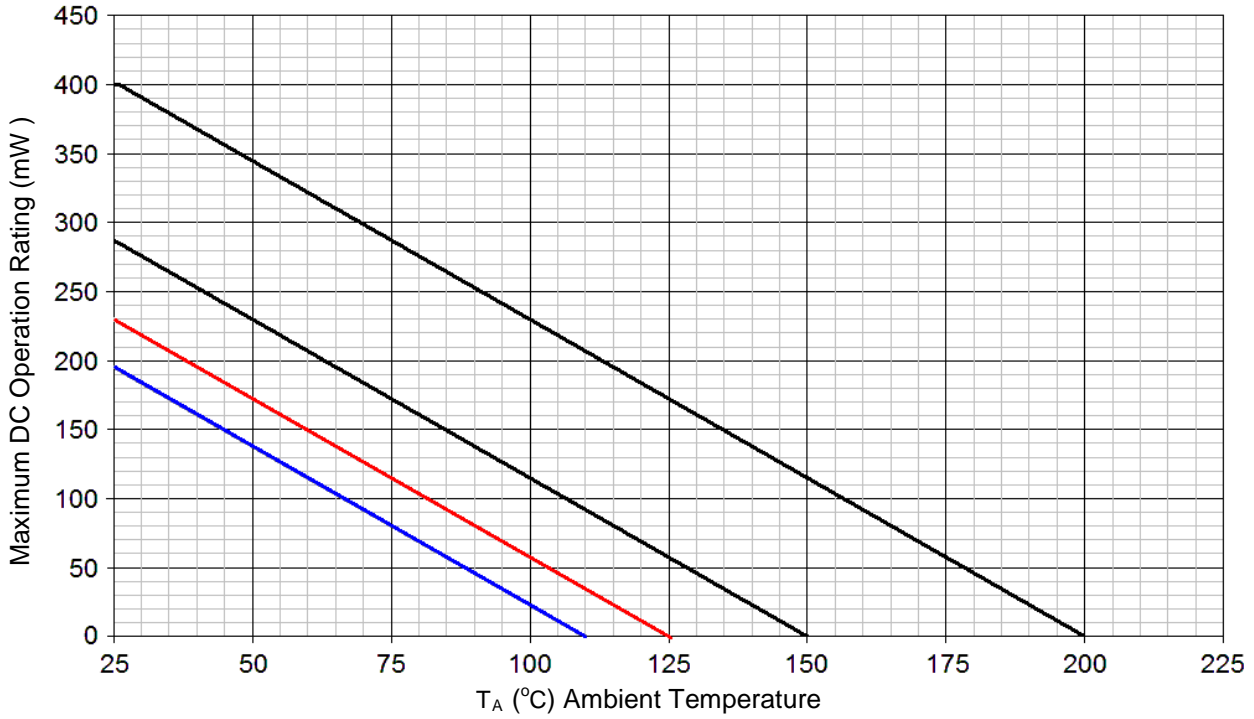
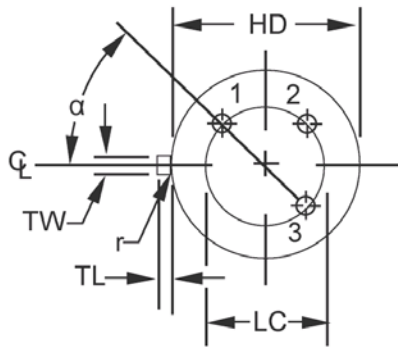
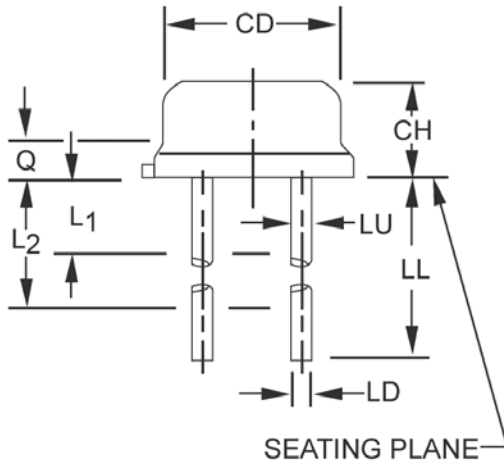


FIGURE 1 – Temperature-Power Derating Curve

PACKAGE DIMENSIONS


Ltr.	Dimensions				Notes
	Inches		Millimeters		
	Min	Max	Min	Max	
CD	.178	.195	4.52	4.95	
CH	.065	.085	1.65	2.16	
HD	.209	.230	5.31	5.84	
LC	.100 TP		2.54 TP		5
LD	.016	.021	0.41	0.53	
LL	.500	1.750	12.70	44.45	6
LU	.016	.019	0.41	0.48	6
L1		.050		1.27	6
L2	.250		6.35		6
Q		.040		1.02	3
TL	.028	.048	0.71	1.22	8
TW	.036	.046	0.91	1.17	4
r		.010		0.25	9
α	45° TP		45° TP		5

NOTES:

- Dimensions are in inches.
- Millimeters are given for general information only.
- Symbol TL is measured from HD maximum.
- Details of outline in this zone are optional.
- Leads at gauge plane .054 inch (1.37 mm) +.001 inch (0.03 mm) -.000 inch (0.00 mm) below seating plane shall be within .007 inch (0.18 mm) radius of TP relative to tab. Device may be measured by direct methods or by gauge.
- Symbol LU applies between L₁ and L₂. Dimension LD applies between L₂ and LL minimum.
- Lead number three is electrically connected to case.
- Beyond r maximum, TW shall be held for a minimum length of .011 inch (0.28 mm).
- Symbol r applied to both inside corners of tab.
- In accordance with ASME Y14.5M, diameters are equivalent to Φx symbology.
- Lead 1 is emitter, lead 2 is base, and lead 3 is collector.