

Features

- Synchronizes to standard telecom or Ethernet backplane clocks and provides jitter filtered output clocks for SONET/SDH, PDH and Ethernet network interface cards
- Supports the requirements of ITU-T G.8262 for synchronous Ethernet Equipment slave Clocks (EEC option 1 and 2)
- Synchronizes to telecom reference clocks (2 kHz, N*8 kHz up to 77.76 MHz, 155.52 MHz) or to Ethernet reference clocks (25 MHz, 50 MHz, 62.5 MHz, 125 MHz)
- Supports automatic hitless reference switching and short term holdover during loss of reference inputs
- Generates standard SONET/SDH clock rates (e.g. 19.44 MHz, 38.88 MHz, 77.76 MHz, 155.52 MHz, 622.08 MHz) or Ethernet clock rates (e.g. 25 MHz, 50 MHz, 125 MHz, 156.25 MHz, 312.5 MHz) for synchronizing Ethernet PHYs
- Programmable synthesizer generates clock frequencies with any multiple of 8 kHz up to 100 MHz
- Selectable loop bandwidth of 14 Hz, 28 Hz, 890 Hz, or 0.1 Hz

Ordering Information

ZL30132GGG	64 Pin CABGA	Trays
ZL30132GGG2	64 Pin CABGA*	Trays

*Pb Free Tin/Silver/Copper

-40°C to +85°C

- Generates several styles of output frame pulses with selectable pulse width, polarity, and frequency
- Configurable input to output delay and output to output phase alignment
- Configurable through a serial interface (SPI or I²C)
- DPLL can be configured to provide synchronous or asynchronous clock outputs
- Supports IEEE 1149.1 JTAG Boundary Scan

Applications

- ITU-T G.8262 Line Cards which support 1GbE and 10GbE interfaces
- SONET line cards up to OC-192
- SDH line cards up to STM-64

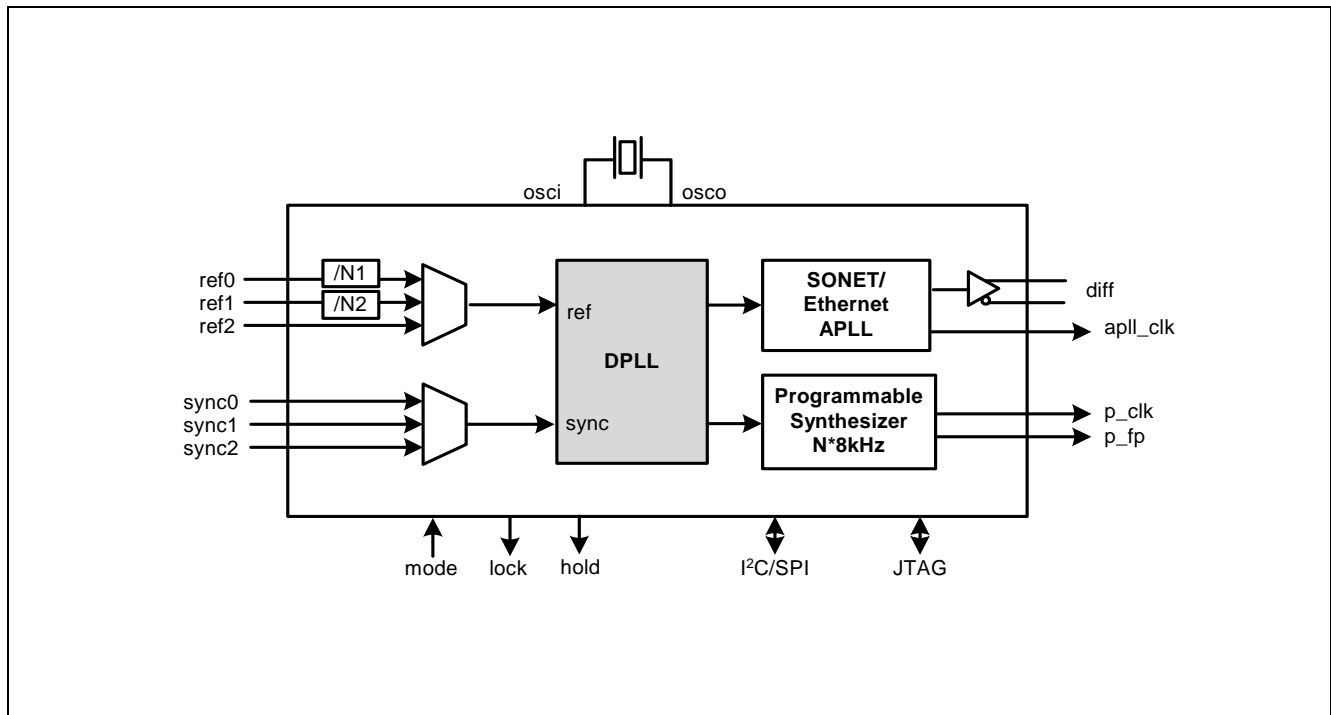


Figure 1 - Simplified Functional Block Diagram

Pin Description

Pin #	Name	I/O Type	Description
Input Reference			
B1 A3 B4	ref0 ref1 ref2	I _u	Input References 2:0 (LVCMOS, Schmitt Trigger). These input references are available to the DPLL for synchronizing output clocks. All three input references can lock to any multiple of 8 kHz up to 77.76 MHz including 25 MHz and 50 MHz. Input ref0 and ref1 have additional configurable pre-dividers allowing input frequencies of 62.5 MHz and 125 MHz. These pins are internally pulled up to V _{dd} .
A1 A2 A4	sync0 sync1 sync2	I _u	Frame Pulse Synchronization References 2:0 (LVCMOS, Schmitt Trigger). These are optional frame pulse synchronization inputs associated with input references 0, 1 and 2. These inputs accept frame pulses in a clock format (50% duty cycle) or a basic frame pulse format with minimum pulse width of 5 ns. These pins are internally pulled up to V _{dd} .
Output Clocks and Frame Pulses			
A7 B8	diff_p diff_n	O	Differential Output Clock 0 (LVPECL). When in SONET/SDH mode, this output can be configured to provide any one of the available SONET/SDH clocks (6.48 MHz, 19.44 MHz, 38.88 MHz, 51.84 MHz, 77.76 MHz, 155.52 MHz, 311.04 MHz, 622.08 MHz). When in Ethernet mode, this output can be configured to provide any of the Ethernet clocks (25 MHz, 50 MHz, 62.5 MHz, 125 MHz, 156.25 MHz, 312.5 MHz). See "Output Clocks and Frame Pulses" on page 21 for more details on clock frequency settings.
D8	apl_clk	O	APLL Output Clock (LVCMOS). This output can be configured to provide any one of the SONET/SDH clock outputs up to 77.76 MHz or any of the Ethernet clock rates up to 125 MHz. The default frequency for this output is 77.76 MHz.
G8	p_clk	O	Programmable Synthesizer - Output Clock (LVCMOS). This output can be configured to provide any frequency with a multiple of 8 kHz up to 100 MHz in addition to 2 kHz. The default frequency for this output is 2.048 MHz.
G7	p_fp	O	Programmable Synthesizer - Output Frame Pulse (LVCMOS). This output can be configured to provide virtually any style of output frame pulse. The default frequency for this frame pulse output is 8 kHz.
Control			
G5	rst_b	I	Reset (LVCMOS, Schmitt Trigger). A logic low at this input resets the device. To ensure proper operation, the device must be reset after power-up. Reset should be asserted for a minimum of 300 ns.
B2	mode	I _u	DPLL Mode Select (LVCMOS, Schmitt Trigger). During reset, the level on this pin determines the default mode of operation for DPLL (Normal=0 or Freerun=1). After reset, the mode of operation can be controlled directly with this pin, or by accessing the dppll_modesel register (0x1F) through the serial interface. This pin is internally pulled up to V _{dd} .
B3	diff_en	I _u	Differential Output Enable (LVCMOS, Schmitt Trigger). When set high, the differential LVPECL output driver is enabled. When set low, the differential driver is tristated reducing power consumption. This pin is internally pulled up to V _{dd} .
Status			

Pin #	Name	I/O Type	Description
E1	lock	O	Lock Indicator (LVCMOS). This is the lock indicator pin for DPLL. This output goes high when the DPLL's output is frequency and phase locked to the input reference.
H1	hold	O	Holdover Indicator (LVCMOS). This pin goes high when the DPLL enters the holdover mode.
Serial Interface			
C1	sck_scl	I/B	Clock for Serial Interface (LVCMOS). Serial interface clock. When i2c_en = 0, this pin acts as the sck pin for the serial interface. When i2c_en = 1, this pin acts as the scl pin (bidirectional) for the I ² C interface.
D2	si_sda	I/B	Serial Interface Input (LVCMOS). Serial interface data pin. When i2c_en = 0, this pin acts as the si pin for the serial interface. When i2c_en = 1, this pin acts as the sda pin (bidirectional) for the I ² C interface.
D1	so	O	Serial Interface Output (LVCMOS). Serial interface data output. When i2c_en = 0, this pin acts as the so pin for the serial interface. When i2c_en = 1, this pin is unused and should be left unconnected.
C2	cs_b_ase0	I _u	Chip Select for SPI/Address Select 0 for I²C (LVCMOS). When i2c_en = 0, this pin acts as the chip select pin (active low) for the serial interface. When i2c_en = 1, this pin acts as the ase0 pin for the I ² C interface.
E2	int_b	O	Interrupt Pin (LVCMOS). Indicates a change of device status prompting the processor to read the enabled interrupt service registers (ISR). This pin is an open drain, active low and requires an external pulled-up to Vdd.
H2	i2c_en	I _u	I²C Interface Enable (LVCMOS). If set high, the I ² C interface is enabled, if set low, the SPI interface is enabled. Internally pull-up to Vdd.
APLL Loop Filter			
A5	apll_filter	A	External Analog PLL Loop Filter terminal.
B5	filter_ref0	A	Analog PLL External Loop Filter Reference.
C5	filter_ref1	A	Analog PLL External Loop Filter Reference.
JTAG and Test			
G4	tdo	O	Test Serial Data Out (Output). JTAG serial data is output on this pin on the falling edge of tck. This pin is held in high impedance state when JTAG scan is not enabled.
G2	tdi	I _u	Test Serial Data In (Input). JTAG serial test instructions and data are shifted in on this pin. This pin is internally pulled up to Vdd. If this pin is not used then it should be left unconnected.
G3	trst_b	I _u	Test Reset (LVCMOS). Asynchronously initializes the JTAG TAP controller by putting it in the Test-Logic-Reset state. This pin should be pulsed low on power-up to ensure that the device is in the normal functional state. This pin is internally pulled up to Vdd. If this pin is not used then it should be connected to GND.
H3	tck	I	Test Clock (LVCMOS): Provides the clock to the JTAG test logic. If this pin is not used then it should be pulled down to GND.

Pin #	Name	I/O Type	Description
F2	tms	I _U	Test Mode Select (LVCMOS). JTAG signal that controls the state transitions of the TAP controller. This pin is internally pulled up to V _{DD} . If this pin is not used then it should be left unconnected.
Master Clock			
H4	osci	I	Oscillator Master Clock Input (LVCMOS). This input accepts a 20 MHz reference from a clock oscillator (XO) or crystal XTAL. The stability and accuracy of the clock at this input determines the free-run accuracy and the long term holdover stability of the output clocks.
H5	osco	O	Oscillator Master Clock Output (LVCMOS). This pin must be left unconnected when the osci pin is connected to a clock oscillator.
Miscellaneous			
F5	IC		Internal Connection. Leave unconnected.
H6	IC		Internal Connection. Connect to ground.
H7 D7	NC		No Connection. Leave unconnected.
Power and Ground			
C3 C8 E8 F6 F8 G6 H8	V _{DD}	P P P P P P P	Positive Supply Voltage. +3.3V _{DC} nominal.
E6 F3	V _{CORE}	P P	Positive Supply Voltage. +1.8V _{DC} nominal.
B7 C4	AV _{DD}	P P	Positive Analog Supply Voltage. +3.3V _{DC} nominal.
B6 C7 F1	AV _{CORE}	P P P	Positive Analog Supply Voltage. +1.8V _{DC} nominal.
D3 D4 D5 D6 E3 E4 E5 E7 F4 F7	V _{SS}	G G G G G G G G G G	Ground. 0 Volts.

Pin #	Name	I/O Type	Description
A6 A8 C6 G1	AV_{SS}	G G G G	Analog Ground. 0 Volts.

I - Input

I_d - Input, Internally pulled down

I_u - Input, Internally pulled up

O - Output

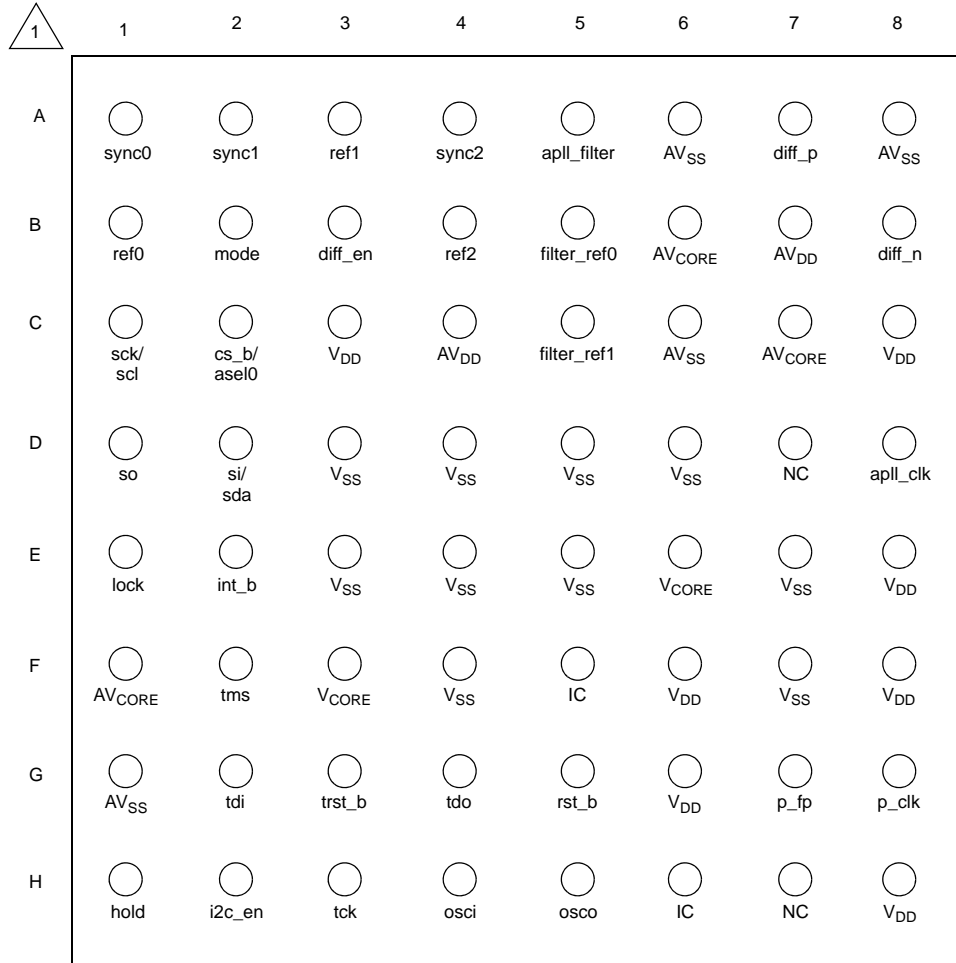
A - Analog


P - Power

G - Ground

1.0 Pin Diagram

TOP VIEW



 1 - A1 corner is identified with a dot.

2.0 High Level Overview

The ZL30132 OC-192/STM-64 SONET/SDH/10GbE Network Interface Synchronizer is a highly integrated device that provides timing for network interface cards. The DPLL automatically locks to one of three input references and provides a wide variety of synchronized output clocks for synchronizing SONET/SDH, PDH, and Ethernet line cards.

The ZL30132 uses internal state machines to control the mode of operation and reference selection. Once configured, the device operates automatically and requires very little maintenance. Status is provided through the serial port. An interrupt pin becomes active to indicate a change in device status. Some of the status functions (e.g. lock, holdover) are accessible directly using device pins.

This device is ideally suited for systems with network interface cards that are synchronized to a centralized telecom backplane. The ZL30132 synchronizes to backplane clocks and generates a synchronized and jitter attenuated Ethernet/SONET/SDH clock and a PDH clock. A typical application is shown in Figure 2. In this application, the ZL30132 translates a 19.44 MHz clock from the telecom backplane to an Ethernet or SONET/SDH clock rate for the PHY and filters the jitter to ensure compliance with related clock standards. A programmable synthesizer provides PDH clocks with multiples of 8 kHz for generating PDH interface clocks. The ZL30132 allows easy integration of Ethernet line rates with today's telecom backplanes.

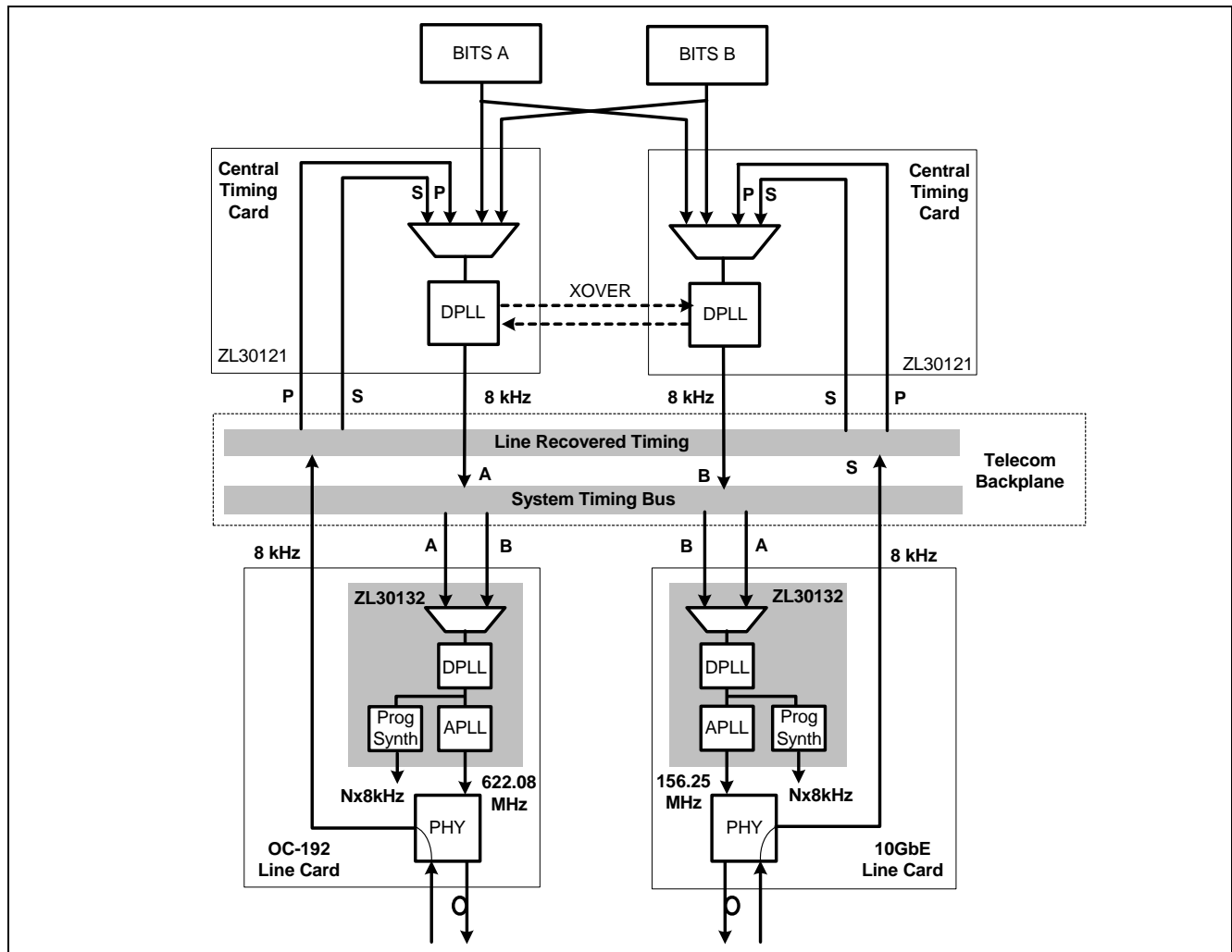
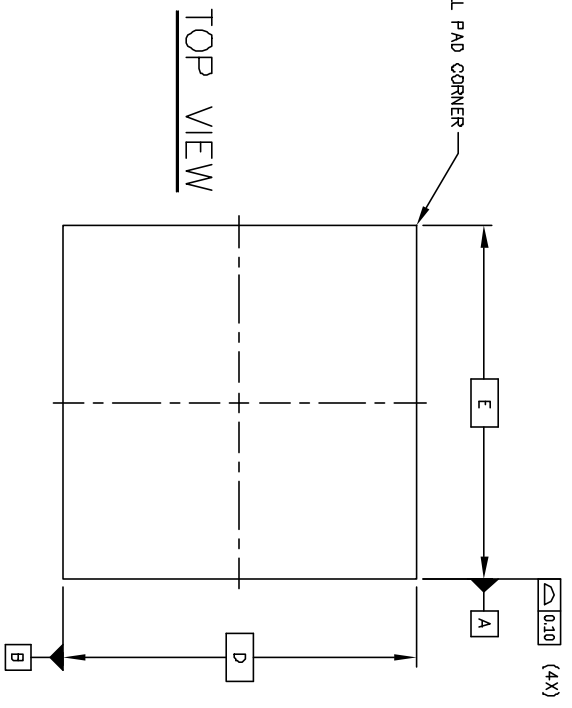
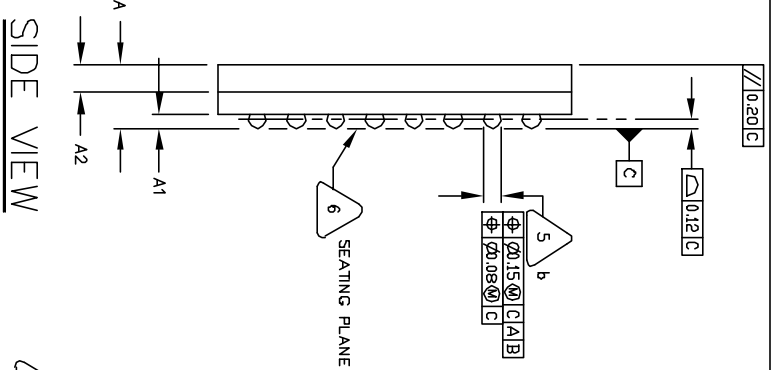


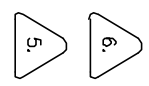
Figure 2 - Typical Application of the ZL30132



SYMBOL	MILLIMETER		
	MIN	NOM	MAX
A	1.52	1.62	1.72
A1	0.31	0.36	0.41
A2	0.65	0.70	0.75
b	0.46 TYP.		
D	9.00 REF.		
E	9.00 Ref.		
e	1.0 Ref.		
n	64		

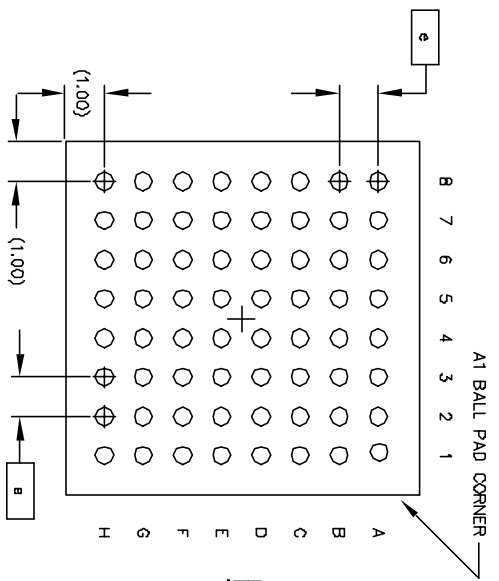


SIDE VIEW



6. PRIMARY DATUM C AND SEATING PLANE ARE DEFINED BY THE SPHERICAL CROWNS OF THE SOLDER BALLS.
 5. DIMENSION b IS MEASURED AT THE MAXIMUM SOLDER BALL DIAMETER, PARALLEL TO PRIMARY DATUM C.

BOTTOM VIEW
64 SOLDER BALLS



1. THE MAXIMUM ALLOWABLE NUMBER OF SOLDER BALLS IS 64.
 2. Not to Scale.
 3. THE BASIC SOLDER BALL GRID PITCH IS 1.00mm.
 4. ALL DIMENSIONS AND TOLERANCES CONFORM TO ASME Y14.5M-1994.
- NOTES: UNLESS OTHERWISE SPECIFIED

Copyright Semiconductor 2005 All rights reserved.

1			
CDCA			
15Apr105			



Previous package codes

N/A

Package Code GG

Package Outline for 64ball
9x9mm, 1.0 mm Pitch,
4 layer, CABGA

111039



**For more information about all Zarlink products
visit our Web Site at
www.zarlink.com**

Information relating to products and services furnished herein by Zarlink Semiconductor Inc. or its subsidiaries (collectively "Zarlink") is believed to be reliable. However, Zarlink assumes no liability for errors that may appear in this publication, or for liability otherwise arising from the application or use of any such information, product or service or for any infringement of patents or other intellectual property rights owned by third parties which may result from such application or use. Neither the supply of such information or purchase of product or service conveys any license, either express or implied, under patents or other intellectual property rights owned by Zarlink or licensed from third parties by Zarlink, whatsoever. Purchasers of products are also hereby notified that the use of product in certain ways or in combination with Zarlink, or non-Zarlink furnished goods or services may infringe patents or other intellectual property rights owned by Zarlink.

This publication is issued to provide information only and (unless agreed by Zarlink in writing) may not be used, applied or reproduced for any purpose nor form part of any order or contract nor to be regarded as a representation relating to the products or services concerned. The products, their specifications, services and other information appearing in this publication are subject to change by Zarlink without notice. No warranty or guarantee express or implied is made regarding the capability, performance or suitability of any product or service. Information concerning possible methods of use is provided as a guide only and does not constitute any guarantee that such methods of use will be satisfactory in a specific piece of equipment. It is the user's responsibility to fully determine the performance and suitability of any equipment using such information and to ensure that any publication or data used is up to date and has not been superseded. Manufacturing does not necessarily include testing of all functions or parameters. These products are not suitable for use in any medical products whose failure to perform may result in significant injury or death to the user. All products and materials are sold and services provided subject to Zarlink's conditions of sale which are available on request.

Purchase of Zarlink's I²C components conveys a licence under the Philips I²C Patent rights to use these components in and I²C System, provided that the system conforms to the I²C Standard Specification as defined by Philips.

Zarlink, ZL and the Zarlink Semiconductor logo are trademarks of Zarlink Semiconductor Inc.

Copyright Zarlink Semiconductor Inc. All Rights Reserved.

TECHNICAL DOCUMENTATION - NOT FOR RESALE