

• 1N6639US THRU 1N6641US AVAILABLE IN JAN, JANTX, JANTXV AND JANS  
PER MIL-PRF-19500/609

- SWITCHING DIODES
- NON-CAVITY GLASS PACKAGE
- METALLURGICALLY BONDED

1N6639US  
1N6640US  
1N6641US

## MAXIMUM RATINGS

Operating Temperature: -65°C to +175°C  
Storage Temperature: -65°C to +175°C  
Operating Current: 300 mA  
Derating: 4.6 mA/°C Above  $T_{EC} = +110^{\circ}\text{C}$   
Surge Current:  $I_{FSM} = 2.5\text{A}$ ,  $P_W = 8.3\text{ms}$

ELECTRICAL CHARACTERISTICS @ 25°C, unless otherwise specified.

TYPES	$V_{BRR}$ @ 10 $\mu\text{A}$	$V_{RWM}$	$I_{R1}$ @ $T_A = +25^{\circ}\text{C}$ $V_R =$ $V_{RWM}$	$I_{R2}$ @ $T_A = +150^{\circ}\text{C}$ $V_R =$ $V_{RWM}$	$T_{FR}$ $I_F =$ $= 200\text{ mA}$	$T_{RR}$ $I_R = 10\text{ mA}$ $I_F = 10\text{ mA}$ $R_L = 100$	$C_T$ $V_R = 0$
	$V_{(pk)}$	$V_{(pk)}$	nA dc	$\mu\text{A}$ dc	ns	ns	pF
1N6639US	100	75	100	100	10	4.0	2.5
1N6640US	75	50	100	100	10	4.0	2.5
1N6641US	75	50	100	100	10	5.0	3.0

## FORWARD VOLTAGE:

TYPES	$V_F$ @ $I_F$		mA (PULSED)
	VdC		
	MIN	MAX	
1N6639US	-	1.20	500
1N6640US	0.54	0.62	1
	0.76	0.86	50
	0.82	0.92	100
	0.87	1.00	200
1N6641US	-	1.10	200

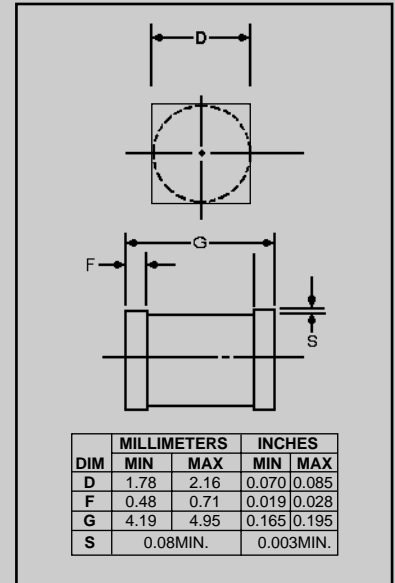


FIGURE 1

## DESIGN DATA

**CASE:** D-5D, Hermetically sealed glass case, per MIL-PRF- 19500/609

**LEAD FINISH:** Tin / Lead

**THERMAL RESISTANCE:** ( $R_{\theta JEC}$ ):  
50 °C/W maximum at L = 0

**THERMAL IMPEDANCE:** ( $Z_{\theta JX}$ ): 25  
°C/W maximum

**POLARITY:** Cathode end is banded

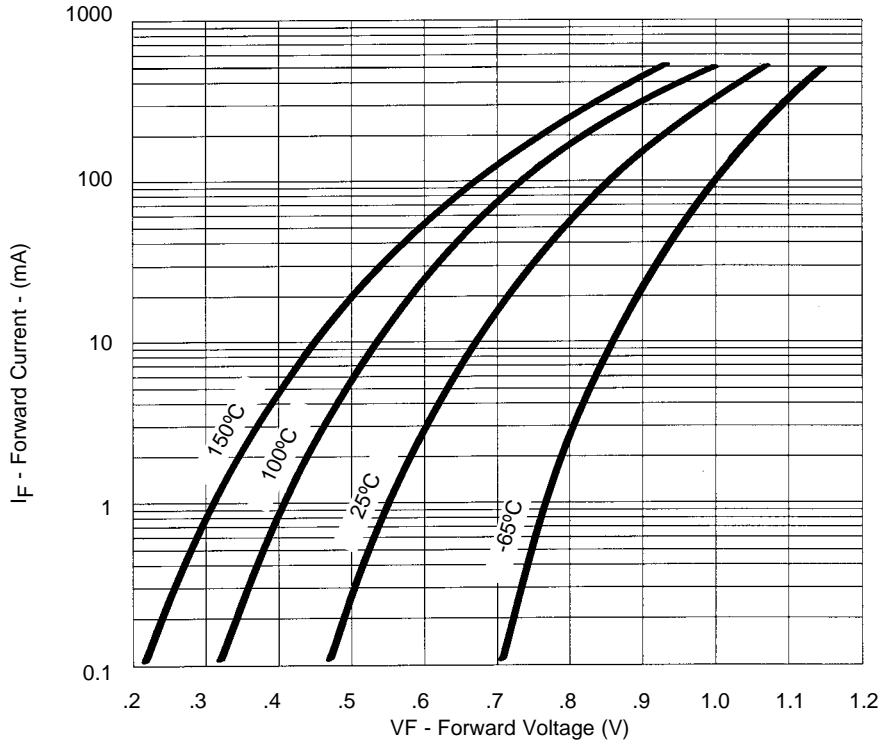
**MOUNTING SURFACE SELECTION:**  
The Axial Coefficient of Expansion (COE) of this device is approximately + 4PPM / °C. The COE of the Mounting Surface System should be selected to provide a suitable match with this device.



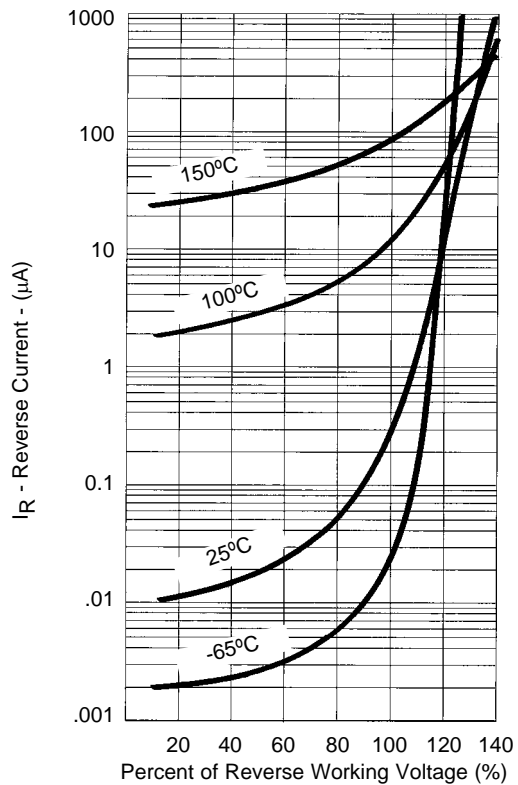
6 LAKE STREET, LAWRENCE, MASSACHUSETTS 01841  
PHONE (978) 620-2600  
WEBSITE: <http://www.microsemi.com>

FAX (781) 689-0803

# IN6639US thru IN6641US



**FIGURE 2**  
Typical Forward Current  
vs Forward Voltage



**FIGURE 3**  
Typical Reverse Current  
vs Reverse Voltage

**NOTE :** All temperatures shown on graphs are junction temperatures