

General Description

The MIC59300 is a high-bandwidth, low-dropout, 3A linear voltage regulator ideal for powering core voltages of low-power microprocessors. The MIC59300 implements a dual supply configuration allowing for a very low output impedance and a very fast transient response.

The MIC59300 requires a bias input supply and a main input supply, allowing for ultra-low input voltages on the main supply rail. The device operates from an input supply of 1.0V to 3.8V and bias supply between 3V and 5.5V. The MIC59300 offers fixed output voltages and adjustable output voltages down to 0.5V.

The MIC59300 requires a minimum output capacitance for stability, working optimally with small ceramic capacitors.

The MIC59300 is available in a 5-pin TO-263 and an 8-pin EPAD SOIC package and its junction temperature range is -40°C to $+125^{\circ}\text{C}$.

Data sheets and support documentation can be found on Micrel's web site at: www.micrel.com.

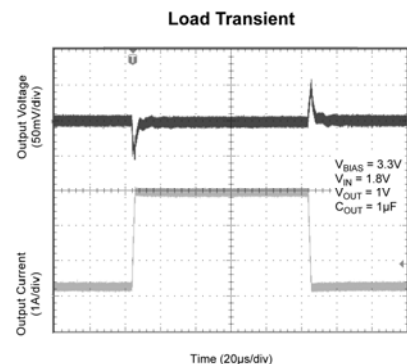
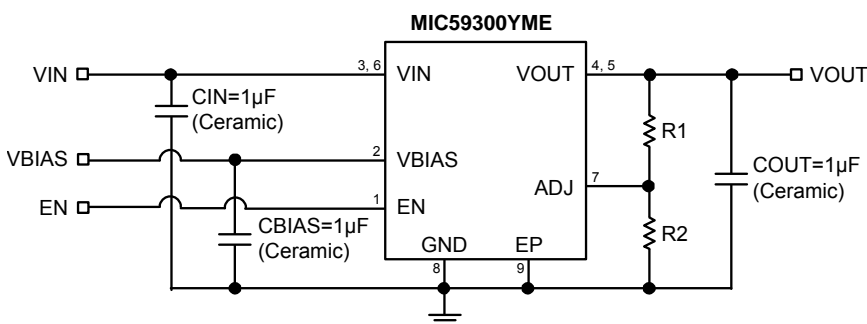
Features

- Input voltage range:
 - $V_{IN} = 1.0\text{V}$ to 3.8V
 - $V_{BIAS} = 3.0\text{V}$ to 5.5V
- Stable with $1\mu\text{F}$ ceramic capacitor
- $\pm 1\%$ initial tolerance
- Maximum dropout voltage of 500mV over temperature
- Adjustable output voltage down to 0.5V
- Ultra fast transient response
- Excellent line and load regulation specifications
- Logic controlled shutdown option
- Thermal shutdown and current limit protection
- Junction temperature range: -40°C to $+125^{\circ}\text{C}$
- TO-263 & 8-pin EPAD SOIC
- Pin Compatible Upgrade to MIC49300

Applications

- Telecommunications processors
- Graphics processors
- Computer peripheral cards
- Logic IC power supply
- SMPS post regulators
- Microprocessors
- Digital TV's

Typical Application



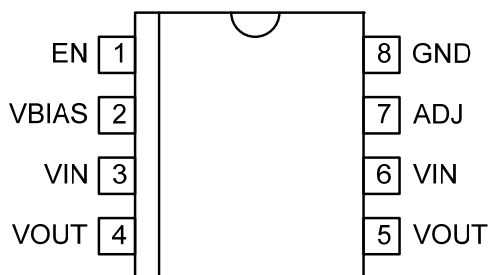
Ordering Information

| Part Number | Voltage ⁽¹⁾ | Junction Temperature Range | Package | Lead Finish |
|-----------------|------------------------|----------------------------|-----------------|----------------|
| MIC59300-1.2YME | 1.2V | -40°C to +125°C | 8-Pin EPAD SOIC | RoHS Compliant |
| MIC59300YME | Adj. | -40°C to +125°C | 8-Pin EPAD SOIC | RoHS Compliant |
| MIC59300-1.2WU | 1.2V | -40°C to +125°C | 5-Pin TO-263 | RoHS Compliant |
| MIC59300WU | Adj. | -40°C to +125°C | 5-Pin TO-263 | RoHS Compliant |

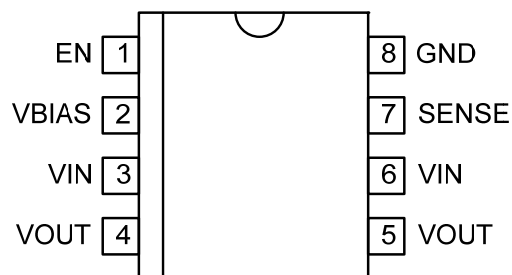
Note:

1. Other Voltage available. Contact Micrel for detail.

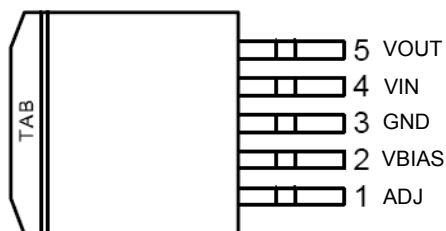
Pin Configuration



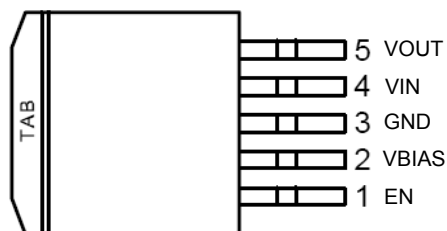
**8-Pin EPAD SOIC
MIC59300YME**



**8-Pin EPAD SOIC
MIC59300-1.2YME**



**5-Pin TO-263
MIC59300WU**



**5-Pin TO-263
MIC59300-1.2WU**

Pin Description

| Pin Number SOIC-8 | Pin Number TO-263 | Pin Name | Pin Function |
|----------------------|----------------------|----------|---|
| 1 | 1 (fixed) | EN | Enable (Input): CMOS compatible input. Logic high = enable, logic low = shutdown. |
| 2 | 2 | VBIAS | Input bias voltage for powering all circuitry on the regulator with the exception of the output power device. |
| 3, 6 | 4 | VIN | Input voltage needed for the output power device. |
| 4, 5 | 5 | VOUT | Regulator Output. |
| 7 (adjustable) | 1 (adjustable) | ADJ | Adjustable regulator feedback input. Connect to resistor voltage divider. |
| 7 (fixed) | | SENSE | Connect to VOUT for fixed voltage options. |
| 8 | 3 | GND | Ground. |
| 9 | 6 | EP | Exposed Pad: Connect to ground pin. |

Absolute Maximum Ratings⁽¹⁾

| | |
|------------------------------------|---------------------|
| Supply Voltage (V_{IN}) | -0.3V to +4V |
| Bias Supply Voltage (V_{BIAS}) | -0.3V to +6V |
| Enable Input Voltage (V_{EN}) | -0.3V to V_{BIAS} |
| Power Dissipation | Internally Limited |
| Storage Temperature (T_s) | -65°C to +150°C |
| ESD Rating ⁽³⁾ | 3kV |

Operating Ratings⁽²⁾

| | |
|------------------------------------|------------------------|
| Supply Voltage (V_{IN}) | 1V to 3.8V |
| Bias Supply Voltage (V_{BIAS}) | 3V to 5.5V |
| Enable Input Voltage (V_{EN}) | 0V to V_{BIAS} |
| Junction Temperature (T_J) | -40°C ≤ T_J ≤ +125°C |
| Package Thermal Resistance | |
| EPAD SOIC (θ_{JA}) | 41°C/W |
| TO-263 (θ_{JC}) | 6.3°C/W |

Electrical Characteristics⁽⁴⁾

$T_A = 25^\circ\text{C}$ with $V_{BIAS} = V_{OUT} + 2.2\text{V}$; $V_{IN} = V_{OUT} + 1\text{V}$; $I_{LOAD} = 10\text{mA}$; **bold** values indicate $0^\circ\text{C} \leq T_J \leq 85^\circ\text{C}$, unless otherwise specified.

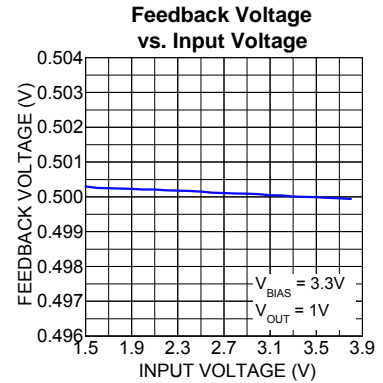
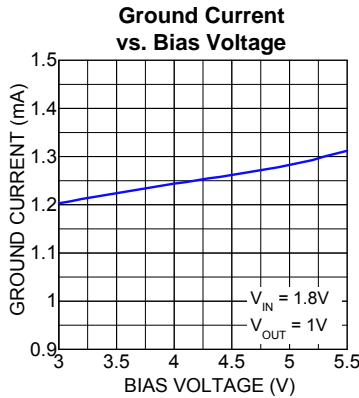
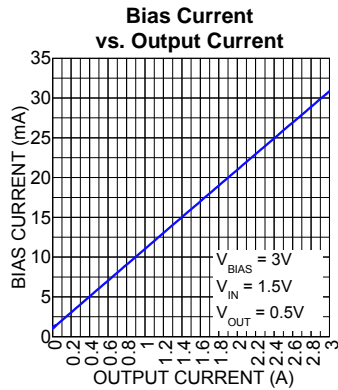
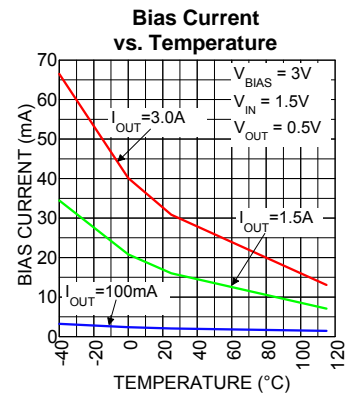
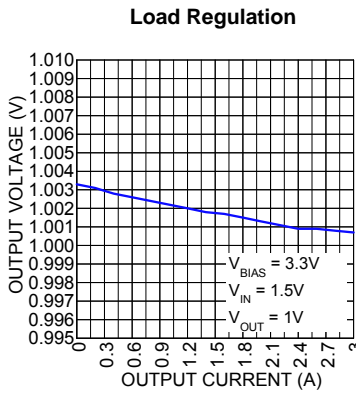
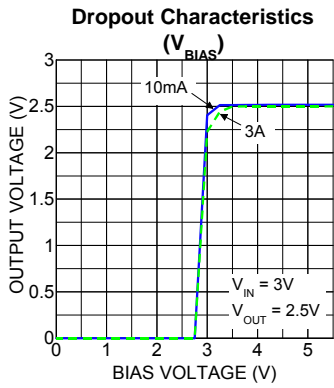
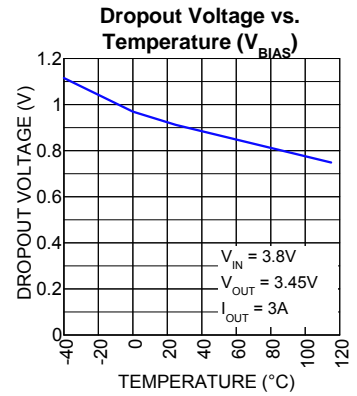
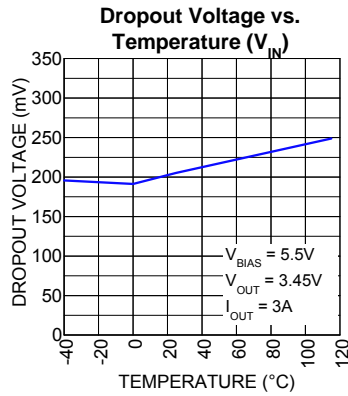
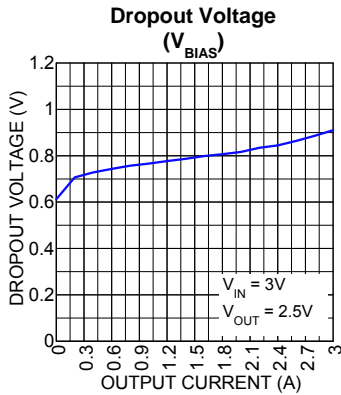
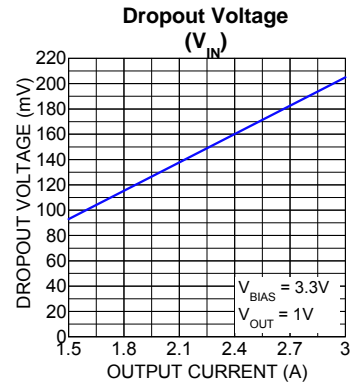
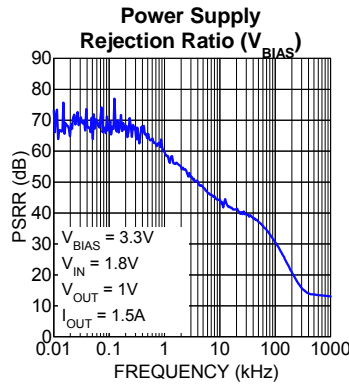
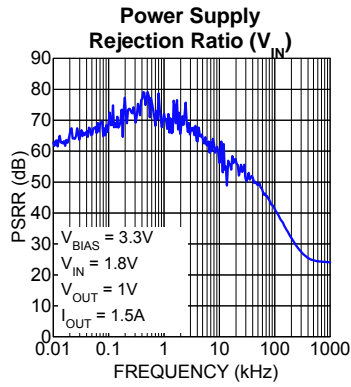
| Parameter | Condition | Min | Typ | Max | Units |
|--|---|--------------|--------|--------------|------------------|
| Output Voltage Accuracy (Fixed Voltage Options) | Room temperature | 1 | | 1 | % |
| | Over temperature range | 2 | | 2 | % |
| Line Regulation (V_{IN}) | $V_{IN} = V_{OUT} + 1\text{V}$ to 3.8V | | 0.0015 | 0.1 | %/V |
| Line Regulation (V_{BIAS}) | $V_{BIAS} = 3\text{V}$ to 5.5V ($V_{OUT} < 0.8\text{V}$) $V_{BIAS} = V_{OUT} + 2.2\text{V}$ to 5.5V ($V_{OUT} \geq 0.8\text{V}$) | | 0.035 | 0.3 | %/V |
| Feedback Voltage (Adjustable Output Voltage) | Room temperature | 0.495 | 0.5 | 0.505 | V |
| | Over temperature range | 0.490 | 0.5 | 0.510 | V |
| Output Voltage Load Regulation | $I_L = 10\text{mA}$ to 3A (SOIC) | | 0.15 | 0.5 | % |
| | $I_L = 10\text{mA}$ to 3A (TO-263) | | 0.15 | 0.5 | % |
| $V_{IN} - V_{OUT}$; Dropout Voltage | $I_L = 1.5\text{A}$ | | 93 | 250 | mV |
| | $I_L = 3\text{A}$ (SOIC) | | 205 | 400 | mV |
| | $I_L = 3\text{A}$ (TO-263) | | 205 | 500 | mV |
| $V_{BIAS} - V_{OUT}$; Dropout Voltage | $I_L = 3\text{A}$ | | 0.91 | 2.1 | V |
| V_{BIAS} supply current | $V_{EN} = 2\text{V}$, $I_L = 100\text{mA}$ | | 2 | 7.5 | mA |
| | $V_{EN} = 2\text{V}$, $I_L = 3\text{A}$ | | 30 | 150 | mA |
| V_{BIAS} shutdown current | $V_{EN} = 0\text{V}$ | | 0.1 | 1 | μA |
| V_{IN} shutdown current | $V_{EN} = 0\text{V}$ | | 0.1 | 1 | μA |
| FB bias current | Adj only | | 0.02 | 1 | μA |
| UVLO | V_{BIAS} rising | 2.7 | 2.85 | 3.0 | V |
| | Hysteresis | | 100 | | mV |
| Current Limit | $V_{OUT} = 0\text{V}$ | 3.3 | 4.7 | 9.0 | A |
| Enable Input | | | | | |
| Enable Input Threshold | Regulator enable | 1.6 | 0.85 | | V |
| | Regulator shutdown | | 0.75 | 0.3 | V |
| Enable Pin Input Current | Independent of state | | 0.002 | 1 | μA |
| AC Response | | | | | |
| Large signal bandwidth | | | 1 | | MHz |
| PSRR (BIAS) at 10kHz | $V_{BIAS} = 3.3\text{V}$, $I_{OUT} = 1.5\text{A}$ | | 45 | | dB |
| PSRR (IN) at 10kHz | $V_{IN} = V_{OUT} + 1\text{V}$, $I_{OUT} = 1.5\text{A}$ | | 65 | | dB |
| | $V_{IN} = V_{OUT} + 0.3\text{V}$, $I_{OUT} = 1.5\text{A}$ | | 55 | | dB |
| Thermal Shutdown | | | 145 | | $^\circ\text{C}$ |

| | | | | | |
|-----------------------------|--|--|----|------------|----|
| Thermal Shutdown Hysteresis | | | 10 | | °C |
| Turn-on Time | | | 90 | 300 | μs |

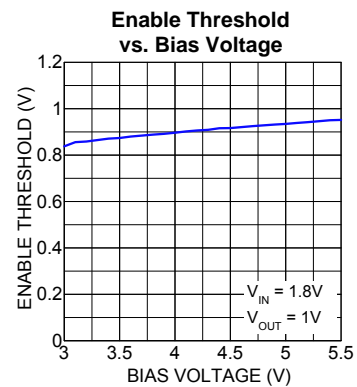
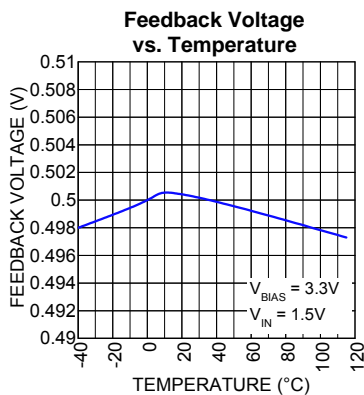
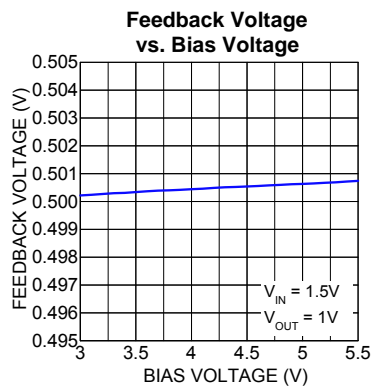
Notes:

1. Exceeding the absolute maximum rating may damage the device.
2. The device is not guaranteed to function outside its operating rating.
3. Devices are ESD sensitive. Handling precautions recommended. Human body model, 1.5kΩ in series with 100pF.
4. Specification for packaged product only.

Typical Characteristics

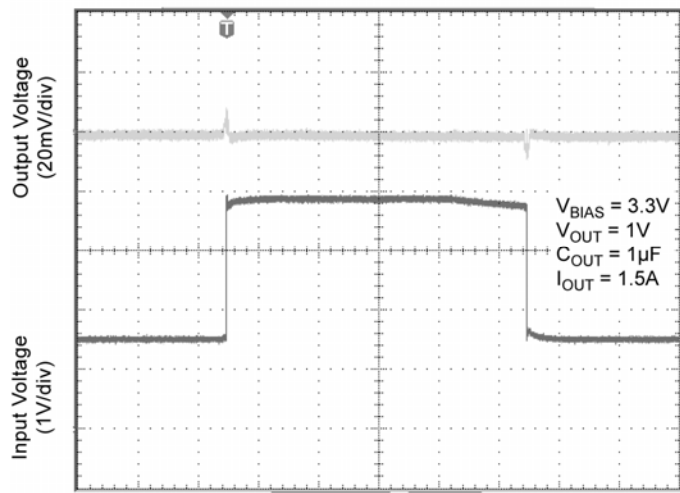


Typical Characteristics (continued)

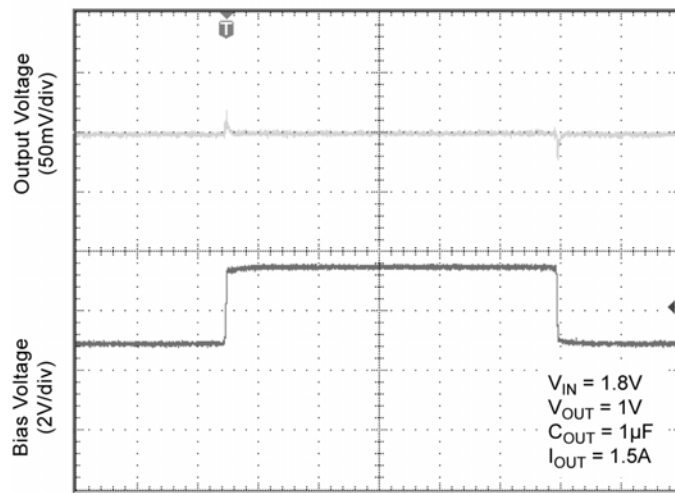


Functional Characteristics

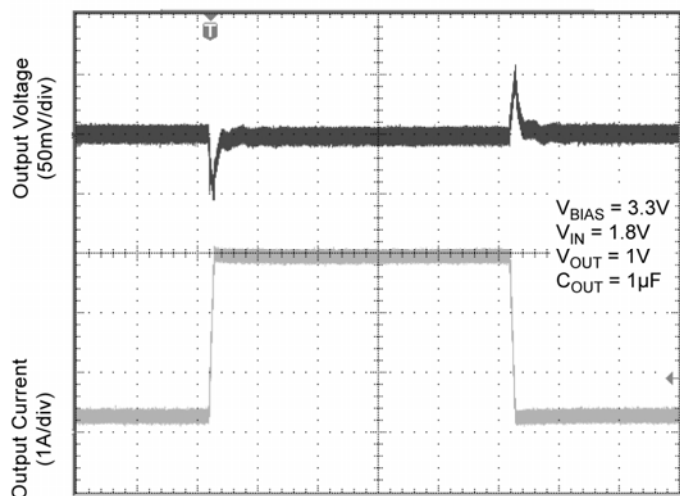
Line Transient (V_{IN})



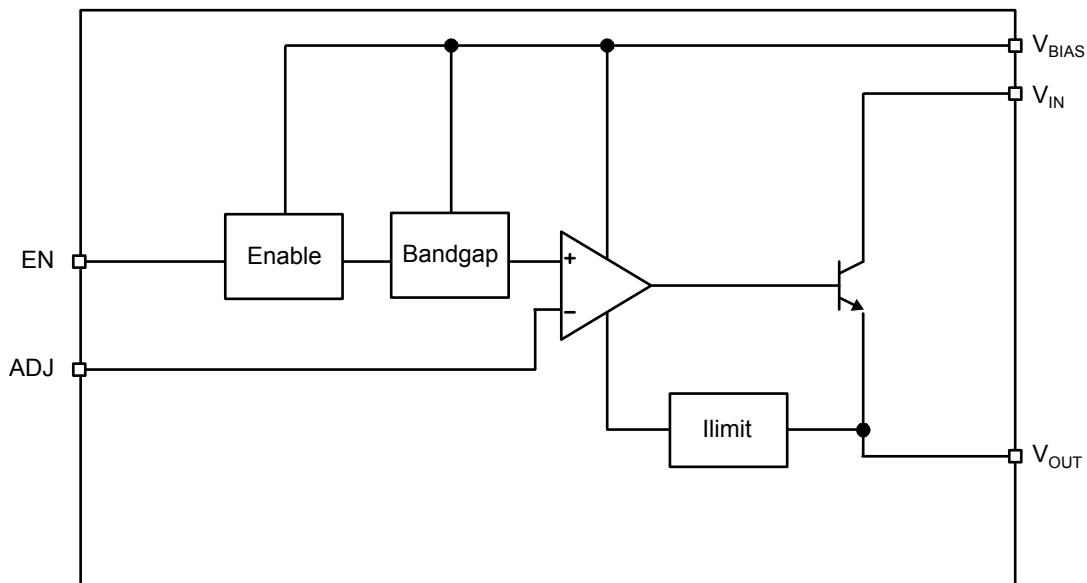
Line Transient (V_{BIAS})



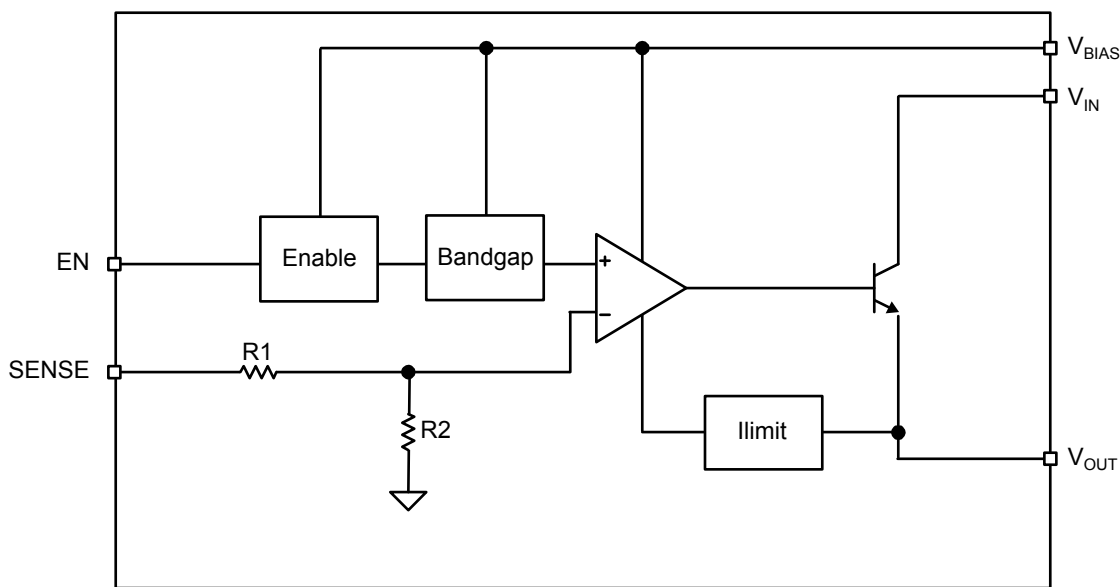
Load Transient



Functional Diagram



MIC59300 (Adj) Block Diagram



MIC59300 (Fixed) Block Diagram

Application Information

The MIC59300 is an ultra-high performance, low-dropout linear regulator designed for high current applications requiring a fast transient response. The MIC59300 utilizes two input supplies, significantly reducing dropout voltage, making it perfect for low-voltage, DC-to-DC conversion. The MIC59300 requires a minimum number of external components, and as a μ Cap regulator, the output is tolerant of virtually any type of capacitor, including ceramic type and tantalum type capacitors.

The MIC59300 regulator is fully protected from damage due to fault conditions, offering linear current limiting and thermal shutdown.

Bias Supply Voltage

V_{BIAS} , requiring relatively light current, provides power to the control portion of the MIC59300. V_{BIAS} requires approximately 30mA for a 3A load current. Dropout conditions require higher currents. Most of the biasing current is used to supply the base current to the pass transistor. The bias voltage allows the pass element to be driven into saturation, reducing the dropout to 205mV at a 3A load current. Bypassing on the bias pin is recommended to improve performance of the regulator during line and load transients. Small ceramic capacitors from V_{BIAS} -to-ground help reduce high frequency noise from being injected into the control circuitry from the bias rail and constitute good design practice. Good bypass techniques typically include one larger capacitor such as 1 μ F ceramic and smaller valued capacitors such as 0.01 μ F or 0.001 μ F in parallel with that larger capacitor to decouple the bias supply. The V_{BIAS} input voltage must be 2.1V above the output voltage with a minimum V_{BIAS} input voltage of 3V.

Input Supply Voltage

V_{IN} provides the high current to the collector of the pass transistor. The minimum input voltage is 1.0V, allowing conversion from low voltage supplies.

Output Capacitor

The MIC59300 requires a minimum of output capacitance to maintain stability. However, proper capacitor selection is important to ensure desired transient response. The MIC59300 is specifically designed to be stable with virtually any capacitance value and ESR. A 1 μ F ceramic chip capacitor should satisfy most applications. Output capacitance can be increased without bound. See the “*Functional Characteristics*” for examples of load transient response.

X7R dielectric ceramic capacitors are recommended because of their temperature performance. X7R-type capacitors change capacitance by 15% over their operating temperature range and are the most stable type of ceramic capacitors. Z5U and Y5V dielectric

capacitors change value by as much as 50% and 60% respectively over their operating temperature ranges. To use a ceramic chip capacitor with Y5V dielectric, the value must be much higher than an X7R ceramic or a tantalum capacitor to ensure the same capacitance value over the operating temperature range. Tantalum capacitors have a very stable dielectric (10% over their operating temperature range) and can also be used with this device.

Input Capacitor

An input capacitor of 1 μ F or greater is recommended when the device is more than 4 inches away from the bulk supply capacitance, or when the supply is a battery. Small, surface-mount, ceramic chip capacitors can be used for the bypassing. The capacitor should be placed within 1 inch of the device for optimal performance. Larger values will help to improve ripple rejection by bypassing the input to the regulator, further improving the integrity of the output voltage.

Thermal Design

Linear regulators are simple to use. The most complicated design parameters to consider are thermal characteristics. Thermal design requires the following application-specific parameters:

- Maximum ambient temperature (T_A)
- Output current (I_{OUT})
- Output voltage (V_{OUT})
- Input voltage (V_{IN})
- Ground current (I_{GND})

First, calculate the power dissipation (P_D) of the regulator from these numbers and the device parameters from this datasheet.

$$P_D = V_{IN} \times I_{IN} + V_{BIAS} \times I_{BIAS} - V_{OUT} \times I_{OUT}$$

The input current will be less than the output current at high output currents as the load increases. The bias current is a sum of base drive and ground current. Ground current is constant over load current. Then the heat sink thermal resistance is determined with this formula:

$$\theta_{SA} = \left(\frac{T_{J(MAX)} - T_A}{P_D} \right) - (\theta_{JC} + \theta_{CS})$$

The heat sink may be significantly reduced in applications where the maximum input voltage is known and large compared with the dropout voltage. Use a series input resistor to drop excessive voltage and distribute the heat between this resistor and the regulator. The low-dropout properties of the MIC59300 allow significant reductions in regulator power dissipation and the associated heat sink without compromising performance. When this technique is employed, a

capacitor of at least 1 μ F is needed directly between the input and regulator ground. Refer to “*Application Note 9*” (http://www.micrel.com/_PDF/App-Notes/an-9.pdf) for further details and examples on thermal design and heat sink specification.

Minimum Load Current

The MIC59300, unlike most other high current regulators, does not require a minimum load to maintain output voltage regulation.

Adjustable Regulator Design

The MIC59300 adjustable version allows programming the output voltage anywhere between 0.5V and 3.3V. Two resistors are used. The resistor value between V_{OUT} and the adjust pin should not exceed 10k Ω . Larger values can cause instability. The resistor values are calculated by:

$$R_1 = R_2 \times \left(\frac{V_{OUT}}{0.5} - 1 \right)$$

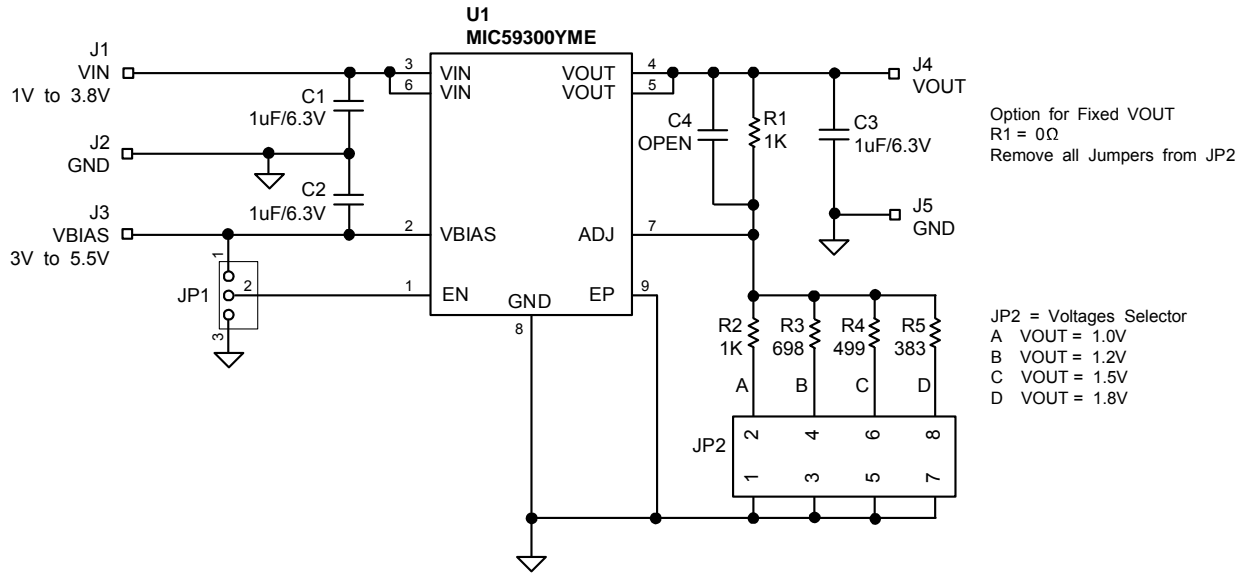
where V_{OUT} is the desired output voltage.

Enable

An active high enable input (EN) allows on-off control of the regulator. Current drain reduces to “zero” when the device is shutdown, with only microamperes of leakage current. The EN input has CMOS compatible thresholds for simple logic interfacing. EN may be directly tied to V_{BIAS} and pulled up to the maximum supply voltage.

EPad

The exposed pad on the bottom of the SOIC part must be connected to ground.



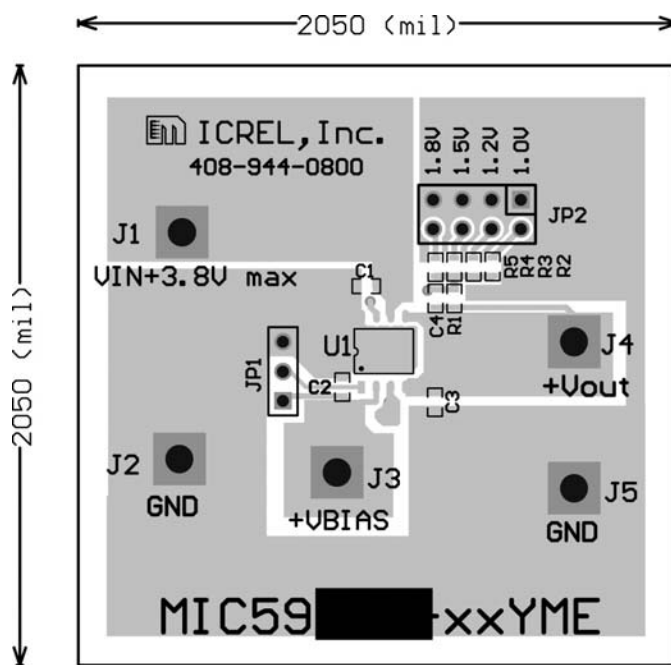
Bill of Materials

| Item | Part Number | Manufacturer | Description | Qty. |
|-----------|--------------------|-----------------------------------|-------------------------------------|----------|
| C1,C2 | C1608X5R0J105K | TDK ⁽¹⁾ | 1uF Ceramic Capacitor X5R 0603 6.3V | 3 |
| C3 | GRM188R60J105KA01D | Murata ⁽²⁾ | | |
| | 0603D105KAT2A | AVX ⁽³⁾ | | |
| C4 | | | Open | 1 |
| R1,R2 | CRCW06031K00FKXX | Vishay ⁽⁴⁾ | 1kΩ 1% 0603 Resistor | 2 |
| R3 | CRCW0603698RFKXX | Vishay ⁽⁴⁾ | 698Ω 1% 0603 Resistor | 1 |
| R4 | CRCW0603499RFKXX | Vishay ⁽⁴⁾ | 499Ω 1% 0603 Resistor | 1 |
| R5 | CRCW0603383RFKXX | Vishay ⁽⁴⁾ | 383Ω 1% 0603 Resistor | 1 |
| U1 | MIC59300YME | Micrel, Inc.⁽⁵⁾ | Ultra High Speed 3A LDO | 1 |

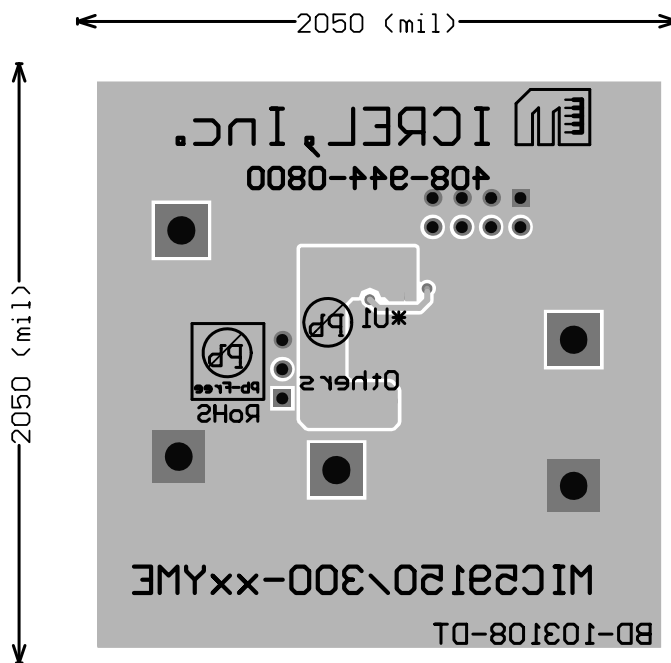
Notes:

1. TDK: www.tdk.com
2. Murata Tel: www.murata.com
3. AVX Tel: www.avx.com
4. Vishay Tel: www.vishay.com
5. Micrel, Inc.: www.micrel.com

PCB Layout Recommendations

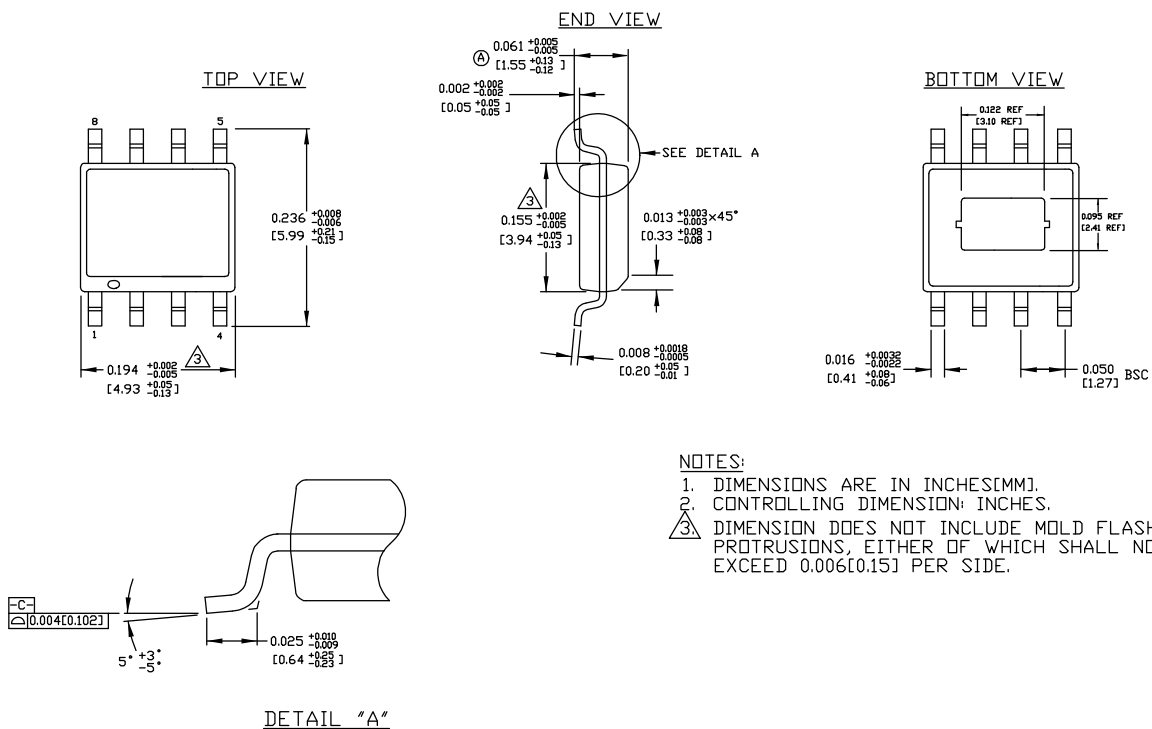


Top Layer



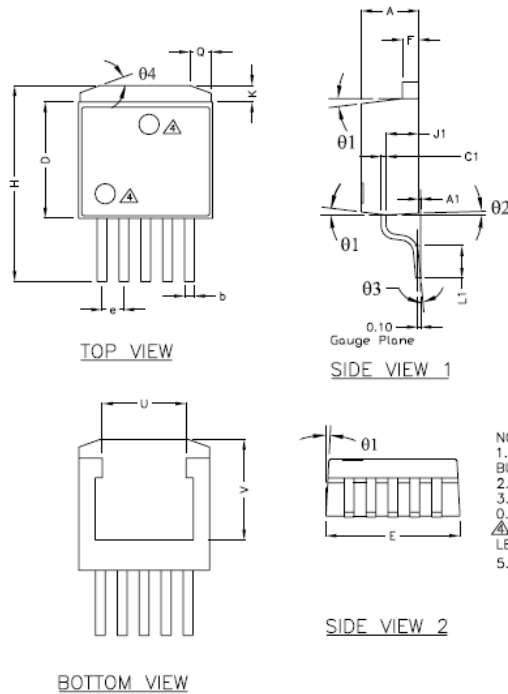
Bottom Layer

Package Information



- NOTES:**
1. DIMENSIONS ARE IN INCHES[MM].
 2. CONTROLLING DIMENSION: INCHES.
 3. DIMENSION DOES NOT INCLUDE MOLD FLASH OR PROTRUSIONS, EITHER OF WHICH SHALL NOT EXCEED 0.006[0.15] PER SIDE.

8-Pin EPAD SOIC (ME)



| POS | INCH | | MM | |
|-----|-------|-------|--------|--------|
| | MIN | MAX | MIN | MAX |
| A | 0.170 | 0.181 | 4.318 | 4.597 |
| A1 | 0.000 | 0.012 | 0.000 | 0.305 |
| b | 0.026 | 0.036 | 0.660 | 0.914 |
| C1 | 0.012 | 0.023 | 0.305 | 0.584 |
| D | 0.330 | 0.361 | 8.392 | 9.169 |
| E | 0.396 | 0.420 | 10.058 | 10.668 |
| e | 0.062 | 0.072 | 1.575 | 1.829 |
| F | 0.045 | 0.055 | 1.143 | 1.397 |
| H | 0.575 | 0.625 | 14.605 | 15.875 |
| J1 | 0.080 | 0.120 | 2.032 | 3.048 |
| K | 0.045 | 0.066 | 1.143 | 1.676 |
| L1 | 0.090 | 0.110 | 2.286 | 2.794 |
| θ1 | 3° | 10° | 3° | 10° |
| θ2 | 1° | 7° | 1° | 7° |
| θ3 | 0° | 8° | 0° | 8° |
| θ4 | 18° | 22° | 18° | 22° |
| Q | 0.055 | 0.075 | 1.397 | 1.905 |
| U | 0.256 | Ref. | 6.502 | Ref. |
| V | 0.305 | Ref. | 7.747 | Ref. |

NOTE:
 1. PACKAGE OUTLINE EXCLUSIVE OF MOLD FLASH & METAL BURR.
 2. PACKAGE OUTLINE INCLUSIVE OF PLATING THICKNESS.
 3. FOOT LENGTH USING GAUGE PLANE METHOD MEASUREMENT 0.010"
 ▲ PACKAGE TOP MARK MAY BE IN TOP CENTER OR LOWER LEFT CORNER
 5. ALL DIMENSIONS ARE IN INCHES/MILLIMETERS.

5-Pin TO-263 (WU)

MICREL, INC. 2180 FORTUNE DRIVE SAN JOSE, CA 95131 USA
 TEL +1 (408) 944-0800 FAX +1 (408) 474-1000 WEB <http://www.micrel.com>

The information furnished by Micrel in this data sheet is believed to be accurate and reliable. However, no responsibility is assumed by Micrel for its use. Micrel reserves the right to change circuitry and specifications at any time without notification to the customer.

Micrel Products are not designed or authorized for use as components in life support appliances, devices or systems where malfunction of a product can reasonably be expected to result in personal injury. Life support devices or systems are devices or systems that (a) are intended for surgical implant into the body or (b) support or sustain life, and whose failure to perform can be reasonably expected to result in a significant injury to the user. A Purchaser's use or sale of Micrel Products for use in life support appliances, devices or systems is a Purchaser's own risk and Purchaser agrees to fully indemnify Micrel for any damages resulting from such use or sale.

© 2009 Micrel, Incorporated.