



**3.3V SINGLE SUPPLY QUAD
PECL-TO-TTL W/LATCHED
OUTPUT ENABLE**

**Precision Edge®
SY10H841L
SY100H841L**

FEATURES

- 3.3V power supply
- Translates positive ECL to TTL (PECL-to-TTL)
- 300ps pin-to-pin skew
- 500ps part-to-part skew
- Differential internal design for increased noise immunity and stable threshold inputs
- VBB reference output
- Single supply
- Enable input
- Latch enable input
- Extra TTL and ECL power/ground pins to reduce cross-talk/noise
- High drive capability: 24mA each output
- Fully compatible with industry standard 10K, 100K I/O levels
- Available in 16-pin SOIC package



Precision Edge®

DESCRIPTION

The SY10/100H841L are single supply, low skew translating 1:4 clock drivers.

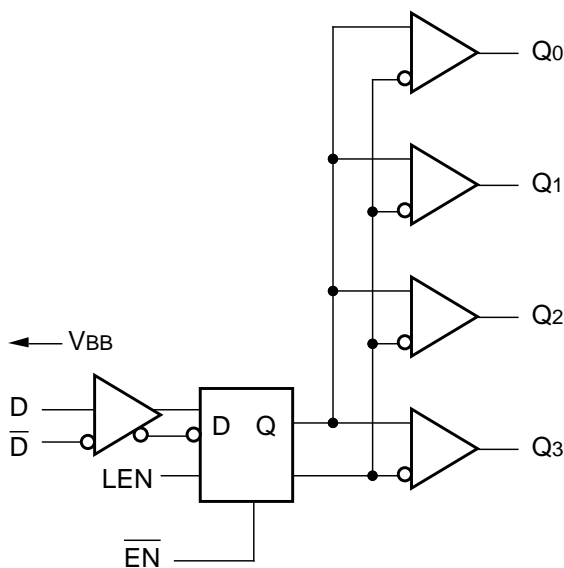
The devices feature a 24mA TTL output stage, with AC performance specified into a 20pF load capacitance.

A latch is provided on-chip. When LEN is LOW (or left open, in which case it is pulled low by the internal pull-downs) the latch is transparent. A HIGH on the enable pin (\overline{EN}) forces all outputs LOW.

As frequencies increase to 40MHz and above, precise timing and shaping of clock signals becomes extremely important. The H841 solves several clock distribution problems such as minimizing skew (300ps), maximizing clock fanout (24mA drive), and precise duty cycle control through a proprietary differential internal design.

The 10K version is compatible with 10KH ECL logic levels. The 100K version is compatible with 100K levels.

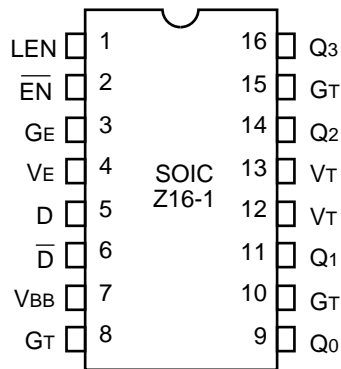
BLOCK DIAGRAM



PIN NAMES

Pin	Function
GT	TTL Ground (0V)
VT	TTL Vcc (+3.3V)
VE	ECL Vcc (+3.3V)
GE	ECL Ground (0V)
D, \overline{D}	Signal Input (PECL)
VBB	VBB Reference Output (PECL)
Q0 - Q3	Signal Outputs (TTL)
\overline{EN}	Enable Input (PECL)
LEN	Latch Enable Input

PACKAGE/ORDERING INFORMATION



16-Pin SOIC (Z16-1)

Ordering Information⁽¹⁾

Part Number	Package Type	Operating Range	Package Marking	Lead Finish
SY10H841LZC	Z16-1	Commercial	SY10H841LZC	Sn-Pb
SY10H841LZCTR ⁽²⁾	Z16-1	Commercial	SY10H841LZC	Sn-Pb
SY100H841LZC	Z16-1	Commercial	SY100H841LZC	Sn-Pb
SY100H841LZCTR ⁽²⁾	Z16-1	Commercial	SY100H841LZC	Sn-Pb
SY10H841LZH ⁽³⁾	Z16-1	Commercial	SY10H841LZH with Pb-Free bar-line indicator	NiPdAu Pb-Free
SY10H841LZHTR ^(2, 3)	Z16-1	Commercial	SY10H841LZH with Pb-Free bar-line indicator	NiPdAu Pb-Free
SY100H841LZH ⁽³⁾	Z16-1	Commercial	SY100H841LZH with Pb-Free bar-line indicator	NiPdAu Pb-Free
SY100H841LZHTR ^(2, 3)	Z16-1	Commercial	SY100H841LZH with Pb-Free bar-line indicator	NiPdAu Pb-Free

Notes:

1. Contact factory for die availability. Dice are guaranteed at T_A = 25°C, DC Electricals only.
2. Tape and Reel.
3. Pb-Free package is recommended for new designs.

TRUTH TABLE

D	LEN	EN	Q
L	L	L	L
H	L	L	H
X	X	H	L
X	H	L	Latch

ABSOLUTE MAXIMUM RATINGS⁽¹⁾

Symbol	Rating	Value	Unit
VE (ECL) VT (TTL)	Power Supply Voltage	-0.5 to +7.0 -0.5 to +7.0	V
VI (ECL) VOUT (TTL)	Input Voltage	0.0 to VEE 0.0 to VT	V
TLEAD	Lead Temperature Range (soldering, 20sec)	+260	°C
Tstore	Storage Temperature	-65 to +150	°C
TA	Operating Temperature	0 to +85	°C

NOTE:

1. Permanent device damage may occur if absolute maximum ratings are exceeded. This is a stress rating only and functional operation is not implied at conditions other than those detailed in the operational sections of this data sheet. Exposure to absolute maximum rating conditions for extended periods may affect device reliability.

PIN DESCRIPTION

Pin	Symbol	Description
1	LEN	Latch Enable Input
2	EN	Enable Input (PECL)
3	GE	ECL Ground (0V)
4	VE	ECL Vcc (+3.3V)
5	D	ECL Signal Input (Non-inverting)
6	D̄	ECL Signal Input (Inverting)
7	VBB	VBB Reference Output (PECL)
8	GT	TTL Ground (0V)
9	Q0	Signal Output (TTL)
10	GT	TTL Ground (0V)
11	Q1	Signal Output (TTL)
12	VT	TTL Vcc (+3.3V)
13	VT	TTL Vcc (+3.3V)
14	Q2	Signal Output (TTL)
15	GT	TTL Ground (0V)
16	Q3	Signal Output (TTL)

DC CHARACTERISTICS

VT = VE = +3.0V to +3.6V

Symbol	Parameter		TA = 0°C		TA = +25°C		TA = +85°C		Unit	Condition
			Min.	Max.	Min.	Max.	Min.	Max.		
IEE	Power Supply Current	ECL	—	40	—	40	—	40	mA	VE Pin
ICCH	Power Supply Current	TTL	—	20	—	20	—	20	mA	Total all VT pins
ICCL			—	25	—	25	—	25		

TTL DC ELECTRICAL CHARACTERISTICS

VT = VE = +3.0V to +3.6V

Symbol	Parameter	TA = 0°C		TA = +25°C		TA = +85°C		Unit	Condition
		Min.	Max.	Min.	Max.	Min.	Max.		
VOH	Output HIGH Voltage	2.0	—	2.0	—	2.0	—	V	IOH = -3.0mA
VOL	Output LOW Voltage	—	0.5	—	0.5	—	0.5	V	IOL = 24mA
Ios	Output Short Circuit Current	-80	—	-80	—	-80	—	mA	VOUT = 0V

10H ECL DC ELECTRICAL CHARACTERISTICS(1)

VT = VE = +3.0V to +3.6V

Symbol	Parameter	TA = 0°C		TA = +25°C		TA = +85°C		Unit	Condition
		Min.	Max.	Min.	Max.	Min.	Max.		
I _{IH}	Input HIGH Current	—	225	—	175	—	175	μA	—
I _{IL}	Input LOW Current	0.5	—	0.5	—	0.5	—	μA	—
V _{IH}	Input HIGH Voltage	2.130	2.460	2.170	2.490	2.240	2.580	V	VE = 3.3V
V _{IL}	Input LOW Voltage	1.350	1.820	1.350	1.820	1.350	1.855	V	VE = 3.3V
V _{BB}	Output Reference Voltage	1.920	2.030	1.950	2.050	1.990	2.110	V	VE = 3.3V

Note:

1. ECL V_{IH}, V_{IL} and V_{BB} are referenced to V_{CC}E and will vary 1:1 with the power supply. The levels shown are for I_{VT} = I_{VO} = V_{CC}E = +3.3V.

100H ECL DC ELECTRICAL CHARACTERISTICS(1)

VT = VE = +3.0V to +3.6V

Symbol	Parameter	TA = 0°C		TA = +25°C		TA = +85°C		Unit	Condition
		Min.	Max.	Min.	Max.	Min.	Max.		
I _{IH}	Input HIGH Current	—	225	—	175	—	175	μA	—
I _{IL}	Input LOW Current	0.5	—	0.5	—	0.5	—	μA	—
V _{IH}	Input HIGH Voltage	2.135	2.420	2.135	2.420	2.135	2.420	V	VE = 3.3V
V _{IL}	Input LOW Voltage	1.490	1.825	1.490	1.825	1.490	1.825	V	VE = 3.3V
V _{BB}	Output Reference Voltage	1.920	2.040	1.920	2.040	1.920	2.040	V	VE = 3.3V

Note:

1. ECL V_{IH}, V_{IL} and V_{BB} are referenced to V_{CC}E and will vary 1:1 with the power supply. The levels shown are for I_{VT} = I_{VO} = V_{CC}E = +3.3V.

AC CHARACTERISTICS

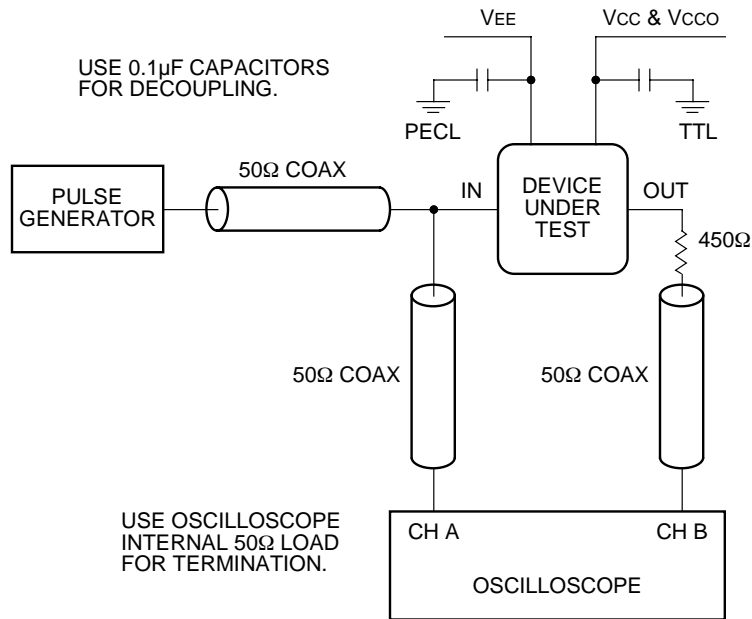
VT = VE = +3.0V to +3.6V

Symbol	Parameter		TA = 0°C		TA = +25°C		TA = +85°C		Unit	Condition
			Min.	Max.	Min.	Max.	Min.	Max.		
t _{PLH} t _{PHL}	Propagation Delay D to Output	Q ₀ –Q ₃	2.2	3.2	2.1	3.1	2.0	3.0	ns	CL = 20pF
t _{skpp}	Part-to-Part Skew(1,4)	Q ₀ –Q ₃	—	0.5	—	0.5	—	0.5	ns	CL = 20pF
t _{skew++}	Within-Device Skew(2,4)	Q ₀ –Q ₃	—	0.3	—	0.3	—	0.3	ns	CL = 20pF
t _{skew--}	Within-Device Skew(3,4)	Q ₀ –Q ₃	—	0.3	—	0.3	—	0.3	ns	CL = 20pF
t _{PLH} t _{PHL}	Propagation Delay LEN to Q	Q ₀ –Q ₃	2.2	3.2	2.1	3.1	2.0	3.0	ns	CL = 20pF
t _{PLH} t _{PHL}	Propagation Delay EN to Output	Q ₀ –Q ₃	2.2	3.2	2.1	3.1	2.0	3.0	ns	CL = 20pF
t _r t _f	Output Rise/Fall Time 1.0V to 2.0V	Q ₀ –Q ₃	—	1.5	—	1.5	—	1.5	ns	CL = 20pF
f _{MAX}	Max. Input Frequency(5,6)	Q ₀ –Q ₃	160	—	160	—	160	—	MHz	CL = 20pF
—	Pulse Width	Q ₀ –Q ₃	1.5	—	1.5	—	1.5	—	ns	—
—	Recovery Time \overline{EN}	Q ₀ –Q ₃	1.0	—	1.0	—	1.0	—	ns	—
t _s	Set-up Time D, \overline{EN}	Q ₀ –Q ₃	0.75	—	0.75	—	0.75	—	ns	—
t _H	Hold Time D, EN	Q ₀ –Q ₃	0.75	—	0.75	—	0.75	—	ns	—

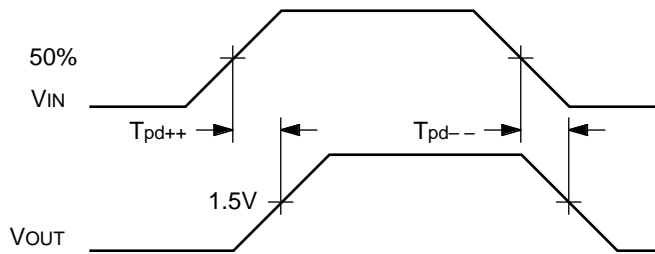
Notes:

1. Device-to-Device Skew considering HIGH-to-HIGH transitions at common V_{CC} level.
2. Within-Device Skew considering HIGH-to-HIGH transitions at common V_{CC} level.
3. Within-Device Skew considering LOW-to-LOW transitions at common V_{CC} level.
4. All skew parameters are guaranteed but not tested.
5. Frequency at which output levels will meet a 0.8V to 2.0V minimum swing.
6. The f_{MAX} value is specified as the minimum guaranteed maximum frequency. Actual operational maximum frequency may be greater.

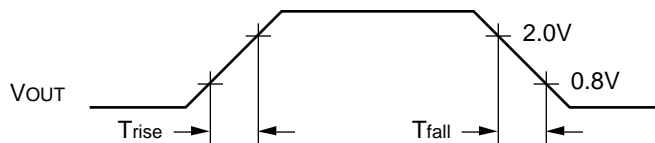
TTL SWITCHING CIRCUIT



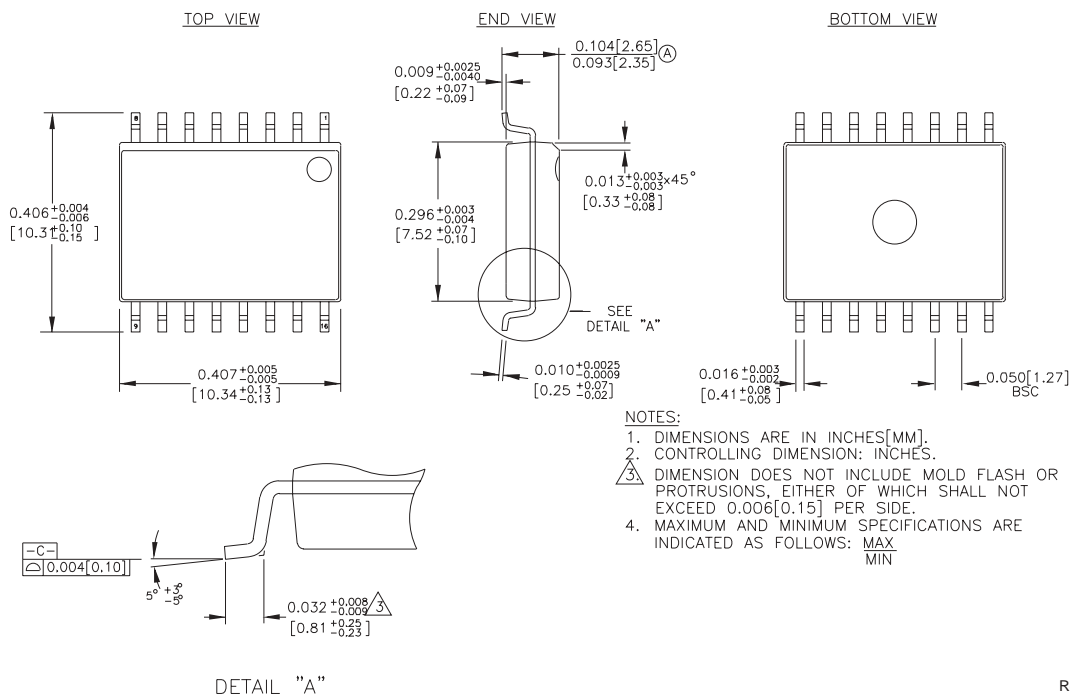
ECL/TTL PROPAGATION DELAY — SINGLE ENDED



ECL/TTL WAVEFORMS: RISE AND FALL TIMES



16-PIN SOIC .300" WIDE (Z16-1)



Rev. 03

MICREL, INC. 2180 FORTUNE DRIVE SAN JOSE, CA 95131 USA

TEL + 1 (408) 944-0800 FAX + 1 (408) 474-1000 WEB <http://www.micrel.com>

The information furnished by Micrel in this data sheet is believed to be accurate and reliable. However, no responsibility is assumed by Micrel for its use. Micrel reserves the right to change circuitry and specifications at any time without notification to the customer.

Micrel Products are not designed or authorized for use as components in life support appliances, devices or systems where malfunction of a product can reasonably be expected to result in personal injury. Life support devices or systems are devices or systems that (a) are intended for surgical implant into the body or (b) support or sustain life, and whose failure to perform can be reasonably expected to result in a significant injury to the user. A Purchaser's use or sale of Micrel Products for use in life support appliances, devices or systems is at Purchaser's own risk and Purchaser agrees to fully indemnify Micrel for any damages resulting from such use or sale.

© 2006 Micrel, Incorporated.