

# Low Leakage Diode

# 1N3595

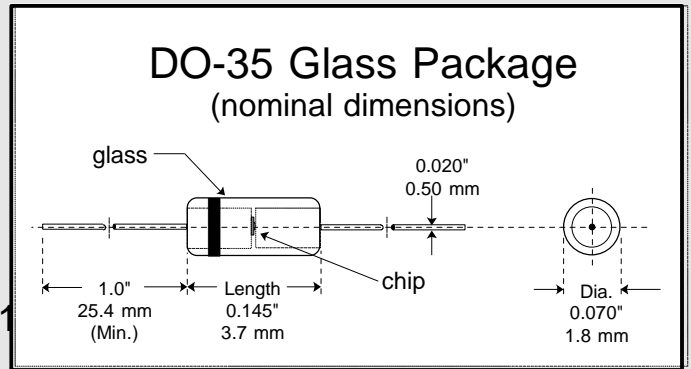
# DO-35 Glass Package

## Applications

Used in instrumentation applications, where low leakage and high voltage isolation are important.

## Features

- Six sigma quality
- Metallurgically bonded
- BKC's Sigma Bond™ plating for problem free solderability
- LL-34/35 MELF SMD available
- Full approval to Mil-S-19500/241
- Available up to JANTXV-1 levels
- "S" level screening available to Source Control Drawings using a DO-35 tungsten, hard glass voidless package for Space applications



Maximum Ratings	Symbol	Value	Unit	
Peak Inverse Voltage	PIV	150 (Min.)	Volts	
Average Rectified Current	$I_{Avg}$	150	mAmps	
Continuous Forward Current	$I_{Fdc}$	150	mAmps	
Peak Surge Current ( $t_{peak} = 1 \mu\text{sec.}$ )	$I_{peak}$	4.0	Amps	
BKC Power Dissipation @ $T_L = 50^\circ\text{C}$ , $L = 3/8"$ from body	$P_{tot}$	500	mWatts	
Storage & Operating Temperature Range	$T_{St \& Op}$	-65 to +200	$^\circ\text{C}$	
Electrical Characteristics @ 25°C	Symbol	Minimum	Maximum	Unit
Forward Voltage Drop @ $I_F = 1 \text{ mA}$	$V_F$	0.52	0.68	Volts
Forward Voltage Drop @ $I_F = 5 \text{ mA}$	$V_F$	0.60	0.75	Volts
Forward Voltage Drop @ $I_F = 10 \text{ mA}$	$V_F$	0.65	0.80	Volts
Forward Voltage Drop @ $I_F = 50 \text{ mA}$	$V_F$	0.74	0.88	Volts
Forward Voltage Drop @ $I_F = 100 \text{ mA}$	$V_F$	0.79	0.92	Volts
Forward Voltage Drop @ $I_F = 200 \text{ mA}$	$V_F$	0.83	1.0	Volts
Reverse Leakage Current @ $V_R = 125 \text{ V}$	$I_R$		1.0	nA
Reverse Leakage Current @ $V_R = 125 \text{ V}$	$I_R$		500 @ 150°C	nA
Capacitance @ $V_R = 0 \text{ V}$ , $f = 1 \text{ MHz}$	$C_T$		8.0	pF
Reverse Recovery Time (note 1)	$t_{rr}$		3.0	$\mu\text{Secs}$

Note 1: Per Method 4031-B of MIL-STD-750 with  $I_F = 10 \text{ mA}$ ,  $V_R = 35 \text{ V}$ ,  $R_L = 1.0 \text{ K Ohms}$ ,  $C = 10 \text{ Pf}$

**For military parts use the 1N3595-1 number with the appropriate JAN, JTX or JTXV prefix.**  
The SMD DO-213AA comes in commercial (LL3595) and military versions (1N3595UR-1).



6 Lake Street - Lawrence, MA 01841

Tel: 978-681-0392 - Fax: 978-681-9135

