

Table 1. Electrical Performance

Parameter	Symbol	Min.	Typ	Max	Units
Nominal Frequency	F_{NOM}	8.000		60.000	MHz
Mode		Fundamental or 3rd Overtone			
Operating Temperature Range	T_{OP}	0/70, -10/70, -20/70, -40/85			°C
Stability Over T_{OP}^1	F_{STAB}	±10		±100	ppm
Frequency Tolerance ²	F_{TOL}		±10	±20	ppm
Load Capacitance	C_L	6		32	pF
Shunt Capacitance	C_o			5	pF
Drive Level			10	100	uW
Aging / 1st year (at 25 °C)	F_{AGE}			±5	ppm
Insulation Resistance		500			MOhm
Storage Temperature	T_{STO}	-40		90	°C
Equivalent Series Resistance					
Crystal Frequency	ESR				Ohm
8.000MHz-12.000MHz				100	
12.001MHz-16.000MHz				80	
16.001MHz-20.000MHz				70	
20.001MHz-60.000MHz				50	

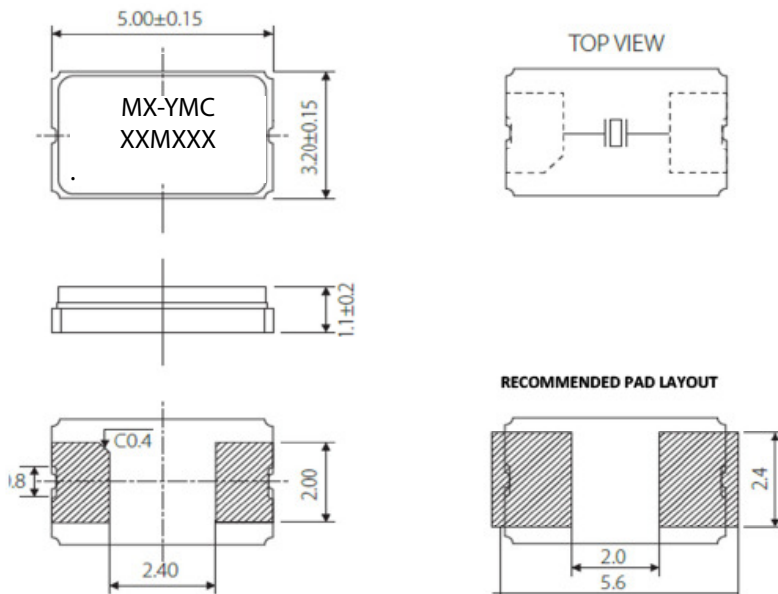
Notes:

1. Referenced to the Frequency at 25 °C.
2. Frequency measured at 25 °C ± 3 °C.

Product is compliant to RoHS directive and fully compatible with lead free assembly.



Package Drawing



Part Marking:

MX = VXM1 Product Family

Y = Year

M = Month

A = January

B = February

C = March

D = April

E = May

F = June

G = July

H = August

I = September

J = October

K = November

L = December

C = Manufacturing Location

XXMXXX = frequency

All Dimensions in mm

Table 2. Environmental Compliance

Parameter	Conditions
Mechanical Shock	MIL-STD-883, Method 2002, Condition B
Mechanical Vibration	MIL-STD-883, Method 2007, Condition A
Temperature Cycle	MIL-STD-883, Method 1010, Condition B
Solderability	MIL-STD-202-210, Condition B
Gross and Fine Leak	MIL-STD-883, Method 1014
Altitude	MIL-STD-883, Method 1001, Condition B
Moisture Sensitivity Level	MSL 1
Contact Pads	Gold (0.3 um min) over Nickel
Weight	38 mg

Reliability & IR Compliance

Solderprofile:

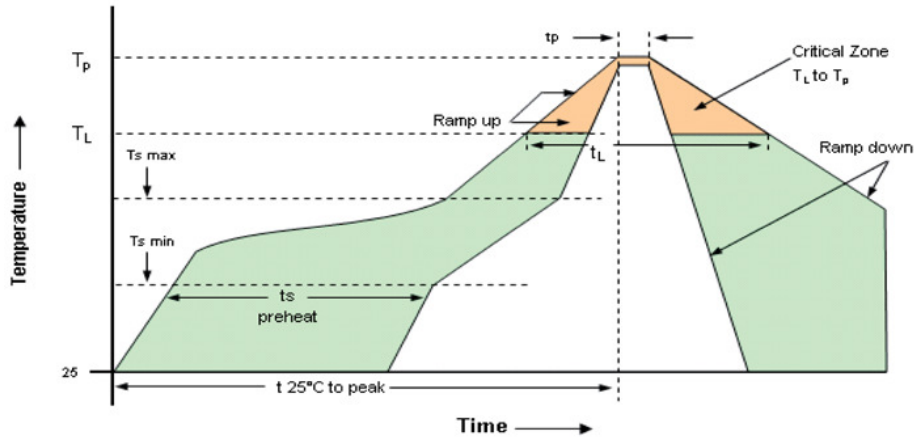


Table 2: Reflow Profile

Parameter	Symbol	Value
PreHeat Time Ts-min Ts-max	t_s	60 sec Min, 260 sec Max 150°C 200°C
Ramp Up	R_{UP}	3 °C/sec Max
Time Above 217 °C	t_L	60 sec Min, 150 sec Max
Time To Peak Temperature	T_{AMB-P}	480 sec Max
Time at 260 °C	t_p	30 sec Max
Ramp Down	R_{DN}	6 °C/sec Max

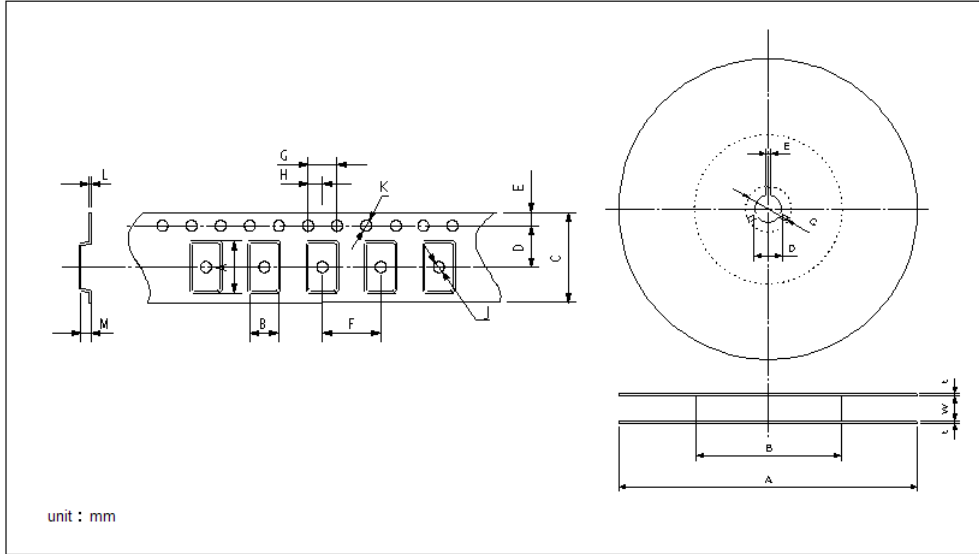
Pads are Au over Ni and compatible with either SnPb or Pb free attachment.

MSL: 1

Tape & Reel

Table 7. Tape and Reel Dimensions (mm)

Tape												Reel							
A	B	C	D	E	F	G	H	J	K	L	M	A	B	C	D	E	W	T	
5.25	3.45	12.0	5.5	1.75	8.0	4.0	2.0	1.5	1.5	0.3	1.1	178	180	21.0	13.0	2.0	12.4	2.0	



Ordering Information

VXM1 - XXX - XX- xxMxxxxxxxxXX

Product

5.0 x 3.2mm, Crystal

Mode

1: Fundamental

Temp Stability

- C: ±10ppm
- D: ±15ppm
- E: ±20ppm
- F: ±25ppm
- G: ±30ppm
- H: ±35ppm
- I: ±40ppm
- J: ±45ppm
- K: ±50ppm
- S: ±100ppm

**Note: not all combination of options are available.
Other specifications may be available upon request.*

Packaging

- TR: Tape and Reel
- blank: Cut Tape / non Tape and Reel quantities
- _SNPB: Tin lead solder dipped

Frequency in MHz

- Load Capacitance**
- 0: Series Resonance
 - 06-32pF

Operating Temperature

- E: -40 to 85 °C
- J: -20 to 70 °C
- W: -10 to 70 °C
- T: 0 to 70 °C

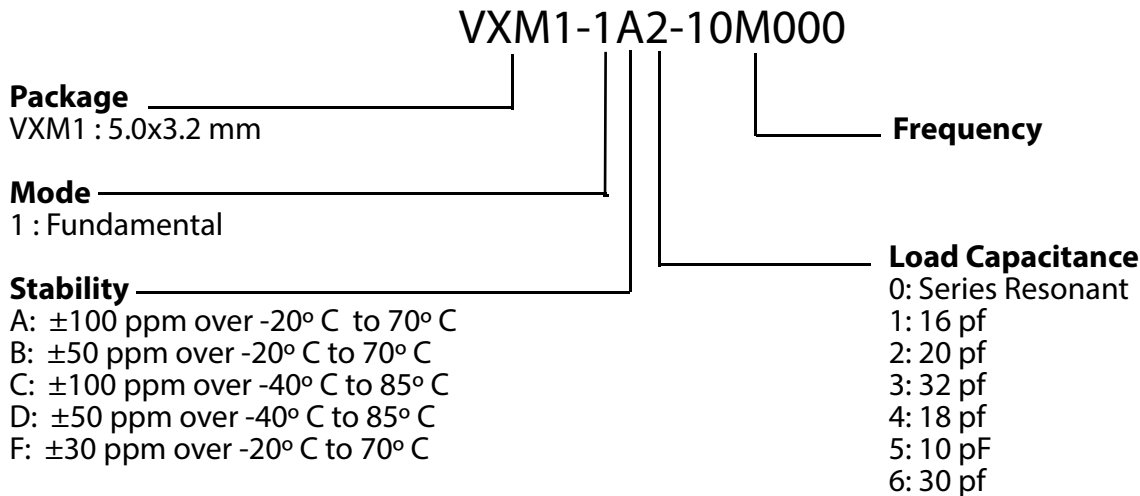
Example:

- VXM1-1EE-12-25M000000TR **Tape and Reel**
- VXM1-1EE-12-25M000000 **Cut Tape**
- VXM1-1EE-12-25M000000_SNPB **Tin lead solder dipped**

Revision History

Revision Date	Approved	Description
August 29, 2016	RC	Initial datasheet for factory approval and release to customer.
August 10, 2018	FB	Update logo and contact information, add "SNPBDIP" ordering option
June 07, 2019	FB	Update logo and contact information, add Table 2 Environmental compliance, change "SNPBDIP" to "SNPB"
April 30, 2020	FB	Add tape and reel ordering option

Previous Ordering Information for Reference Only Do Not Use to Build a New Part Number



The ordering codes for the VXM1 were changed in 2016. If you had ordered a specific code based off this ordering method, it is still available for purchase under the old code however no new part numbers will be created using this system.

Due to the change in the 8th character from numeric to alphabetic, there is no opportunity for overlap between the two ordering methods.

Contact Information

USA:

100 Watts Street
Mt Holly Springs, PA 17065
Tel: 1.717.486.3411
Fax: 1.717.486.5920

Europe:

Landstrasse
74924 Neckarbischofsheim
Germany
Tel: +49 (0) 7268.801.0
Fax: +49 (0) 7268.801.281



Information contained in this publication regarding device applications and the like is provided only for your convenience and may be superseded by updates. It is your responsibility to ensure that your application meets with your specifications. MICROCHIP MAKES NO REPRESENTATION OR WARRANTIES OF ANY KIND WHETHER EXPRESS OR IMPLIED, WRITTEN OR ORAL, STATUTORY OR OTHERWISE, RELATED TO THE INFORMATION INCLUDING, BUT NOT LIMITED TO ITS CONDITION, QUALITY, PERFORMANCE, MERCHANTABILITY OR FITNESS FOR PURPOSE. Microchip disclaims all liability arising from this information and its use. Use of Microchip devices in life support and/or safety applications is entirely at the buyer's risk, and the buyer agrees to defend, indemnify and hold harmless Microchip from any and all damages, claims, suits, or expenses resulting from such use. No licenses are conveyed, implicitly, or otherwise, under any Microchip intellectual property rights unless otherwise stated.

Trademarks

The Microchip and Vectron names and logos are registered trademarks of Microchip Technology Incorporated in the U.S.A. and other countries.