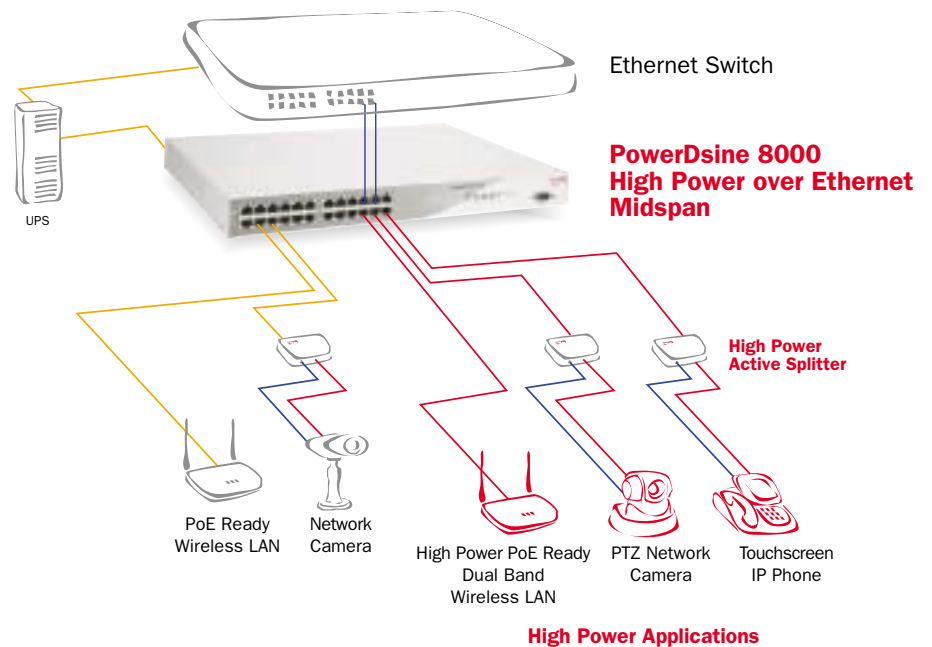


PowerDsine 8012/8006

High Power over Ethernet 8000 Midspan Family

PowerDsine's High Power over Ethernet (*HighPoE*) 8000 midspan family provides up to 39.5W power, as well as data, over standard Ethernet cabling, supporting IEEE 802.3af detection and safety requirements.

The 8000 High-Power midspan series eliminates the need for external power supply and its associated AC/DC power cabling, thus providing a highly cost effective, safe and reliable means for powering PTZ network cameras, multi-channel and outdoor wireless LAN access points, and other high power consumption Ethernet devices in enterprise installations.



Features

- Delivers up to 39.5W power
- Highly scalable 12/6-port solution
- Powering IEEE 802.3af standard compliant devices
- Safe power distribution over existing CAT5 LAN infrastructure
- Automatic detection and safety requirement according to IEEE 802.3af
- Compact 19" rack mountable in 1U
- Backup capability of powered device



Benefits

- Supports high power end-terminals
- Cost saving power distribution for low to medium port density installations
- Safe powering of high power, standard compliant devices and legacy devices
- Cost-effective power distribution installation
- Easy plug-and play installation
- Compact design for minimal rack space
- Continues operation of powered device during power failure



PowerDsine 8012/8006

High Power over Ethernet 8000 Midspan Family

Description of Features

- Remote Power Feeding** - The PowerDsine 8012/8006 High Power over Ethernet (*HighPoE*) midspans connect to an existing Ethernet infrastructure via standard Category 5 unshielded twisted-pair and shielded cabling, delivering up to 39.5W.
 The PowerDsine 8012/8006 *HighPoE* midspans can power terminals with power consumption higher than 12.95W (which is defined as the maximum by the IEEE 802.3af standard), such as Pan, Tilt, Zoom (PTZ) Network Cameras, high-end color touch screen IP phones and dual band/outdoors wireless LAN access points.
- Scalable Solution** - The PowerDsine 8012/8006 *HighPoE* midspans support six or twelve Ethernet terminals. Multiple midspans can be mounted in a wiring closet to support additional terminals, resulting in a simple, cost effective method for expanding the network, as requirements evolve.
- Centralized Power Distribution** - Deploying Power over Ethernet in conjunction with a central UPS provides a cost-effective way to distribute back-up power and ensures uninterrupted operation of the network during electrical power failure.
- Standard Compliance** - PowerDsine 8012 Midspans are capable of powering IEEE 802.3af standard compliant equipment devices as well as high power ones.
- Easy to Use** - The PowerDsine 8012/8006 *HighPoE* midspans are plug-and-play products. Once turned on, they automatically detect all Power over Ethernet terminals and supply inline power.
- Concise LED Displays** - Real-time network monitoring through the front panel, includes a bi-color, per-port LED, indicating normal, overload or short-circuit conditions.
- Compact Size** - The standard 1U High, 19-inch *HighPoE* midspans allow easy rack mounting, while occupying minimal space in the wiring closet.

Ordering Information

Order Number	Description
6 Port High Power over Ethernet Midspan	
PD-8006/AC	AC input
12 Port High Power over Ethernet Midspan	
PD-8012/AC	AC input

Specifications

No. of Ports	12/6
Data Rates	10/100 Mbps
High PoE Output	Powering on 4 pairs simultaneously Pin Assignment and Polarity: 4/5 (+), 7/8 (-) and 1/2 (-), 3/6 (+) Output Voltage (typ.): 56.5Vdc User Port Power (typ.): 39.5W (using Power management) Available Power: 200 W
Input Power Requirements	AC Input Voltage: 90 to 264 Vac AC Frequency: 47 to 63 Hz AC Input Current: 4 A at 110 Vac, 2 A at 240 Vac
Dimensions	1.75 x 17.0 x 11.9 in. (h * w * d) 4.4 x 43.8 x 30.2 cm (h * w * d)
Weight	8.8 lbs (4 kg)
Indicators	System Indicator: AC Power (Green/Orange) DC Power (Green/Orange) User Indicator: Channel Power (Green/Orange)
Connectors	Shielded RJ-45 DB-9, Female
Environmental Conditions	Operating Ambient Temperature: 32 to 104 °F (0° to 40 °C) Operating Humidity: maximum 90%, non-condensing Storage Temperature: -4 to 158 F (-20 to 70 °C) Storage Humidity: Maximum 95%, Non-condensing Operating Altitude: -1000 to 10,000 ft. (-304.8 to 3048 m)
Thermal Rating	200 BTU
Regulatory Compliance	CE
Electromagnetic Emission & Immunity	FCC Part 15, Class B with FTP cabling EN55022 (CISPR 22) class B with FTP cabling EN55024 (CISPR 24)
Safety Approval	UL/cUL per EN 60950 GS Mark per EN 60950

International Headquarters

PowerDsine Ltd.
1 Hanagar St.,
P.O.Box 7220
Hod Hasharon 45421
Israel
Tel: +972-9-7755100
Fax: +972-9-7755111
sales@powerdsine.com

North America

PowerDsine, Inc.
1865 New Highway
Farmingdale, NY 11735
USA
Tel: +1-631-756-4680
Fax: +1-631-756-4691
sales@powerdsineusa.com

Europe

PowerDsine UK
Lakeside House
1 Furzeground Way
Stockley Park, Uxbridge
UB11 1BD, United Kingdom
Tel: +44 (0) 208 622 3107
Fax: +44 (0) 208 622 3200
uk@powerdsine.com



www.powerdsine.com