

**ISOLATED DIODE ARRAY***Qualified per MIL-PRF-19500/474*

## DEVICES

**1N6101**

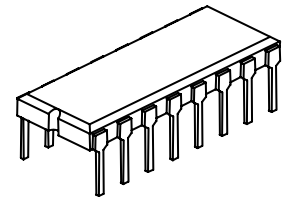
## LEVELS

**JAN  
JANTX  
JANTXV****DESCRIPTION**

These low capacitance diode arrays are multiple, discrete, isolated junctions fabricated by a planar process and mounted in a 16-PIN package for use as steering diodes protecting up to eight I/O ports from ESD, EFT, or surge by directing them either to the positive side of the power supply line or to ground (see figure 1). An external TVS diode may be added between the positive supply line and ground to prevent overvoltage on the supply rail. They may also be used in fast switching core-driver applications. This includes computers and peripheral equipment such as magnetic cores, thin-film memories, plated-wire memories, etc., as well as decoding or encoding applications. These arrays offer many advantages of integrated circuits such as high-density packaging and improved reliability. This is a result of fewer pick and place operations, smaller footprint, smaller weight, and elimination of various discrete packages that may not be as user friendly in PC board mounting.

**IMPORTANT:** For the most current data, consult *MICROSEMI's* website:

<http://www.microsemi.com>

**16-PIN Ceramic  
DIP****FEATURES**

- Hermetic Ceramic Package
- Isolated Diodes to Eliminate Cross-Talk Voltages
- High Breakdown Voltage  $V_{BR} > 75 \text{ V}$  at  $5 \mu\text{A}$
- Low Leakage  $I_R < 100\text{nA}$  at 40 V
- Low Capacitance  $C < 4.0 \text{ pF}$
- Switching Speeds less than 10 ns
- Options for screening in accordance with MIL-PRF-19500/474 for JAN, JANTX, JANTXV, the prefixes respectively to part numbers.

## ISOLATED DIODE ARRAY

Qualified per MIL-PRF-19500/474

### APPLICATIONS / BENEFITS

- High Frequency Data Lines
- RS-232 & RS-422 Interface Networks
- Ethernet: 10 Base T
- Computer I/O Ports
- LAN
- Switching Core Drivers
- IEC 61000-4 Compatible (see circuit in figure 1)

61000-4-2 ESD : Air 15kV, contact 8kW

61000-4-4 (EFT) : 40A – 5/50 ns

61000-4-5 (surge): 12A 8/20  $\mu$ s

### MAXIMUM RATINGS

- Reverse Breakdown Voltage 75 V (Notes 1 & 2)
- Continuous Forward Current 300 mA dc (Notes 1 & 3)
- Peak Surge Current ( $t_p=1/120$  s) of 500 mA dc (Note 1)
- 400 mW Power Dissipation per Junction @ 25°C
- 600 mW Power Dissipation per Package @ 25°C (Note 4)
- Operating Junction Temperature range –65° to +150°C
- Storage Temperature range of –65° to +200°C

**NOTE 1:** Each Diode

**NOTE 2:** Pulsed:  $P_W = 100$  ms max; duty cycle  $\leq 20\%$

**NOTE 3:** Derate at 2.4 mA/°C above +25°C

**NOTE 4:** Derate at 4.8 mW/°C above +25°C

### MECHANICAL AND PACKAGING

- 16-PIN Ceramic DIP
- Weight 2.09 grams (approximate)
- Marking: Logo, part number, date code
- Pin #1 to the left of the indent on top of package
- Carrier Tubes; 25 pcs (standard)

## ISOLATED DIODE ARRAY

Qualified per MIL-PRF-19500/474

### ELECTRICAL CHARACTERISTICS (Per Diode) @ 25°C unless otherwise specified

PART NUMBER	MAXIMUM FORWARD VOLTAGE $V_{F1}$ $I_F = 100 \text{ mA}$ (Note 1)	MAXIMUM REVERSE CURRENT $I_{R1}$ $V_R = 40 \text{ V}$	MAXIMUM REVERSE CURRENT $I_{R2}$ $V_R = 20 \text{ V}$	MAXIMUM CAPACITANCE (PIN TO PIN) $C_t$ $V_R = 0 \text{ V}$ $F = 1 \text{ MHz}$	MAXIMUM FORWARD RECOVERY TIME $t_{fr}$ $I_F = 100 \text{ mA}$	MAXIMUM REVERSE RECOVERY TIME $t_{rr}$ $I_F = I_R = 10 \text{ mAdc}$ $i_{rr} = 1 \text{ mAdc}$ $R_L = 100 \text{ ohms}$	MAXIMUM FORWARD VOLTAGE MATCH $V_{F5}$ $I_F = 10 \text{ mA}$
	V	$\mu\text{A}$	nA	pF	ns	ns	mV
1N6101	1	0.1	25	4.0	15	10	5

NOTE 1: Pulsed:  $P_w = 300 \mu\text{s} \pm 50 \mu\text{s}$ , duty cycle  $\leq 2\%$ , 90  $\mu\text{s}$  after leading edge.

### SYMBOLS & DEFINITIONS

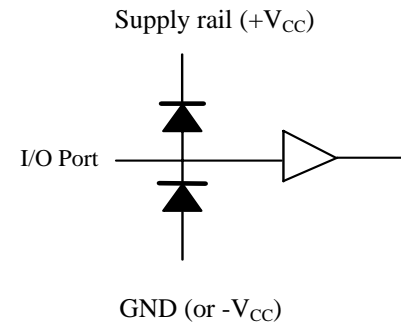
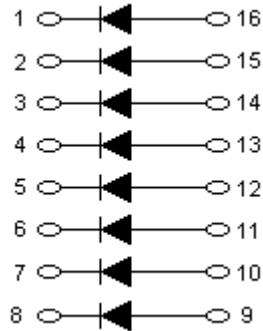
Symbol	DEFINITION
$V_{BR}$	Minimum Breakdown Voltage: The minimum voltage the device will exhibit at a specified current.
$V_F$	Maximum Forward Voltage: The maximum forward voltage the device will exhibit at a specified current.
$I_R$	Maximum Leakage Current: The maximum leakage current that will flow at the specified voltage and temperature.
$C_t$	Capacitance: The capacitance of the diode as defined @ 0 volts at a frequency of 1 MHz and stated in picofarads.

## ISOLATED DIODE ARRAY

Qualified per MIL-PRF-19500/474

**SCHEMATIC**

**CIRCUIT**



### STEERING DIODE APPLICATION

FIGURE 1

**PACKAGE DIMENSIONS**

