

Helping Customers Innovate, Improve & Grow

Features

- Any frequency between 80.000001 and 220 MHz accurate to 6 dp
- CMOS compatible output
- Ultra low phase jitter: 0.5 ps (12 kHz to 20 MHz)
- Industrial and extended commercial temperature ranges
- Standard 4-pin packages: 2.5 x 2.0, 3.2 x 2.5, 5.0 x 3.2, 7.0 x 5.0 mm

Applications

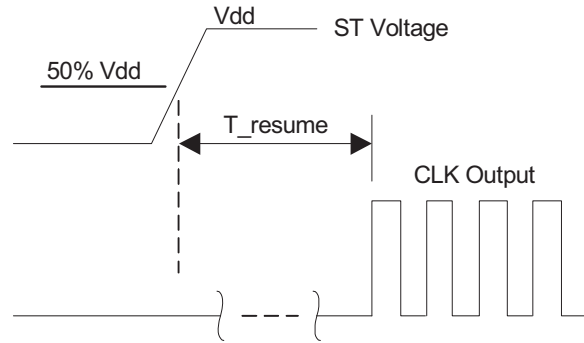
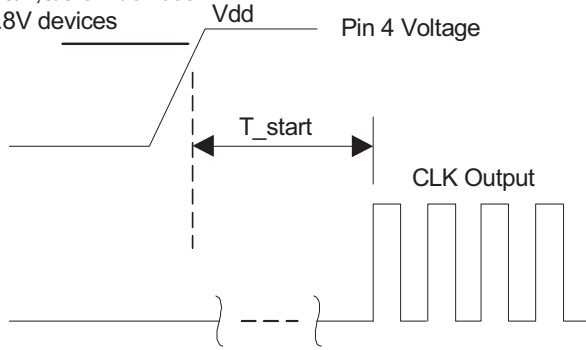
- Computing, storage, networking, telecom, industrial control
- SATA, SAS, Ethernet, PCI Express, video, WiFi

Performance Specifications

Parameter and Conditions	Symbol	Min.	Typ.	Max.	Unit	Condition
Output Frequency Range	f	80	-	220	MHz	
Frequency Stability	F_stab	-20	-	+20	PPM	Inclusive of Initial tolerance at 25 °C, and variations over operating temperature, aging, supply voltage and load
		-50	-	+50	PPM	
First year Aging	F_aging	-1.5	-	+1.5	PPM	25°C
10-year Aging		-5	-	+5	PPM	25°C
Operating Temperature Range	T_use	-20	-	+70	°C	Extended Commercial
		-40	-	+85	°C	Industrial
Supply Voltage	Vdd	1.71	1.8	1.89	V	Supply voltages between 2.5V and 3.3V are supported in increments of 0.1 V. Contact Vectron for guaranteed performance specs for supply voltages not specified in this table.
		2.25	2.5	2.75	V	
		2.52	2.8	3.08	V	
		2.97	3.3	3.63	V	
Current Consumption	Idd	-	34	36	mA	No load condition, f = 100 MHz, Vdd = 2.5V, 2.8V or 3.3V
		-	30	33	mA	No load condition, f = 100 MHz, Vdd = 1.8V
OE Disable Current	I_OE	-	-	31	mA	Vdd = 2.5V, 2.8V or 3.3V, OE = GND, output is Weakly Pulled Down
		-	-	30	mA	Vdd = 1.8 V. OE = GND, output is Weakly Pulled Down
Standby Current	I_std	-	-	70	µA	Vdd = 2.5V, 2.8V or 3.3V, ST = GND, output is Weakly Pulled Down
		-	-	10	µA	Vdd = 1.8 V. ST = GND, output is Weakly Pulled Down
Duty Cycle	DC	45	-	55	%	f <= 165 MHz, all Vdds.
		40	-	60	%	f > 165 MHz, all Vdds.
Rise/Fall Time	Tr, Tf	-	1.5	2	ns	15 pF load, 10% -90% Vdd
Output Voltage High	VOH	90%	-	-	Vdd	OH = -7 mA, IOL = 7 mA, (Vdd = 3.3V) IOH = -4 mA, IOL = 4 mA, (Vdd = 2.8V, 2.5V) IOH = -2 mA, IOL = 2 mA, (Vdd = 1.8V)
Output Voltage Low	VOL	-	-	10%	Vdd	
Input Voltage High	VIH	70%	-	-	Vdd	Pin 1, OE or ST
Input Voltage Low	VIL	-	-	30%	Vdd	Pin 1, OE or ST
Input Pull-up Impedance	Z_in	-	100	250	kΩ	
Startup Time	T_start	-	6	10	ms	Measured from the time Vdd reaches its rated minimum value
OE Enable/Disable Time	T_oe	-	-	115	ns	f = 220 MHz, For other frequencies, T_oe = 100 ns + 3 cycles
Resume Time	T_resume	-	-	10	ms	Measured from the time ST pin crosses 50% threshold
RMS Period Jitter	T_jitt	-	1.5	2	ps	f = 156.25 MHz, Vdd = 2.5V, 2.8V or 3.3V
		-	2	3	ps	f = 156.25 MHz, Vdd = 1.8V
RMS Phase Jitter (random)	T_phj	-	0.6	1	ps	f = 156.25 MHz, Integration bandwidth = 12 kHz to 20 MHz

Timing Diagrams

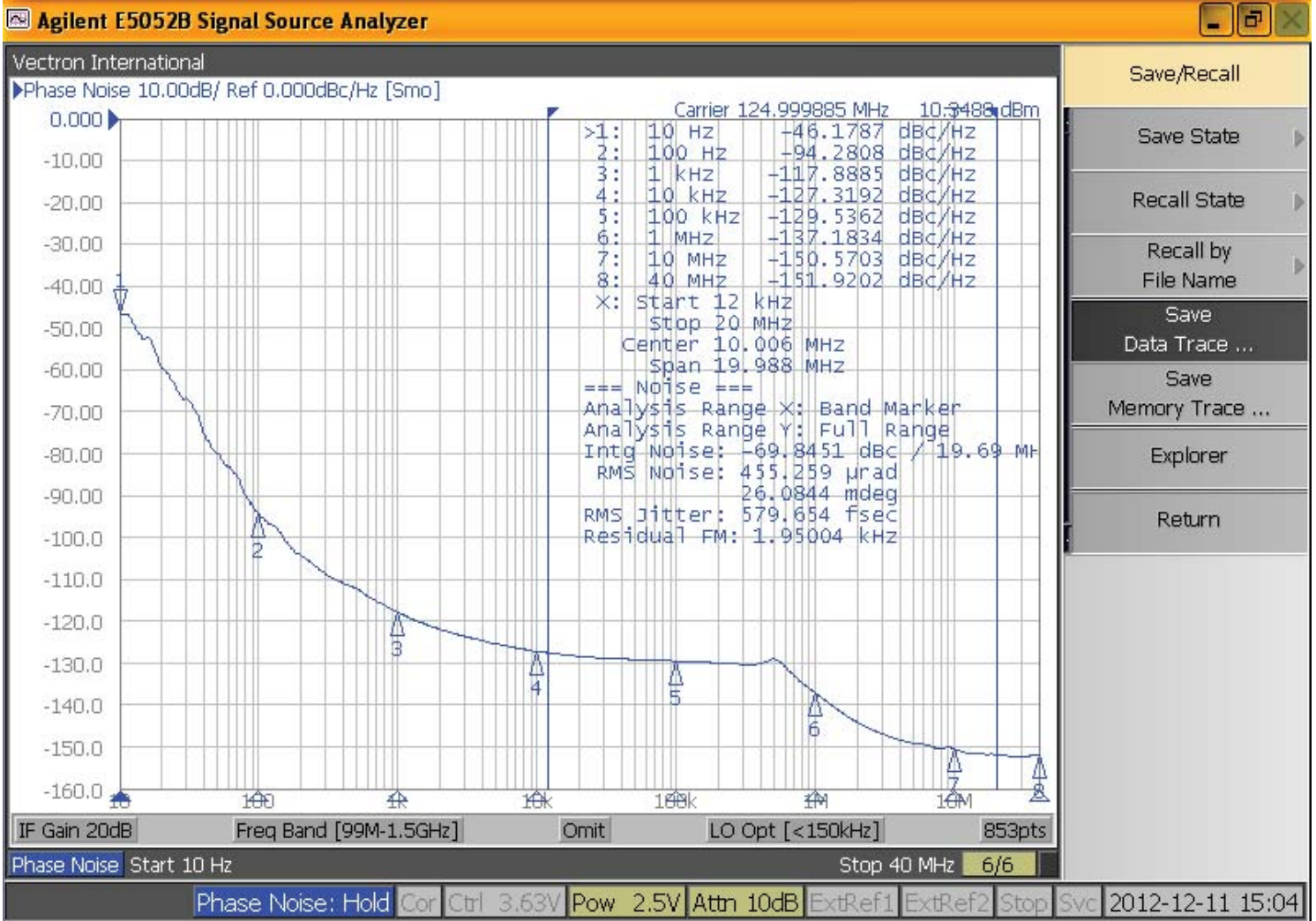
90% Vdd, 2.5/2,8/3.3V devices
95% Vdd, 1.8V devices



T_{start}: Time to start from power-off (ST/OE Mode)

T_{resume}: Time to resume from standby (ST Mode Only)

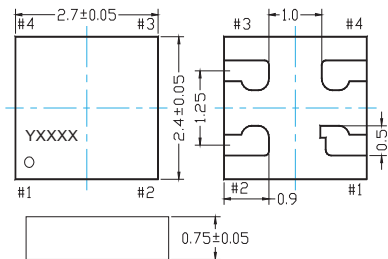
Typical Performance



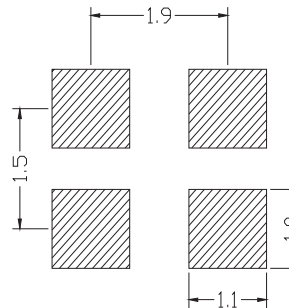
Outline Drawing / Packaging

Package Outline & Dimensions (Unit: mm)

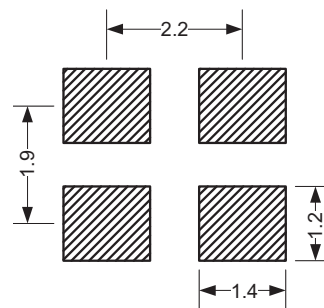
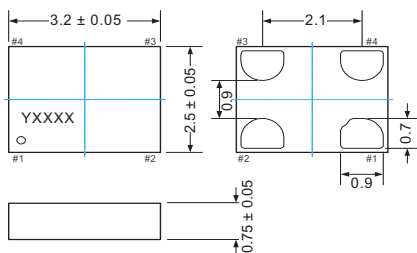
2.7 x 2.4 x 0.75 mm (100% compatible with 2.5 x 2.0 mm footprint)



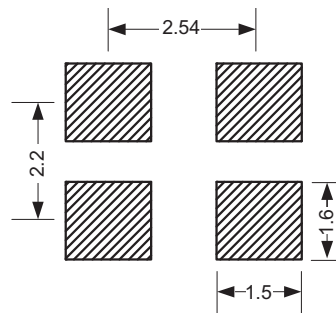
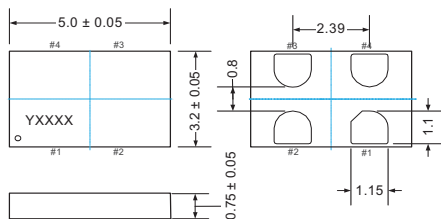
Recommended Land Pattern (Unit: mm)



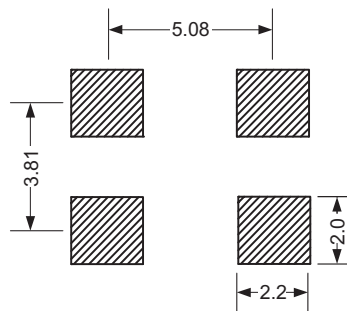
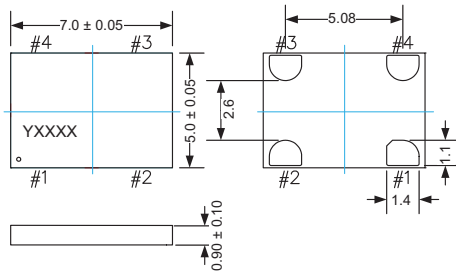
3.2 x 2.5 x 0.75 mm



5.0 x 3.2 x 0.75 mm



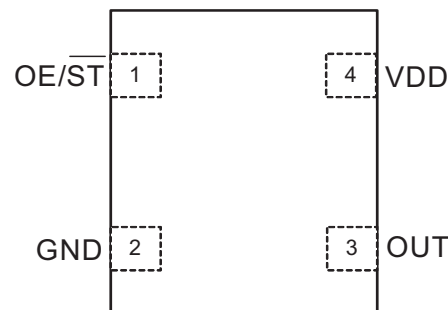
7.0 x 5.0 x 0.90 mm



Pin Connections

Pin	Symbol	Functionality
1	OE/ST	Output Enable H or Open[*]: specified frequency output L: output is high impedance. Only output driver is disabled.
		Standby H or Open[3*]: specified frequency output L: output is low (weak pull down). Device goes to sleep mode. Supply current reduces to I _{std} .
2	GND	Power Electrical and case ground
3	OUT	Output Oscillator output
4	VDD	Power Power supply voltage

Top View



*A pull-up resistor of <10 kΩ between OE/ ST pin and Vdd is recommended in high noise environment

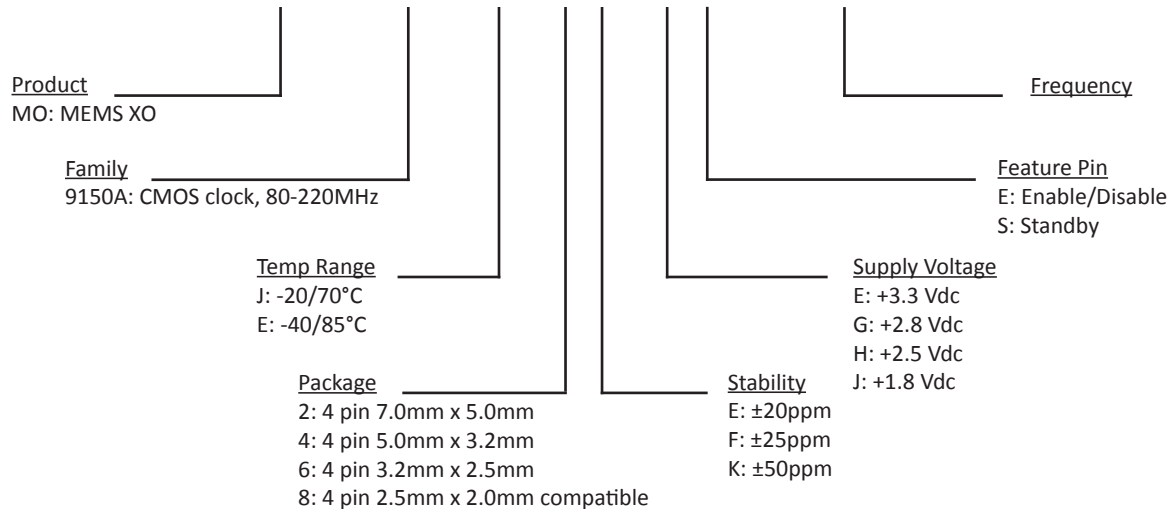
Absolute Maximum Ratings and Test Compliance

Maximum Ratings			
Parameter	Min	Max	Unit
Storage Temperature	-65	150	°C
VDD	-0.5	4	V
Electrostatic Discharge	–	2000	V
Soldering Temperature (follow standard Pb free soldering guidelines)	–	260	°C
Number of Program Writes	–	1	NA
Program Retention over -40 to 125°C, Process, VDD (0 to 3.65V)	1,000+	–	years

Environmental Compliance	
Parameter	Condition/Test Method
Mechanical Shock	MIL-STD-883F, Method 2002
Mechanical Vibration	MIL-STD-883F, Method 2007
Temperature Cycle	JESD22, Method A104
Solderability	MIL-STD-883F, Method 2003
Moisture Sensitivity Level	MSL1 @ 260°C

Ordering Information

MO - 9150A E - 4 F - E E - 156M250000



Notes:

- Contact factory for improved stabilities or additional product options. Not all options and codes are available at all frequencies.
- Unless otherwise stated all values are valid after warm-up time and refer to typical conditions for supply voltage, frequency control voltage, load, temperature (25°C).
- Subject to technical modification.
- Contact factory for availability.

Revision History

Revision	Change Summary	Date
1.0	Product Release	June 2013
1.1	Knowles logo and address change	Feb 2014
1.2	Add ± 20 ppm temperature stability	Aug 2014

For Additional Information, Please Contact

USA:

Vectron International
267 Lowell Road, Suite 102
Hudson, NH 03051
Tel: 1.888.328.7661
Fax: 1.888.329.8328

Europe:

Vectron International
Landstrasse, D-74924
Neckarbischofsheim, Germany
Tel: +49 (0) 7268.801.100
Fax: +49 (0) 7268.801.282

Asia:

68 Yin Cheng Road(C), 22nd Floor
One Lu Jia Zui
Pudong, Shanghai 200120, China
Tel: +86 21 6194 6886
Fax: +86 21 6194 6699

Disclaimer

Vectron International reserves the right to make changes to the product(s) and or information contained herein without notice. No liability is assumed as a result of their use or application. No rights under any patent accompany the sale of any such product(s) or information.