

DESCRIPTION

The GC4200 series are high speed (cathode base) PIN diodes made with high resistivity epitaxial silicon material. These diodes are passivated with silicon dioxide for high stability and reliability and have been proven by thousands of device hours in high reliability systems.

These devices can withstand storage temperatures from -65°C to +200°C and will operate over the range from -55°C to +150°C. All devices meet or exceed military environmental specifications of MIL-PRF-19500. The GC4200 series will operate with as little as +10 mA forward bias.

This series of diodes meets RoHS requirements per EU Directive 2002/95/EC. The standard terminal finish is gold unless otherwise specified. Consult the factory if you have special requirements.

APPLICATIONS

The GC4200 series can be used in RF circuits as an on/off element, as a switch, or as a current controlled resistor in attenuators extending over the frequency range from UHF through Ku band.

Switch applications include high speed switches (ECM systems), TR switches, channel or antenna selection switches (telecommunications), duplexers (radar) and digital phase shifters (phased arrays).

The GC4200 series are also used as passive and active limiters for low to moderate RF power levels.

Attenuator type applications include amplitude modulators, AGC attenuators, power levelers and level set attenuators.

**ABSOLUTE MAXIMUM RATINGS AT 25° C
(UNLESS OTHERWISE SPECIFIED)**

| Rating | Symbol | Value | Unit |
|--|-----------|-------------|------|
| Maximum Leakage Current @80% of Minimum Rated V_B | I_R | 0.5 | uA |
| Storage Temperature | T_{STG} | -65 to +200 | °C |
| Operating Temperature | T_{OP} | -55 to +150 | °C |

KEY FEATURES


- Available as packaged devices or as chips for hybrid applications
- Low Loss
- Suitable for application to 18Ghz
- High Speed
- Low Insertion Loss
- High Isolation
- RoHS Compliant ¹

¹ Most of our devices are supplied with Gold plated terminations. Other terminal finishes are available on request. Consult factory for details.

APPLICATIONS/BENEFITS

- RF / Microwave Switching
- Duplexers
- Digital Phase Shifting
- Phase Array Radar

IMPORTANT: For the most current data, consult MICROSEMI's website: www.MICROSEMI.com
Specifications are subject to change, consult factory for the latest information.

 These devices are ESD sensitive and must be handled use using ESD precautions.

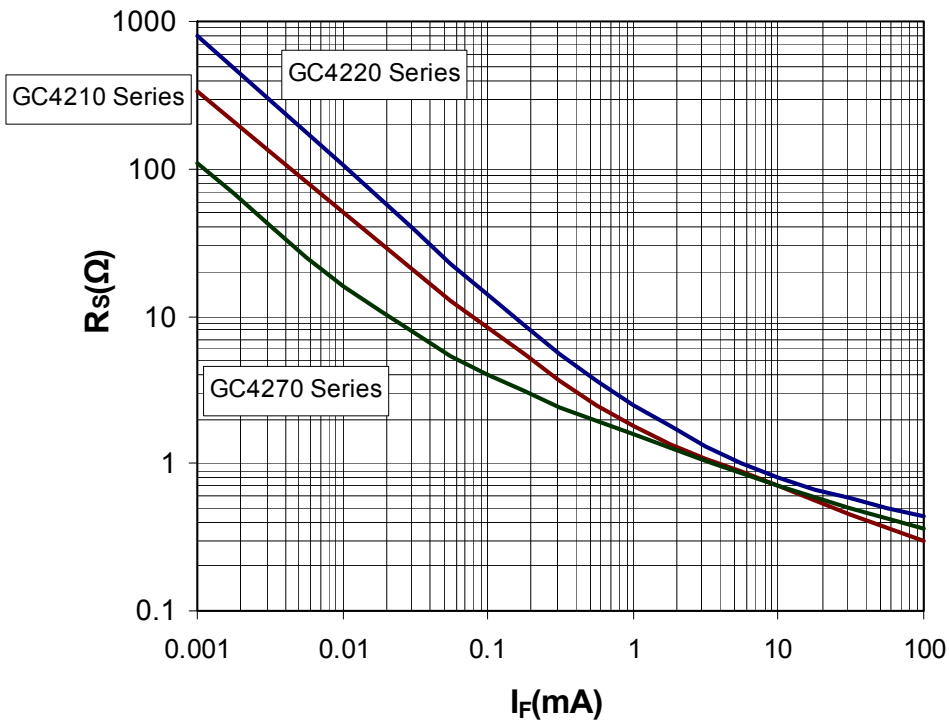
DEVICE ELECTRICAL PARAMETERS @ 25°C (unless otherwise specified)

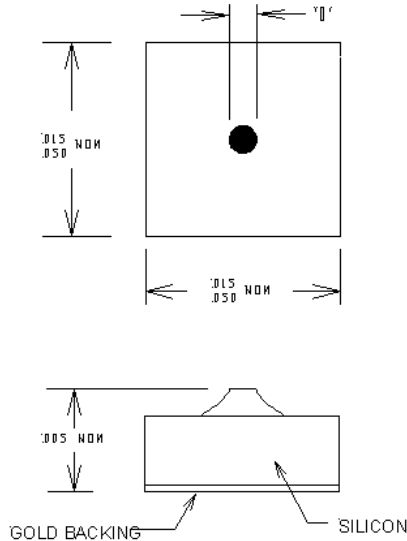
| Model Number ¹ | V _b (V) I _R =10μA (Min) | C _j (pF) ² @V _R =10V (Max) | R _s (Ω) ³ @20 mA (Max) | T _L (nS) I _R =6mA/I _F =10mA (Typ) | Thermal Resistance θ (°C/W) (Max) |
|---------------------------|---|---|--|--|--|
| GC4270 | 70 | 0.06 | 1.5 | 100 | 80 |
| GC4271 | 70 | 0.10 | 1.0 | 100 | 70 |
| GC4272 | 70 | 0.20 | 0.8 | 100 | 70 |
| GC4273 | 70 | 0.30 | 0.7 | 100 | 60 |
| GC4274 | 70 | 0.40 | 0.6 | 100 | 50 |
| GC4275 | 70 | 0.50 | 0.5 | 100 | 40 |
| GC4210 | 100 | 0.06 | 1.5 | 200 | 80 |
| GC4211 | 100 | 0.10 | 1.0 | 200 | 70 |
| GC4212 | 100 | 0.20 | 0.75 | 200 | 70 |
| GC4213 | 100 | 0.30 | 0.6 | 200 | 60 |
| GC4214 | 100 | 0.40 | 0.5 | 200 | 50 |
| GC4215 | 100 | 0.50 | 0.35 | 200 | 40 |
| GC4220 | 250 | 0.06 | 2.5 | 500 | 80 |
| GC4221 | 250 | 0.10 | 2.0 | 500 | 70 |
| GC4222 | 250 | 0.20 | 1.5 | 500 | 70 |
| GC4223 | 250 | 0.30 | 1.0 | 500 | 60 |
| GC4224 | 250 | 0.40 | 0.8 | 500 | 50 |
| GC4225 | 250 | 0.50 | 0.6 | 500 | 40 |

Notes:

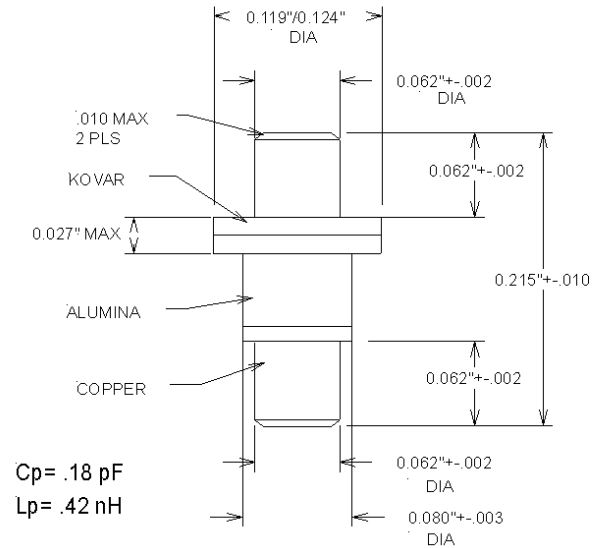
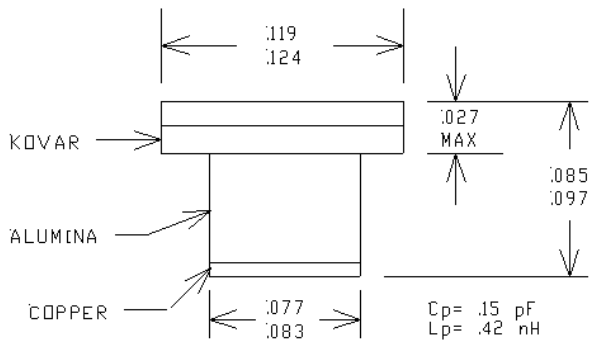
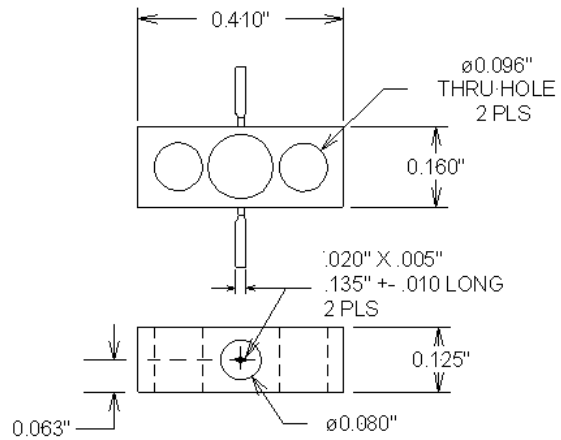
1. This series of devices is available in standard case styles 00, 30, and 35. Many other styles are available on request.
2. Capacitance is measured at 1 MHz.
3. Resistance is measured AT 1 GHz using transmission loss techniques.

The junction capacitance specified is for a 00 (chip) package style. Standard wafer evaluation and characterization is completed using a style 30 package. Diodes are available in many case styles. Each type offers performance trade-offs. The proper choice of package style depends on the end application and operating environment. Consult factory for assistance. Reverse polarity diodes (NIP) and higher voltage PIN and NIP diodes are also available. (See data sheets for GC4300, GC4400, and GC4500 series respectively.)

RS VS IF CURVES
Typical R_S Vs I_F Curves


PACKAGE STYLE 00


Dimensions vary by model. Consult factory for details.

PACKAGE STYLE 30

PACKAGE STYLE 35

PACKAGE STYLE 115


OUTLINE SAME FOR 115-2 EXCEPT COPPER HEATSINK INSERT

50 OHM BOLT CHANNEL MODULE
 OTHER PACKAGE STYLES AVAILABLE ON REQUEST
 CONSULT FACTORY