

6 Lake Street, Lawrence, MA 01841
 1-800-446-1158 / (978) 620-2600 / Fax: (978) 689-0803
 Website: <http://www.microsemi.com>

SWITCHING DIODE

- METALLURGICALLY BONDED
- HERMETICALLY SEALED
- DOUBLE PLUG CONSTRUCTION

Qualified per MIL-PRF-19500/118

DEVICES

1N485B

QUALIFIED LEVELS

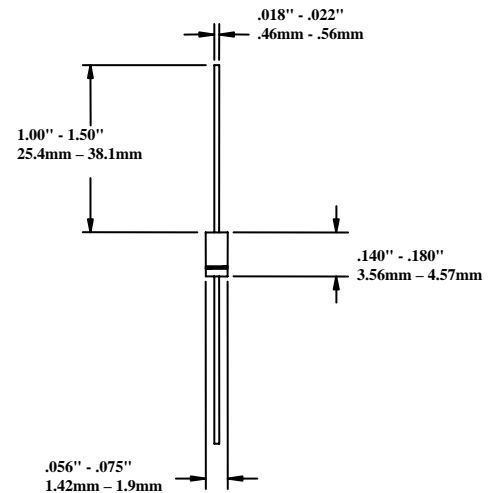
**JAN
 JANTX
 JANTXV**

MAXIMUM RATING AT 25°C

Operating Temperature:	-65°C to +175°C
Storage Temperature:	-65°C to +175°C
Surge Current, sine, 8.3mS:	2A
Total Power Dissipation, 25°C:	500mW
Max. Operating Current, 25°C:	200mA
D.C. Reverse Voltage (VRWM):	180V

DC ELECTRICAL CHARACTERISTICS

V _F				I _R			
Ambient (°C)	I _F mA	Min V	Max V	Ambient (°C)	V (dc)	Min μA	Max μA
25	100	0.8	1.0	25	180	-	0.025
-55	100	-	1.2	25	200	-	1.0
				150	180	-	5.0



DESIGN DATA

Case: Hermetically sealed glass package per MIL-PRF-19500/118 DO-35 outline

Lead Material: Copper clad steel

Lead Finish: Tin / Lead

Thermal Impedance (Z_{θJX}): 70°C/W maximum

Polarity: Cathode end is banded