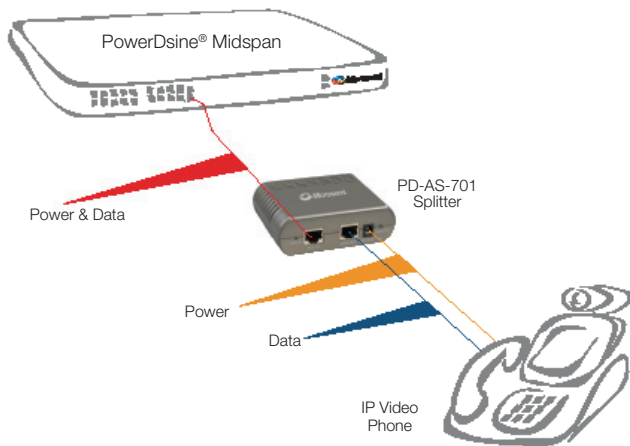


PowerDsine 701 Splitter

High power splitter adapts incompatible 12V, 18V, and 24V devices to PoE



Overview

PowerDsine's PD-AS-701 High-Power active splitters enable data terminals that were not originally designed to accept power from the Ethernet, to be powered by HiPoE (High Power over Ethernet) switches and midspans. The PD-AS-701 High Power series (12v, 18v and 24v) can power devices such as WiMAX CPEs, small WiMAX base-stations, 802.11n Access-Points, Thin-Clients, Video-Phones, PTZ (Pan/Tilt/Zoom) IP Cameras and more.

High Power Splitter Solution

Many contemporary terminals are designed and deployed without the ability to accept power via their LAN input. Such devices can only accept power through their DC jack while their RJ45 input accepts only data. Moreover, such devices might only accept voltage levels lower than the PoE standard minimum voltage (44v in IEEE802.3af or 50v in 802.3at). Using the PD-AS-701 high power splitter, these terminals immediately become PoE-ready without any modification required on their side.

The splitter is identified as a powered device (PD) in front of the powering Midspan and after being detected and powered, it physically splits the data and power streams, arriving over a single cable, into two separate cords (LAN & DC) which go directly to the data terminal. Voltage regulation is also performed to the level required by the terminal (12V, 18V or 24V).

PoE 701 Splitter Specifications

Connectors	2 x RJ-45, shielded, EIA 568A and 568B DC Jacks On unit: O.D x I.D = 2.5 x 6.4 mm Ext. Cable #1: O.D x I.D = 5.5 x 2.5 mm Ext. Cable #2: O.D x I.D = 3.4 x 1.4 mm
Data Rate	10/100/1000
Electrical	Input voltage: 44 - 57 Vdc Input power: 30W max Output power: 24W max Output Current: 2A @ 12V 1.33A @ 18V 1.0A @ 24V
Dimensions & Weight	31 mm (H) x 94 mm (W) x 73 mm (D) (1.12 in x 3.7 in x 2.87 in) 112 gram (0.247 lbs)
Indicators	Input Power Indicator: Orange LED Output Power Indicator: Green LED
Environmental	Operating Temp: 0 to 40°C (32° to 104°F) Storage Temp: -20° to 70°C (-4° to 158°F) Operating Humidity: 10 to 90%, non-condensing Storage Humidity: 5 to 95%, non-condensing
Thermal Rating:	19 BTU/Hr (@ Full Load)
Reliability	MTBF: 100,000 hours @ 25°C
Electromagnetic Emissions & Immunity	FCC Part 15 Class A EN55022 (CISPR 22), Class A EN55024 (CISPR 24)
Regulatory Compliance	CE
Warranty	1-year

Ordering Information

High Power Splitter

Part Number	Description
PD-AS-701/12	12V High Power Splitter
PD-AS-701/18	18V High Power Splitter
PD-AS-701/24	24V High Power Splitter

For More Information

North America

PowerDsineUSA@microsemi.com

EMEA

(Europe, Middle East, Africa)

PowerDsine@microsemi.com

LATAM

(Latin America)

PowerDsineLATAM@microsemi.com

APAC

(Asia Pacific)

PowerDsineAPAC@microsemi.com



Microsemi

Power Matters.

Microsemi Corporation (NASDAQ:MSCC) offers the industry's most comprehensive portfolio of semiconductor and networking technology. PowerDsine® PoE Systems, a Microsemi brand, is the thought leader in energy efficient, high power PoE technology. Learn more at microsemi.com/powerdsine

©2011 Microsemi Corporation. All rights reserved. Microsemi and the Microsemi logo are trademarks of Microsemi Corporation. All other trademarks and service marks are the property of their respective owners.

MSC-PD-DS-701Splitter-11.2011