

- 1N6702US AVAILABLE IN JAN, JANTX AND JANTXV
- 5 AMP SCHOTTKY BARRIER RECTIFIERS
- HERMETICALLY SEALED
- LEADLESS PACKAGE FOR SURFACE MOUNT
- METALLURGICALLY BONDED, DOUBLE PLUG CONSTRUCTION

1N6700US thru 1N6702US
and
CDLL6700 thru CDLL6702US
and
CDLL5A20 thru CDLL5A40

MAXIMUM RATINGS

Operating Temperature: -65°C to +125°C
Storage Temperature: -65°C to +150°C
Average Rectified Forward Current: 5.0 AMP, $T_{EC} = +55^{\circ}\text{C}$
Derating: 71 mA / °C above $T_{EC} = +55^{\circ}\text{C}$

ELECTRICAL CHARACTERISTICS @ 25°C, unless otherwise specified.

CDI TYPE NUMBER	WORKING PEAK REVERSE VOLTAGE	MAXIMUM FORWARD VOLTAGE			MAXIMUM REVERSE LEAKAGE CURRENT AT RATED VOLTAGE		
		V_{RWM}	$V_F @ 3.0A$	$V_F @ 5.0A$	$V_F @ 15.7A$	$I_R @ 25^{\circ}\text{C}$	$I_R @ 100^{\circ}\text{C}$
		VOLTS	VOLTS	VOLTS	VOLTS	mA	mA
1N6700US	20	0.44	0.47	0.60	0.20	20.0	
1N6701US	30	0.44	0.47	0.60	0.20	20.0	
1N6702US	40	0.44	0.47	0.60	0.20	20.0	
CDLL6700	20	0.50	0.55	0.70	0.20	25.0	
CDLL6701	30	0.50	0.55	0.70	0.20	25.0	
CDLL6702	40	0.50	0.55	0.70	0.20	25.0	
CDLL5A20	20	0.50	0.55	0.70	0.20	25.0	
CDLL5A30	30	0.50	0.55	0.70	0.20	25.0	
CDLL5A40	40	0.50	0.55	0.70	0.20	25.0	

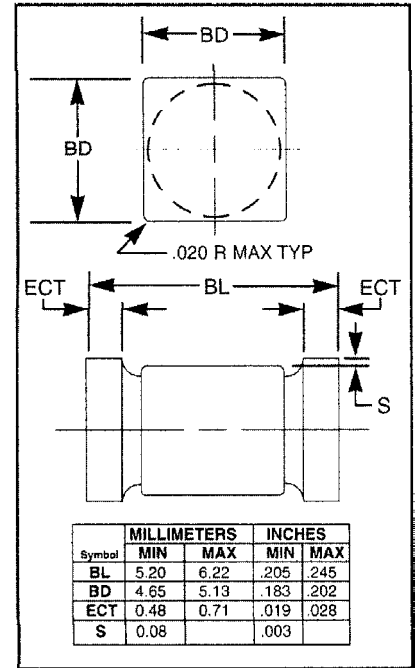


FIGURE 1

DESIGN DATA

CASE: D-5C, Hermetically sealed glass case.

LEAD FINISH: Tin / Lead

THERMAL RESISTANCE: Junction to End Cap = 10 °C/W maximum

POLARITY: Cathode end is identified

MOUNTING POSITION: ANY.

MOUNTING SURFACE SELECTION:
The Axial Coefficient of Expansion (COE) of this device is approximately + 4PPM / °C. The COE of the Mounting Surface System should be selected to provide a suitable match with this device.

MICROSEMI LAWRENCE
6 LAKE ST., LAWRENCE, MA 01841
PHONE (978) 620-2600 FAX (978) 689-0803

1N6700US thru 1N6702US and CDLL6700 thru CDLL6702 and CDLL5A20 thru CDLL5A40

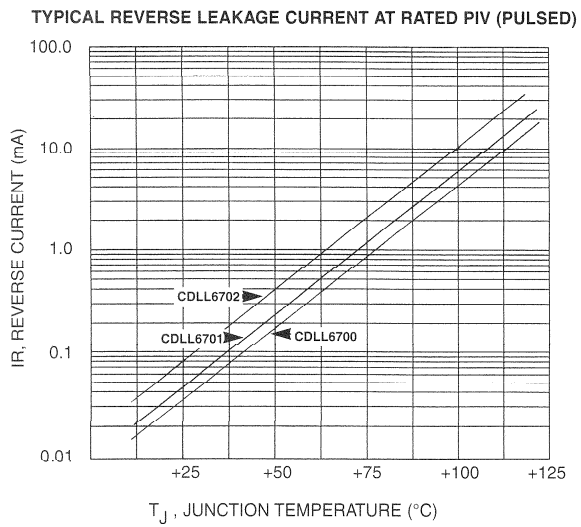


FIGURE 1

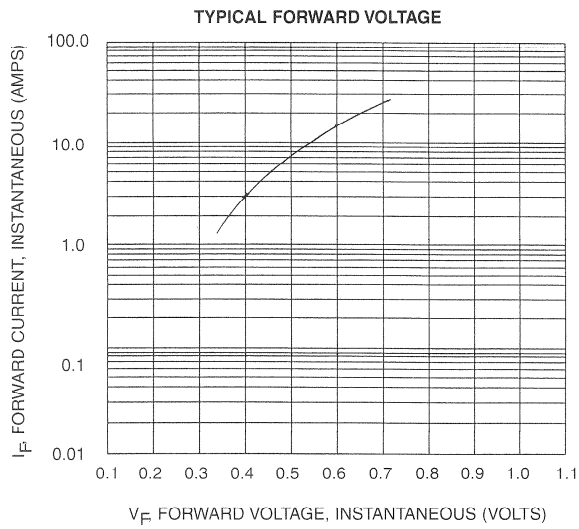


FIGURE 2