

## ISL6423

Single Output LNB Supply and Control Voltage Regulator with I<sup>2</sup>C Interface for Advanced Satellite Set-Top Box Designs DiSEqC 2.0 Compatible

FN9191  
 Rev 2.00  
 Dec 5, 2008

The ISL6423 is a highly integrated voltage regulator and interface IC, specifically designed for supplying power and control signals from advanced satellite set-top box (STB) modules to the low noise blocks (LNBs) of single antenna ports. The device consists of a current-mode boost PWM and a low-noise linear regulator along with the circuitry required for 22kHz tone generation, modulation and I<sup>2</sup>C device interface. The device makes the total LNB supply design simple, efficient and compact with low external component count.

The current mode boost converter provides the linear regulator with input voltage that is set to the final output voltages, plus typically 0.8V to insure minimum power dissipation across the linear regulator. This maintains constant voltage drop across the linear pass element while permitting adequate voltage range for tone injection.

The final regulated output voltage is available at output terminals to support the operation of an antenna port for single tuners. The outputs for each PWM can be controlled in two ways, full control from I<sup>2</sup>C using the VTOP and VBOT bits or set the I<sup>2</sup>C to the lower range (i.e., 13.3V/14.3V) and switch to higher range (i.e., 18.3V/19.3V) with the SELVTP pin. All the functions on this IC are controlled via the I<sup>2</sup>C bus by writing 8 bits words onto the System Registers (SR). The same register can be read back, and five I<sup>2</sup>C bits will report the diagnostic status. Separate enable command sent on the I<sup>2</sup>C bus provides for standby mode control for the PWM and linear combination, disabling the output and forcing a shutdown mode. The output channel is capable of providing 750mA of continuous current. The overcurrent limit can be digitally programmed to four levels.

The External modulation input EXTM can accept a modulated DiSEqC command and transfer it symmetrically to the output. Alternatively the EXTM pin can be used to modulate the continuous internal tone.

The  $\overline{\text{FLT}}$  pin serves as an interrupt for the processor when an over temperature fault condition is detected by the LNB controller. The nature of the fault can be read of the I<sup>2</sup>C registers.

### Features

- Single Chip Power solution
  - Operation for 1-Tuner/1-Dish Applications
  - Integrated DC/DC Converter and I<sup>2</sup>C Interface
- Switch-Mode Power Converter for Lowest Dissipation
  - Boost PWM with > 92% Efficiency
  - Selectable 13.3V or 18.3V Outputs
  - Digital Cable Length Compensation (1V)
  - I<sup>2</sup>C and Pin Controllable Output
- Output Back Bias Capability of 28V
- I<sup>2</sup>C Compatible Interface for Remote Device Control
- Registered Slave Address 0001 00XX
- 2.5V/3.3V/5V Logic Compatible
- External Pin to Toggle between V & H Polarization
- Built-In Tone Oscillator Factory Trimmed to 22kHz
  - Facilitates DiSEqC (EUTELSAT) Encoding
  - External Modulation Input
- Internal Over-Temperature Protection and Diagnostics
- Internal OV, UV, Overload and Overtemp Flags (Visible on I<sup>2</sup>C)
- $\overline{\text{FLT}}$  signal
- LNB Short-Circuit Protection and Diagnostics
- QFN, HTSSOP Packages
- Pb-Free Plus Anneal Available (RoHS Compliant)

### Applications

- LNB Power Supply and Control for Satellite Set-Top Box

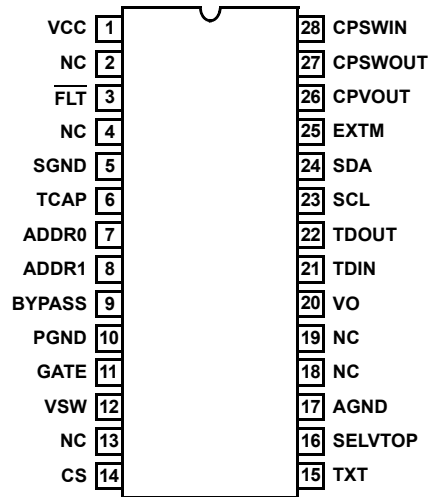
### Ordering Information

PART NUMBER (Note)	PART MARKING	TEMP. RANGE (°C)	PACKAGE (Pb-Free)	PKG. DWG. #
ISL6423ERZ	6423ERZ	-20 to +85	24 Ld 4x4 QFN	L24.4x4D
ISL6423ERZ-T	6423ERZ	-20 to +85	24 Ld 4x4 QFN (Tape & Reel)	L24.4x4D
ISL6423EVEZ	ISL6423EVEZ	-20 to +85	28 Ld HTSSOP	M28.173B
ISL6423EVEZ-T	ISL6423EVEZ	-20 to +85	28 Ld HTSSOP (Tape & Reel)	M28.173B

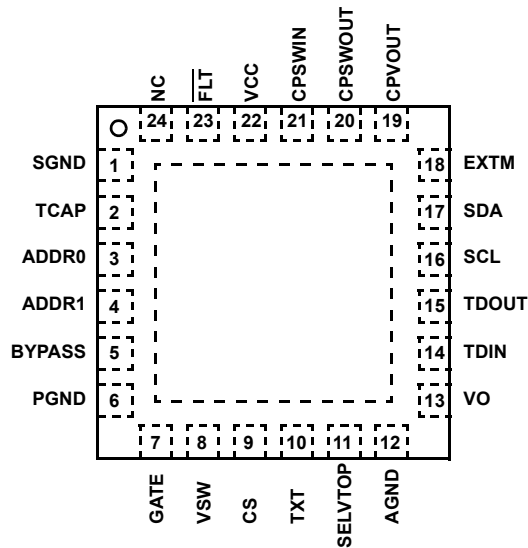
NOTE: Intersil Pb-free plus anneal products employ special Pb-free material sets; molding compounds/die attach materials and 100% matte tin plate termination finish, which are RoHS compliant and compatible with both SnPb and Pb-free soldering operations. Intersil Pb-free products are MSL classified at Pb-free peak reflow temperatures that meet or exceed the Pb-free requirements of IPC/JEDEC J STD-020.

**Pinouts**

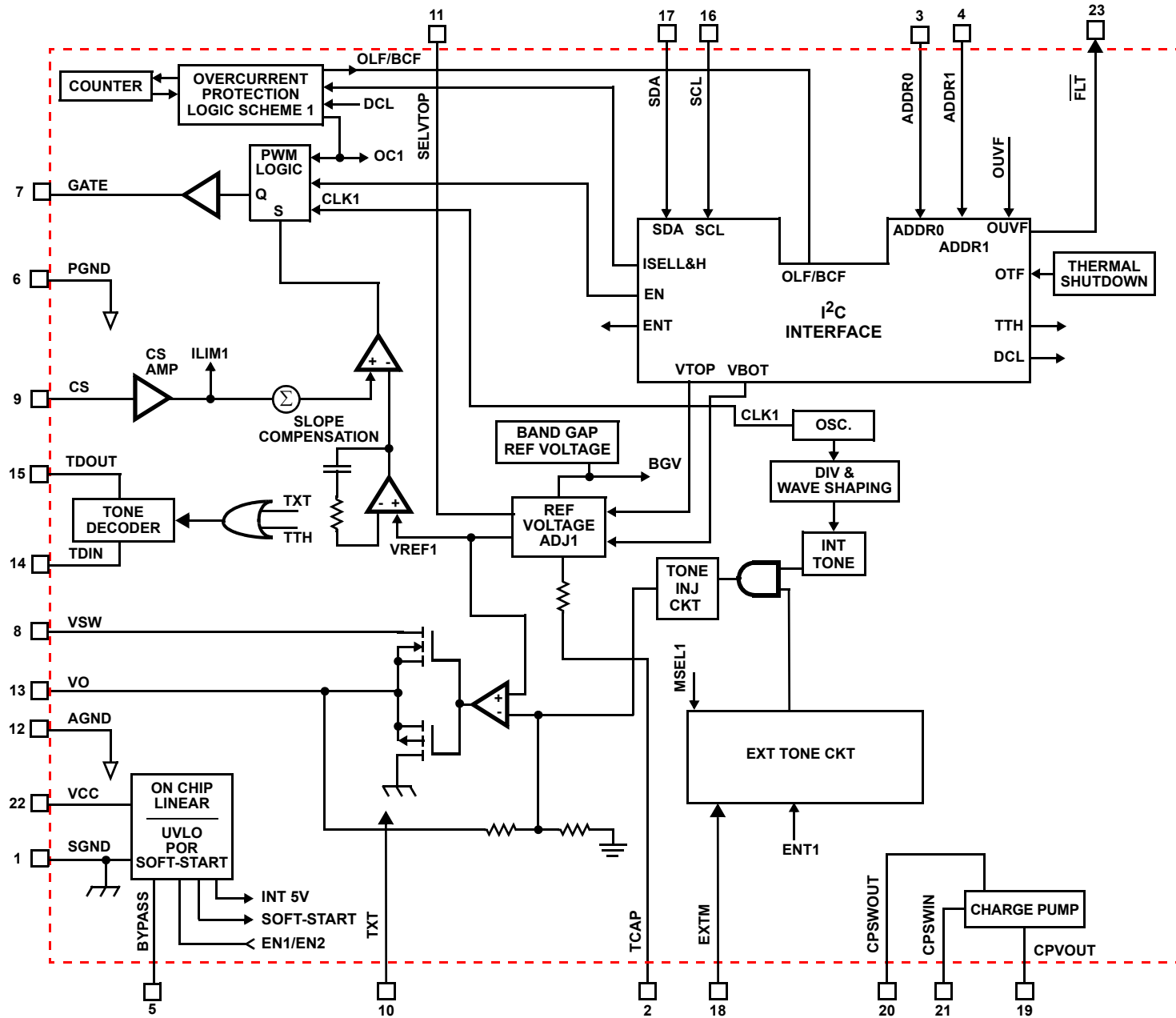
**ISL6423 (HTSSOP)**  
TOP VIEW



**ISL6423 (QFN)**  
TOP VIEW



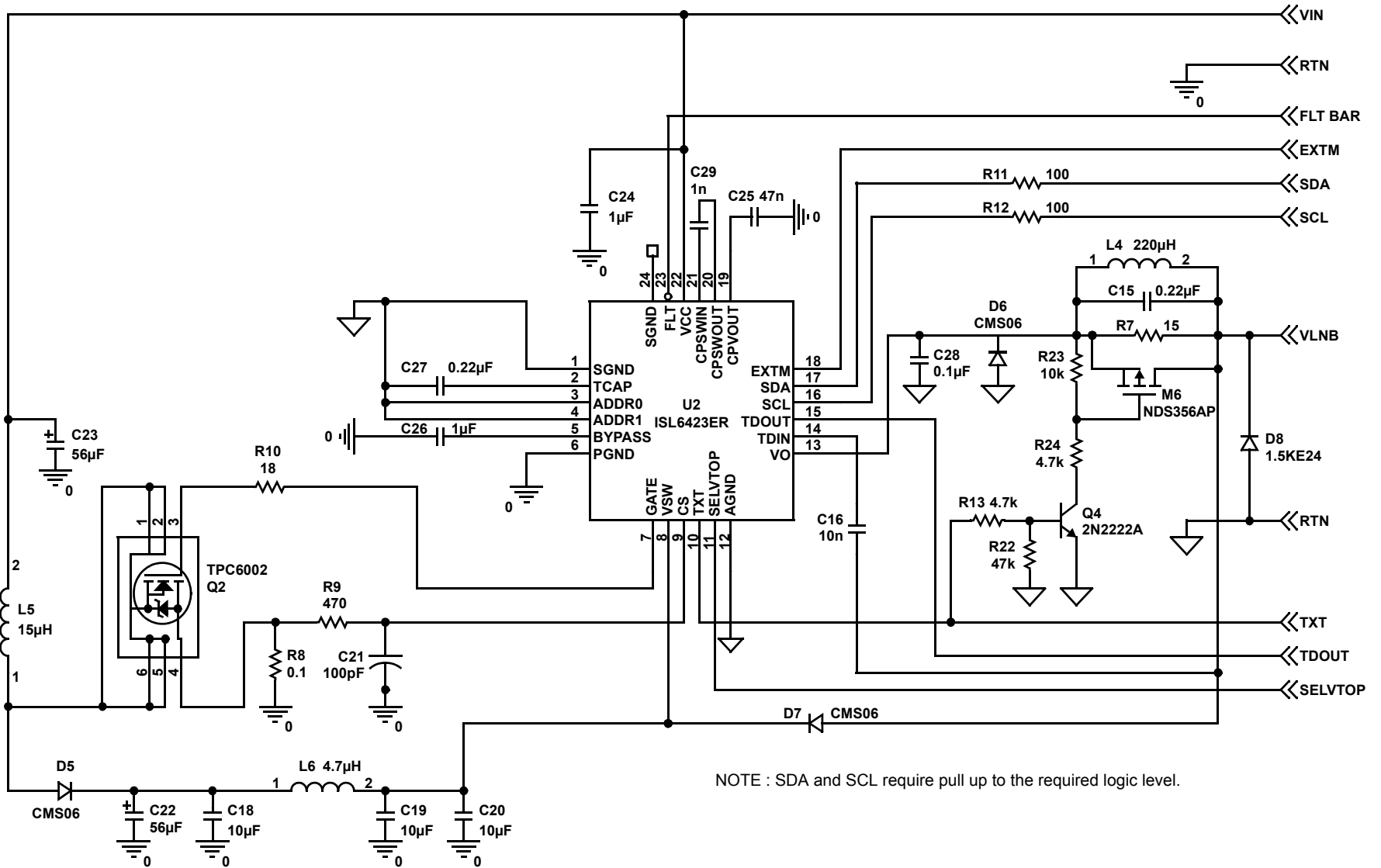
Block Diagram



NOTE:

1. Pinouts shown are for the QFN package.

Typical Application Schematic QFN



NOTE : SDA and SCL require pull up to the required logic level.

**Absolute Maximum Ratings**

Supply Voltage,  $V_{CC}$  ..... 8.0V to 18.0V  
 Logic Input Voltage Range  
 (SDA, SCL, ENT, DSQIN 1 and 2, SEL18V 1 and 2) ... -0.5V to 7V

**Thermal Information**

Thermal Resistance (Typical, Notes 2, 3)  $\theta_{JA}$  (°C/W)  $\theta_{JC}$  (°C/W)  
 QFN Package ..... 38 4.5  
 TSSOP Package ..... 35 2.5  
 Maximum Junction Temperature (Note 4) ..... +150°C  
 Maximum Storage Temperature Range ..... -40°C to +150°C  
 Operating Temperature Range ..... -20°C to +85°C

**CAUTION:** Stresses above those listed in "Absolute Maximum Ratings" may cause permanent damage to the device. This is a stress only rating and operation of the device at these or any other conditions above those indicated in the operational sections of this specification is not implied.

**NOTES:**

- $\theta_{JA}$  is measured in free air with the component mounted on a high effective thermal conductivity test board with "direct attach" features. See Tech Brief TB379.
- For  $\theta_{JC}$ , the "case temp" location is the center of the exposed metal pad on the package underside.
- The device junction temperature should be kept below +150°C. Thermal shut-down circuitry turns off the device if junction temperature exceeds +150°C typically.

**Electrical Specifications**  $V_{CC} = 12V$ ,  $T_A = -20^\circ\text{C}$  to  $+85^\circ\text{C}$ , unless otherwise noted. Typical values are at  $T_A = +25^\circ\text{C}$ . EN = H, VTOP VBOT = L, ENT = L, DCL = L, Iout = 12mA, unless otherwise noted. See software description section for I<sup>2</sup>C access to the system.

PARAMETER	SYMBOL	TEST CONDITIONS	MIN	TYP	MAX	UNITS
Operating Supply Voltage Range			8	12	14	V
Standby Supply Current		EN = L	-	1.5	3.0	mA
Supply Current	$I_{IN}$	EN = VTOP = VBOT = ENT = H, No Load	-	4.0	8.0	mA
<b>UNDERVOLTAGE LOCKOUT</b>						
Start Threshold			7.5	-	7.95	V
Stop Threshold			7.0	-	7.6	V
Start to Stop Hysteresis			350	400	500	mV
<b>SOFT-START</b>						
COMP Rise Time (Note 5)		(Note 5)	-	8196	-	Cycles
Output Voltage (Note 5)	$V_{O1}$	(Refer to Table 1)	13.04	13.3	13.56	V
	$V_{O1}$	(Refer to Table 1)	14.02	14.3	14.58	V
	$V_{O1}$	(Refer to Table 1)	17.94	18.3	18.66	V
	$V_{O1}$	(Refer to Table 1)	19.00	19.3	19.68	V
Line Regulation	$DV_{O1}$ , $DV_{O2}$	$V_{IN} = 8V$ to $14V$ ; $V_O = 13.3V$	-	4.0	40.0	mV
		$V_{IN} = 8V$ to $14V$ ; $V_O = 18.3V$	-	4.0	60.0	mV
Load Regulation	$DV_{O1}$ , $DV_{O2}$	$I_O = 0mA$ to $350mA$	-	50	80	mV
		$I_O = 0mA$ to $750mA$	-	100	200	mV
Dynamic Output Current Limiting	$I_{MAX}$	DCL = 0, ISEL H = 0, ISEL L = 0 (Note 8)	275	305	345	mA
		DCL = 0, ISEL H = 0, ISEL L = 1 (Note 8)	515	570	630	mA
		DCL = 0, ISEL H = 1, ISEL L = 0 (Note 8)	635	705	775	mA
		DCL = 0, ISEL H = 1, ISEL L = 1 (Note 8)	800	890	980	mA
Dynamic Overload Protection Off Time	TOFF	DCL = 0, Output Shorted (Note 8)	-	900	-	ms
Dynamic Overload Protection On Time	TON		-	20	-	ms
Static Output Current Limiting	$I_{MAX}$	DCL = 1 (Note 8)	-	990	-	mA
Cable Fault CABF Threshold	$I_{CAB}$	EN = 1, $V_O = 19V$ , No Tone	2	10	20	mA

**Electrical Specifications**  $V_{CC} = 12V$ ,  $T_A = -20^{\circ}C$  to  $+85^{\circ}C$ , unless otherwise noted. Typical values are at  $T_A = +25^{\circ}C$ . EN = H, VTOP VBOT = L, ENT = L, DCL = L,  $I_{out} = 12mA$ , unless otherwise noted. See software description section for  $I^2C$  access to the system. **(Continued)**

PARAMETER	SYMBOL	TEST CONDITIONS	MIN	TYP	MAX	UNITS
<b>tone oscillator</b>						
Tone Frequency	$f_{tone}$	ENT = H	20.0	22.0	24.0	kHz
Tone Amplitude	$V_{tone}$	ENT = H, $I_O = 5mA$	500	680	800	mV
Tone Duty Cycle	$d_{ctone}$	ENT = H	40	50	60	%
Tone Rise or Fall Time	$T_r, T_f$	ENT = H	5	10	14	$\mu s$
<b>tone decoder</b>						
Input Amplitude	$V_{tdin}$		200	-	1000	mV
Frequency Capture Range	$F_{tdin}$		17.5	-	26.5	kHz
Input Impedance	$Z_{det}$		-	8.6	-	$k\Omega$
Detector Output Voltage	$V_{tdout\_L}$	Tone Present, $I_{load} = 3mA$	-	-	0.4	V
Detector Output Leakage	$I_{tdout\_H}$	Tone absent, $V_O = 6V$	-	-	10	$\mu A$
Tone Decoder Rx Threshold	$V_{RXth}$	TXT = L & TTH = 0 (Note 9)	100	150	200	mV
Tone Decoder Tx Threshold	$V_{TXth}$	TXT = H & TTH = 0 (Note 9)	400	450	500	mV
<b>linear regulator</b>						
Drop-out Voltage		$I_{out} = 750mA$	-	0.80	1.05	V
Output Backward Leakage Current	$I_{OBK}$	EN = 0; $V_{OBK} = 27V$	-	2.0	3.0	mA
Output Backward Leakage Current	$I_{OBK}$	EN = 0; $V_{OBK} = 28V$	-	15	17	mA
Output Backward Current Threshold	$I_{OBKTH}$	EN = 1; $V_{OFAULT} = 19V$ (Note 7)	-	125	-	mA
Output Backward Voltage	$I_{OBK}$	EN = 0	-	-	27	V
Output Undervoltage (Asserted high during soft-start)		OUVF bit is asserted high, Measured from the typical output set value	-6	-	-2	%
Output Overvoltage (Asserted high during soft-start)		OUVF bit is asserted high, Measured from the typical output set value	+2	-	+6	%
<b>TXT, EXTM, SELVTOP AND ADDR 0/1 INPUT PINS (Note 8)</b>						
Asserted LOW			-	-	0.8	V
Asserted HIGH			1.7	-	-	V
Input Current			-	25	-	$\mu A$
<b>current sense (CS pin)</b>						
Input Bias Current	$I_{BIAS}$		-	700	-	nA
Overcurrent Threshold	$V_{CS}$	Static current mode, DCL = H	325	450	500	mV
<b>error amplifier</b>						
Open Loop Voltage Gain	$A_{OL}$		-	88	-	dB
Gain Bandwidth Product	GBP		-	14	-	MHz
<b>PWM</b>						
Maximum Duty Cycle			90	93	-	%
Minimum Pulse Width			-	20	-	ns
<b>oscillator</b>						
Oscillator Frequency	$f_o$	Fixed at $(20)f_{tone}$	396	440	484	kHz

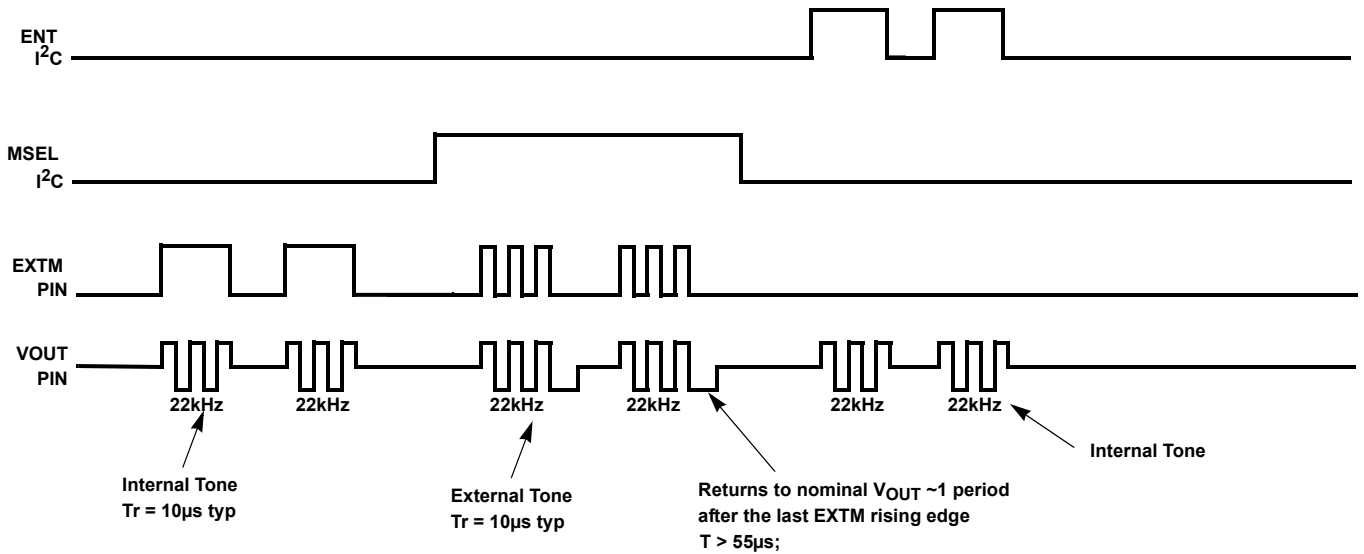
**Electrical Specifications**  $V_{CC} = 12V$ ,  $T_A = -20^{\circ}C$  to  $+85^{\circ}C$ , unless otherwise noted. Typical values are at  $T_A = +25^{\circ}C$ . EN = H, VTOP VBOT = L, ENT = L, DCL = L, Iout = 12mA, unless otherwise noted. See software description section for I<sup>2</sup>C access to the system. **(Continued)**

PARAMETER	SYMBOL	TEST CONDITIONS	MIN	TYP	MAX	UNITS
<b>THERMAL SHUTDOWN</b>						
Temperature Shutdown Threshold			-	150	-	°C
Temperature Shutdown Hysteresis			-	20	-	°C
<b>FLT</b>						
FLT (released)		$V_O = 6V$	-	-	10	μA
FLT (asserted)		$I_{SINK} = 3.2mA$	-	-	0.4	V

NOTES:

- Internal digital soft-start.
- EXTM, TXT and SELVTOP and addr 0/1 pins have 200k internal pulldown resistors.
- On exceeding this backward current limit threshold for a period of 100μs, the device enters the dynamic current limit mode and the BCF I<sup>2</sup>C bit is set. The dynamic current limit duty ratio during a back current fault is ON = 100μs/OFF = 5ms.
- In the Dynamic current limit mode the output is ON for 20ms and OFF for 900ms, but remains continuously ON in the Static mode. When tone is ON, the minimum current limit is 50mA lower than the values indicated in the table. While in the dynamic mode of current limit the overload trip level is momentarily increased to 990mA during the 20ms ON time to facilitate recovery from overload conditions.

**Tone Waveform**



NOTES:

- The signal pin TXT changes the decoder threshold during tone transmit and receive. TTH allows threshold control through I<sup>2</sup>C.
- The tone rise and fall times are not shown due to resolution of graphics. It is 10μs typical for 22kHz.
- The EXTM pins have input thresholds of  $V_{il}(max) = 0.8V$  and  $V_{ih}(min) = 1.7V$

**FIGURE 1. TONE WAVEFORM**

## Typical Performance Curves

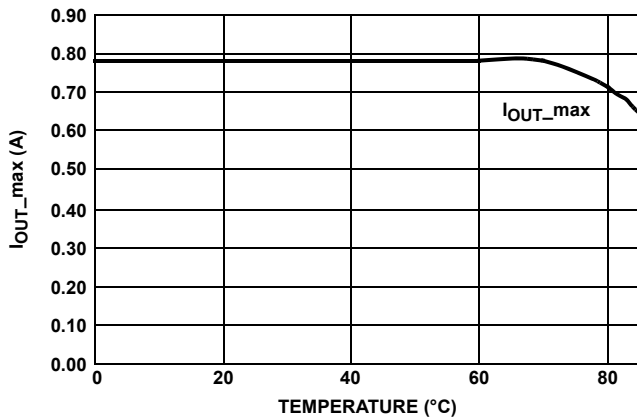


FIGURE 2. OUTPUT CURRENT DERATING (HTSSOP)

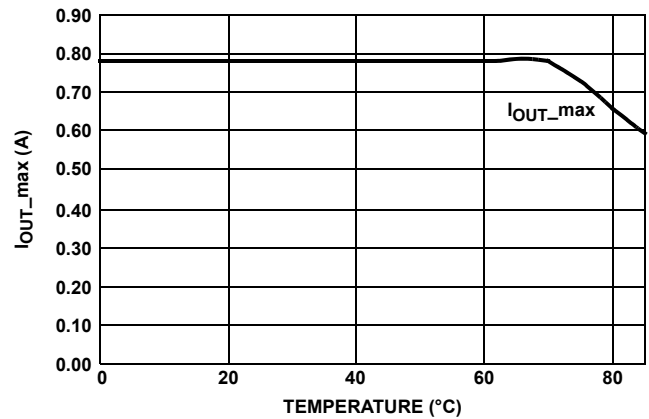


FIGURE 3. OUTPUT CURRENT DERATING (4x4 QFN)

## Functional Pin Description

SYMBOL	FUNCTION
SDA	Bidirectional data from/to I <sup>2</sup> C bus.
SCL	Clock from I <sup>2</sup> C bus.
VSW	Input of the linear post-regulator.
PGND	Dedicated ground for the output gate driver of respective PWM.
CS	Current sense input; connect the sense resistor R <sub>sc</sub> at this pin for desired peak overcurrent value for the boost FET. The set peak limit is effective in the static mode current limit only (i.e., DCL = HIGH).
SGND	Small signal ground for the IC.
TCAP	Capacitor for setting rise and fall time of the output voltage. Typical value is 0.1μF.
BYPASS	Bypass capacitor for internal 5V.
TXT	TXT is the Tone Transmit signal input used to change the Tone Decoder Threshold from TXT = 0, 200mV maximum during Receive to TXT = 1, 400mV minimum during transmit.
VCC	Main power supply to the chip.
GATE	This output drives the boost FET gate. The output is held low when VCC is below the UVLO threshold.
VO	Output voltage for the LNB is available at VO pin.
ADDR0 and ADDR1	Logic combination at the ADDR0 and 1 can select four different chip select addresses.
EXTM	This pin can be used in two ways: 1) As an input for externally modulated Diseqc tone signal which is transferred to the symmetrically onto Vout 2) Alternatively apply a Diseqc modulation envelope which modulates an internal tone and then transfers it symmetrically onto Vout.
FLT	This is an open drain output from the controller. when the $\overline{\text{flt}}$ goes low it indicates that an over temperature, over load fault, back current fault, UVLO, or an I <sup>2</sup> C reset condition has occurred. The processor should then look at the I <sup>2</sup> C register to get the actual cause of the error. A high on the FLT indicates that the device is functioning normally.
CPVOUT, CPSWIN, CPSWOUT	A 47n charge pump decoupling capacitor is to be connected to CPVOUT. Connect a 1.5n capacitor between CPSWIN and CPSWOUT.
SELVTOP	When this pin is low the Vout is in the 13V/14V range selected by the I <sup>2</sup> C bit VBOT. When this pin is high the 18V/19V range selected by the I <sup>2</sup> C bit VTOP. The Voltage select pin enable VSPEN I <sup>2</sup> C bit must be set low for the SELVTOP pins to be active. Setting VSPEN high disables this pins and voltage selection will be done using the I <sup>2</sup> C bits VBOT and VTOP only.
TDIN, TDOUT	TDIN is the tone decoder input and TDOUT is the tone detector output. TDOUT is an open drain output.



## Functional Description

The ISL6423 single output voltage regulator makes an ideal choice for advanced satellite set-top box and personal video recorder applications. The device utilizes built-in DC/DC step up converters that, operates from a single supply source ranging from 8V to 14V, and generates the voltage needed to enable the linear post-regulator to work with a minimum of dissipated power. An undervoltage lockout circuit disables the device when VCC drops below a fixed threshold (7.5V typical).

### DiSEqC Encoding

The internal oscillator is factory-trimmed to provide a tone of 22kHz in accordance with DiSEqC (EUTELSAT) standards. No further adjustment is required. The tone oscillator can be controlled either by the I<sup>2</sup>C interface (ENT bit) or by a dedicated pin (EXTM) that allows immediate DiSEqC data encoding separately for each LNB. All the functions of this IC are controlled via the I<sup>2</sup>C bus by writing to the system registers. The same registers can be read back, and four bits will report the diagnostic status. The internal oscillator operates the converters at twenty times the 22k tone frequency. The device offers full I<sup>2</sup>C compatibility, and supports 2.5V, 3.3V or 5V logic, up to an operational speed of 400kHz.

If the Tone Enable (ENT) bit is set LOW and the MSEL bits set LOW through I<sup>2</sup>C, then the EXTM terminal activates the internal tone signal, modulating the DC output with a 680mV<sub>PP</sub> typical symmetrical tone waveform. The presence of this signal usually provides the LNB with information about the band to be received.

Burst coding of the tone can be accomplished due to the fast response of the EXTM input and rapid tone response. This allows implementation of the DiSEqC (EUTELSAT) protocols.

When the ENT bit is set HIGH, a continuous 22kHz tone is generated regardless of the EXTM pin logic status for the regulator channel LNB-A. The ENT bit must be set LOW when the EXTM pin is used for DiSEqC encoding.

The EXTM accepts an externally modulated tone command when the MSEL I<sup>2</sup>C bit is set HIGH and ENT is set LOW.

### DiSEqC Decoder

TDIN is the input to the tone decoder. It accepts the tone signal derived from the Vout thru the 10nF decoupling capacitor. The detector threshold can be set to 200mV maximum in the receive mode and to 400mV minimum in the transmit mode by means of the logic presented to the TXT pin. If tone is detected the open drain pin TDOUT is asserted low. This enables the tone diagnostics to be performed, apart from the normal tone detection function.

## Linear Regulator

The output linear regulator will sink and source current. This feature allows full modulation capability into capacitive loads as high as 0.75μF. In order to minimize the power dissipation, the output voltage of the internal step-up converter is adjusted to allow the linear regulator to work at minimum dropout.

When the device is put in the shutdown mode (EN = LOW), the PWM power block is disabled. When the regulator blocks are active (EN = HIGH and VSPEN = LOW), the output can be controlled via I<sup>2</sup>C logic to be 13V/14V or 18V/19V (typical) by means of the VTOP and VBOT bits (voltage select) for remote controlling of non-DiSEqC LNBs.

When the regulator blocks are active (EN = HIGH and VSPEN = HIGH), the VBOT and SELVTOP pin will control the output between 13V and 14V and the VTOP and SELVTOP pin will control the output between 18V and 19V.

### Output Timing

The output voltage rise and fall times can be set by an the external capacitor on the TCAP pin. The output voltage slew rate for the rise is given by the equation:

$$\text{SlewRate in } \frac{\text{V}}{\text{ms}} = \frac{270}{\text{C}} \quad (\text{EQ. 1})$$

Where C is the TCAP value in nF. For example, a 150nF TCAP will provide for a slew rate of 1.8V/ms and thus a rise time of 3.3ms for a 6V transition. The output fall time is faster by a factor of 3.5.

The maximum value for TCAP would be based on the maximum transition time allowed in the system application. Too small a value of the TCAP can cause high peak currents in the boost circuit. For example, a 10V/ms slew on a 80μF VSW capacitor with an inductor of 15μH can cause a peak inductor current of approximately 2.3A.

### Current Limiting

Dynamic current limiting block has four thresholds that can be selected by the ISEL H and ISEL L bits of the SR. Refer to Table 8 and Table 9 for threshold selection using these bits. The DCL bit has to be set to low for this mode of operation. In this mode the overcurrent protection circuit works dynamically: 23μs after an overload is detected, the output is shutdown for a time t<sub>OFF</sub>, typically 900ms. Simultaneously, the OLF bit of the system register is set to HIGH. After this time has elapsed, the output is resumed for a time t<sub>ON</sub> = 20ms. During t<sub>ON</sub>, the device output will be current limited to 990mA. At the end of t<sub>ON</sub>, if the overload per that set by ISELL and ISELH bits is still detected, the protection circuit will again cycle through t<sub>OFF</sub> and t<sub>ON</sub>. At the end of a full t<sub>ON</sub> in which no overload is detected, normal operation is resumed and the OLF bit is reset to LOW. Typical t<sub>ON</sub> + t<sub>OFF</sub> time is 920ms as determined by an internal timer. This dynamic operation greatly reduces the power dissipation in a short circuit condition, while still ensuring excellent power-on start-up in most conditions.

However, there could be some cases in which a highly capacitive load on the output may cause a difficult start-up when the dynamic protection is selected. This can be solved by initiating any power start-up in static mode (DCL = HIGH) and then switching to the dynamic mode (DCL = LOW) after a predetermined interval. When in static mode, the OLF bit goes HIGH when the current clamp limit is reached and returns LOW when the overload condition is cleared. The OLF/BCF bit will be LOW at the end of initial power-on soft-start. In the static mode the output current through the linears is limited to a 990mA typical.

When a 19.3V line is connected onto a VOUT1 or 2 that has been set to 13.3V the linear will then enter a back current limited state. When a back current of greater than 125mA typical is sensed at the lower FET of the linear for a period greater than 100µs, the output is disabled for a period of 5ms and the BCF bit is set. If the 19.3V remains connected, the output will cycle through the ON = 100µs/OFF = 5ms. The output will recover when the fault is removed.

**Thermal Protection**

This IC is protected against overheating. When the junction temperature exceeds 150°C (typical), the step-up converter and the linear regulator are shut off and the OTF bit of the SR is set HIGH. When the junction is cooled down to +130°C (typical), normal operation is resumed and the OTF bit is reset LOW.

In over temperature conditions, the OTF flag goes HIGH and the I<sup>2</sup>C data will be cleared. The user may need to monitor the I<sup>2</sup>C enable bits and OTF flag continuously and enable the chip, if I<sup>2</sup>C data is cleared. OTF conditions may also make the OLF flags go HIGH, when high capacitive loads are present or self-heating conditions occur at higher loads.

**External Output Voltage Selection**

When the I<sup>2</sup>C bit VSPEN is set high the output voltage can be selected by the I<sup>2</sup>C bus. Additionally, the package offers the pin SELVTOP for independent 13V thru 19V output voltage selection, when the VSPEN bit is set low. A summary of the voltage control is given in the Table 1. For further details refer to the individual registers SR1 and SR3

TABLE 1.

VSPEN	VTOP	VBOT	SELVTOP	VOUT (V)
0	x	0	0	13.3
0	x	1	0	14.3
0	0	x	1	18.3
0	1	x	1	19.3
1	0	0	x	13.3
1	0	1	x	14.3
1	1	0	x	18.3
1	1	1	x	19.3

**I<sup>2</sup>C Bus Interface for ISL6423**

(Refer to Philips I<sup>2</sup>C Specification, Rev. 2.1)

Data transmission from main microprocessor to the ISL6423 and vice versa takes place through the two wire I<sup>2</sup>C bus interface, consisting of the two lines SDA and SCL. Both SDA and SCL are bidirectional lines, connected to a positive supply voltage via a pull up resistor. (Pull-up resistors to positive supply voltage must be externally connected). When the bus is free, both lines are HIGH. The output stages of ISL6423 will have an open drain/open collector in order to perform the wired-AND function. Data on the I<sup>2</sup>C bus can be transferred up to 100kbps in the standard-mode or up to 400kbps in the fast-mode. The level of logic “0” and logic “1” is dependent of associated value of V<sub>DD</sub> as per electrical specification table. One clock pulse is generated for each data bit transferred.

**Data Validity**

The data on the SDA line must be stable during the HIGH period of the clock. The HIGH or LOW state of the data line can only change when the clock signal on the SCL line is LOW. Refer to Figure 4.

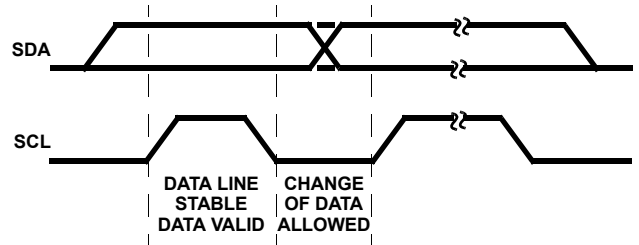


FIGURE 4. DATA VALIDITY

**START and STOP Conditions**

As shown in Figure 5, START condition is a HIGH to LOW transition of the SDA line while SCL is HIGH.

The STOP condition is a LOW to HIGH transition on the SDA line while SCL is HIGH. A STOP condition must be sent before each START condition.

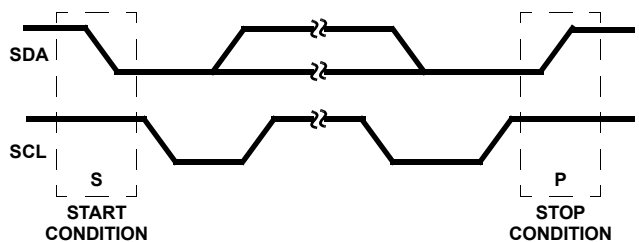


FIGURE 5. START AND STOP WAVEFORMS

**Byte Format**

Every byte put on the SDA line must be eight bits long. The number of bytes that can be transmitted per transfer is unrestricted. Each byte has to be followed by an acknowledge bit. Data is transferred with the most significant bit first (MSB).

**Acknowledge**

The master (microprocessor) puts a resistive HIGH level on the SDA line during the acknowledge clock pulse (Figure 6). The peripheral that acknowledges has to pull-down (LOW) the SDA line during the acknowledge clock pulse, so that the SDA line is stable LOW during this clock pulse. (Of course, set-up and hold times must also be taken into account.)

The peripheral which has been addressed has to generate an acknowledge after the reception of each byte, otherwise the SDA line remains at the HIGH level during the ninth clock pulse time. In this case, the master transmitter can generate the STOP information in order to abort the transfer. The ISL6423 will not generate the acknowledge if the POWER OK signal from the UVLO is LOW.

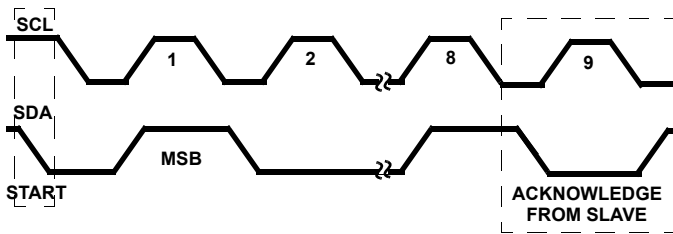


FIGURE 6. ACKNOWLEDGE ON THE I<sup>2</sup>C BUS

**Transmission Without Acknowledge**

Avoiding detection of the acknowledgement, the microprocessor can use a simpler transmission; it waits one clock without checking the slave acknowledging, and sends the new data.

This approach, though, is less protected from error and decreases the noise immunity.

**ISL6423 Software Description**

**Interface Protocol**

The interface protocol is comprised of the following, as shown below in Table 2:

- A start condition (S)
- A chip address byte (MSB on left; the LSB bit determines read (1) or write (0) transmission) (the assigned I<sup>2</sup>C slave address for the ISL6423 is 0001 0XXX)
- A sequence of data (1 byte + Acknowledge)
- A stop condition (P)

TABLE 2. INTERFACE PROTOCOL

S	0	0	0	1	0	A1	A0	R/W	ACK	Data (8 bits)	ACK	P
---	---	---	---	---	---	----	----	-----	-----	---------------	-----	---

**System Register Format**

- R, W = Read and Write bit
- R = Read-only bit

All bits reset to 0 at Power-On

TABLE 3. STATUS REGISTER (SR1)

R, W	R, W	R, W	R	R	R	R	R
SR1H	SR1M	SR1L	OTF	CABF	OUVF	OLF	BCF

TABLE 4. TONE REGISTER (SR2)

R, W	R, W	R, W	R, W	R, W	R, W	R, W	R, W
SR2H	SR2M	SR2L	ENT	MSEL	TTH	X	X

TABLE 5. COMMAND REGISTER (SR3)

R, W	R, W	R, W	R, W	R, W	R, W	R, W	R, W
SR3H	SR3M	SR3L	DCL	VSPEN	X	ISELH	ISELL

TABLE 6. CONTROL REGISTER (SR4)

R, W	R, W	R, W	R, W	R, W	R, W	R, W	R, W
SR4H	SR4M	SR4L	EN			VTOP	VBOT

**Transmitted Data (I<sup>2</sup>C bus WRITE mode)**

When the R/W bit in the chip is set to 0, the main microprocessor can write on the system registers (SR2 thru SR4) of the ISL6423 via I<sup>2</sup>C bus. These will be written by the microprocessor as shown below. The spare bits of registers can be used for other functions.

TABLE 7. STATUS REGISTER SR1 CONFIGURATION

SR1H	SR1M	SR1L	OTF	CABF	OUVF	OLF	BCF	FUNCTION
0	0	0	X	X	X	X	X	SR1 is selected
0	0	0	X	X	X	0	X	Iout ≤ set limit, normal operation
0	0	0	X	X	X	1	X	Iout > static/dynamic limiting mode/power blocks disabled
0	0	0	X	X	X	X	0	Iobck ≤ set limit, normal operation
0	0	0	X	X	X	X	1	Iobck > dynamic limiting mode/power blocks disabled
0	0	0	X	X	0	X	X	Vin/Vout within specified range
0	0	0	X	X	1	X	X	Vin/Vout is not within specified range
0	0	0	X	0	X	X	X	Cable is connected, I <sub>o</sub> is > 20mA
0	0	0	X	1	X	X	X	Cable is open, I <sub>o</sub> < 2mA
0	0	0	0	X	X	X	X	T <sub>J</sub> ≤ +130°C, normal operation
0	0	0	1	X	X	X	X	T <sub>J</sub> > +150°C, power blocks disabled

TABLE 8. TONE REGISTER SR2 CONFIGURATION

SR2H	SR2M	SR2L	ENT	MSEL	TTH	X	X	FUNCTION
0	0	1	X	X	X	X	X	SR2 is selected
0	0	1	0	0	X	X	X	Int Tone = 22kHz, modulated by EXTM, T <sub>r</sub> , T <sub>f</sub> = 10μs typical
0	0	1	0	1	X	X	X	Ext 22k modulated input, T <sub>r</sub> , T <sub>f</sub> = 10μs typical
0	0	1	1	0	X	X	X	Int Tone = 22kHz, modulated by ENT bit, T <sub>r</sub> , T <sub>f</sub> = 10μs typical
0	0	1	X	X	0	X	X	TXT = 0; Decoder Rx threshold is set at 200mV maximum
0	0	1	X	X	1	X	X	TXT = 0; Decoder Tx threshold is set at 400mV minimum

NOTE: X indicates "Read Only" and is a "Don't Care" for the Write mode.

TABLE 9. COMMAND REGISTER SR3 CONFIGURATION

SR3H	SR3M	SR3L	DCL	VSPEN	X	ISELH	ISELL	FUNCTION
0	1	0	X	X	X	X	X	SR3 is selected
0	1	0	0	X	X	0	0	Iout1 = 275mA maximum
0	1	0	0	X	X	0	1	Iout1 = 515mA maximum
0	1	0	0	X	X	1	0	Iout1 = 635mA maximum
0	1	0	0	X	X	1	1	Iout1 = 800mA maximum
0	1	0	1	X	X	X	X	Dynamic current limit NOT selected
0	1	0	0	X	X	X	X	Dynamic current limit selected
0	1	0	X	0	X	X	X	SELVTOP H/W pin enabled
0	1	0	X	1	X	X	X	SELVTOP H/W pin disabled

NOTE: X indicates "Read Only" and is a "Don't Care" for the Write mode.

TABLE 10. CONTROL REGISTER SR4 CONFIGURATION

SR4H	SR4M	SR4L	EN	X	X	VTOP	VBOT	FUNCTION
0	1	1	1	X	X	0	0	SR4 is selected
0	1	1	1	X	X	0	0	VSPEN = SELVTOP = 0, Vout1 = 13V, Vboost1 = 13V + Vdrop
0	1	1	1	X	X	0	1	VSPEN = SELVTOP = 0, Vout1 = 14V, Vboost1 = 14V + Vdrop
0	1	1	1	X	X	1	0	VSPEN = SELVTOP = 0, Vout1 = 13V, Vboost1 = 13V + Vdrop
0	1	1	1	X	X	1	1	VSPEN = SELVTOP = 0, Vout1 = 14V, Vboost1 = 14V + Vdrop
0	1	1	1	X	X	0	0	VSPEN = 0, SELVTOP = 1, Vout1 = 18V, Vboost1 = 18V + Vdrop
0	1	1	1	X	X	0	1	VSPEN = 0, SELVTOP = 1, Vout1 = 18V, Vboost1 = 18V + Vdrop
0	1	1	1	X	X	1	0	VSPEN = 0, SELVTOP = 1, Vout1 = 19V, Vboost1 = 19V + Vdrop
0	1	1	1	X	X	1	1	VSPEN = 0, SELVTOP = 1, Vout1 = 19V, Vboost1 = 19V + Vdrop
0	1	1	1	X	X	0	0	VSPEN = 1, SELVTOP = X Vout1 = 13V, Vboost1 = 13V + Vdrop
0	1	1	1	X	X	0	1	VSPEN = 1, SELVTOP = X Vout1 = 14V, Vboost1 = 14V + Vdrop
0	1	1	1	X	X	1	0	VSPEN = 1, SELVTOP = X Vout1 = 18V, Vboost1 = 18V + Vdrop
0	1	1	1	X	X	1	1	VSPEN = 1, SELVTOP = X Vout1 = 19V, Vboost1 = 19V + Vdrop
0	1	1	0	X	X	X	X	PWM and Linear for channel 1 disabled

NOTE: X indicates "Read Only" and is a "Don't Care" for the Write mode.

### Received Data (I<sup>2</sup>C bus READ MODE)

The ISL6423 can provide to the master a copy of the system register information via the I<sup>2</sup>C bus in read mode. The read mode is Master activated by sending the chip address with R/W bit set to 1. At the following Master generated clock bits, the ISL6423 issues a byte on the SDA data bus line (MSB transmitted first).

At the ninth clock bit the MCU master can:

- Acknowledge the reception, starting in this way the transmission of another byte from the ISL6423.
- Not acknowledge, stopping the read mode communication.

The read only bits of the register SR1 convey diagnostic information about the ISL6423, as indicated in the Table 7.

### Power-On I<sup>2</sup>C Interface Reset

The I<sup>2</sup>C interface built into the ISL6423 is automatically reset at power-on. The I<sup>2</sup>C interface block will receive a power OK logic signal from the UVLO circuit. This signal will go HIGH when chip power is OK. As long as this signal is LOW, the interface will not respond to any I<sup>2</sup>C commands and the system register SR1 thru SR4 are all initialized to zero, thus keeping the power blocks disabled. Once the VCC rises above UVLO, the POWER OK signal to the I<sup>2</sup>C is asserted high, and the I<sup>2</sup>C interface becomes operative and the SR's can be configured by the main microprocessor. About 400mV of hysteresis is provided in the UVLO threshold to avoid false triggering of the power-on reset circuit. (I<sup>2</sup>C comes up with EN = 0; EN goes HIGH at the same time as (or later than) all other I<sup>2</sup>C data for that PWM becomes valid).

### ADDR0 and ADDR1 Pins

Connecting these pin to GND the chip I<sup>2</sup>C interface address is 0001000, but, it is possible to choose between four different addresses by setting these pins to the logic levels indicated in Table 11.

TABLE 11. ADDRESS PIN CHARACTERISTICS

V <sub>ADDR</sub>	ADDR1	ADDR0
V <sub>ADDR-1</sub> "0001000"	0	0
V <sub>ADDR-2</sub> "0001001"	0	1
V <sub>ADDR-3</sub> "0001010"	1	0
V <sub>ADDR-4</sub> "0001011"	1	1

## I<sup>2</sup>C Bit Description

BIT NAME	DESCRIPTION
EN	ENable Output for channels 1 and 2
VTOP	Voltage TOP Select i.e., 18V/19V for channels 1 and 2
VBOT	Voltage BOTtom Select i.e., 13V/14V for channels 1 and 2
ENT	ENable Tone
MSEL	Modulation SElect
DCL	Dynamic Current Limit select
VSPEN	Voltage Select Pin ENable
ISELH and ISELL	Current limit "I" SElect High and Low bit
OTF	Over Temperature Fault bit
CABF	CABLe Fault or open status bit.
OUVF	Over and Under Voltage Fault status bit
OLF	Over Load Fault status bit
BCF	Backward Current Fault bit
TTH	Tone THreshold is the OR of the signal pin TXT

## I<sup>2</sup>C Electrical Characteristics

TABLE 12.

PARAMETER	TEST CONDITION	MIN	TYP	MAX
Input Logic High, VIH	SDA, SCL	2.0V		
Input Logic Low, VIL	SDA, SCL			0.8V
Input Logic Current, IIL	SDA, SCL; 0.4V < V <sub>DD</sub> < 3.3V			10μA
Input Logic Current IOL	VOL = 0.4V	3mA		
Input Hysteresis	SDA, SCL	165mV	200mV	235mV
SCL Clock Frequency		0	100kHz	400kHz
Input Filter Spike reject			50ns	

© Copyright Intersil Americas LLC 2006-2008. All Rights Reserved.  
All trademarks and registered trademarks are the property of their respective owners.

For additional products, see [www.intersil.com/en/products.html](http://www.intersil.com/en/products.html)

Intersil products are manufactured, assembled and tested utilizing ISO9001 quality systems as noted in the quality certifications found at [www.intersil.com/en/support/qualandreliability.html](http://www.intersil.com/en/support/qualandreliability.html)

*Intersil products are sold by description only. Intersil may modify the circuit design and/or specifications of products at any time without notice, provided that such modification does not, in Intersil's sole judgment, affect the form, fit or function of the product. Accordingly, the reader is cautioned to verify that datasheets are current before placing orders. Information furnished by Intersil is believed to be accurate and reliable. However, no responsibility is assumed by Intersil or its subsidiaries for its use; nor for any infringements of patents or other rights of third parties which may result from its use. No license is granted by implication or otherwise under any patent or patent rights of Intersil or its subsidiaries.*

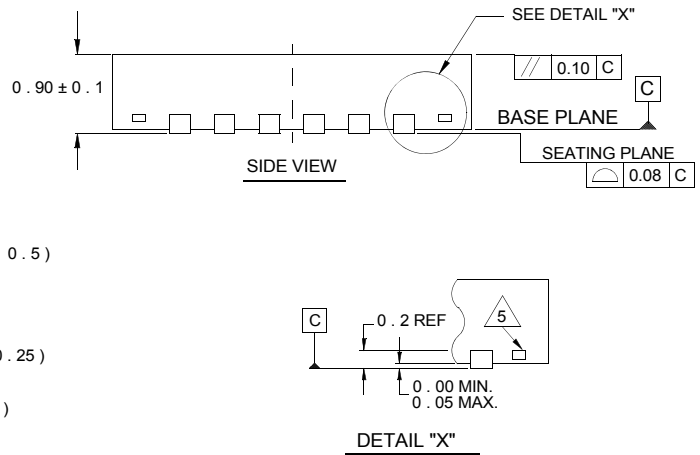
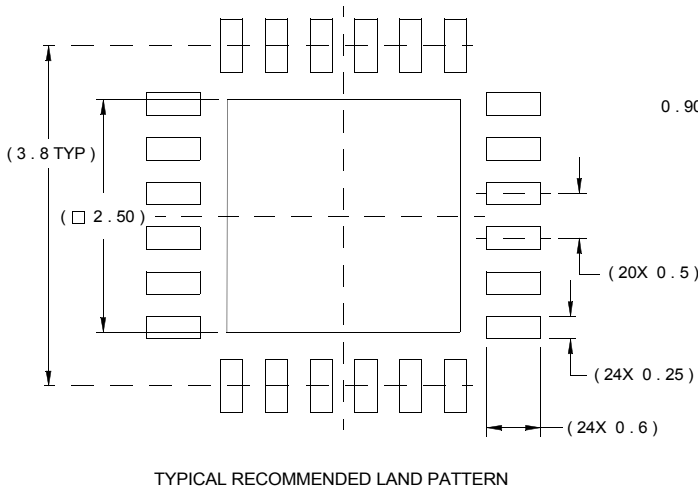
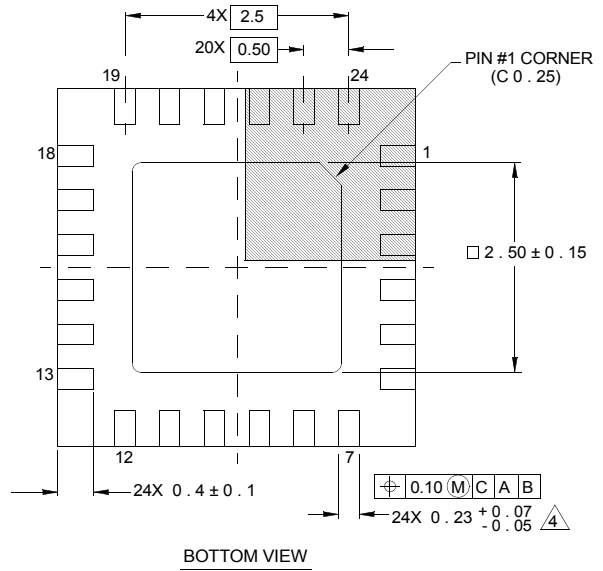
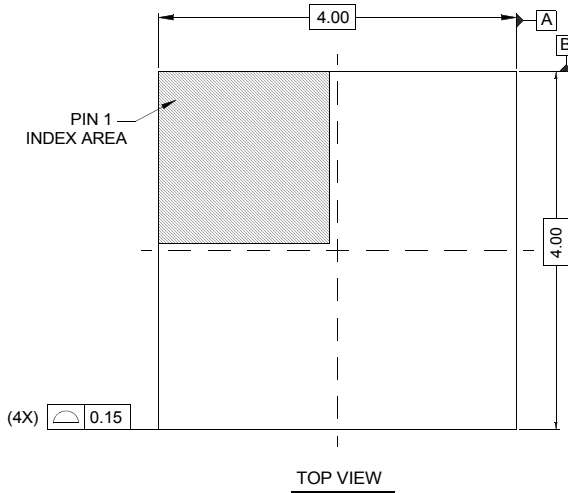
For information regarding Intersil Corporation and its products, see [www.intersil.com](http://www.intersil.com)

# Package Outline Drawing

## L24.4x4D

24 LEAD QUAD FLAT NO-LEAD PLASTIC PACKAGE

Rev 2, 10/06

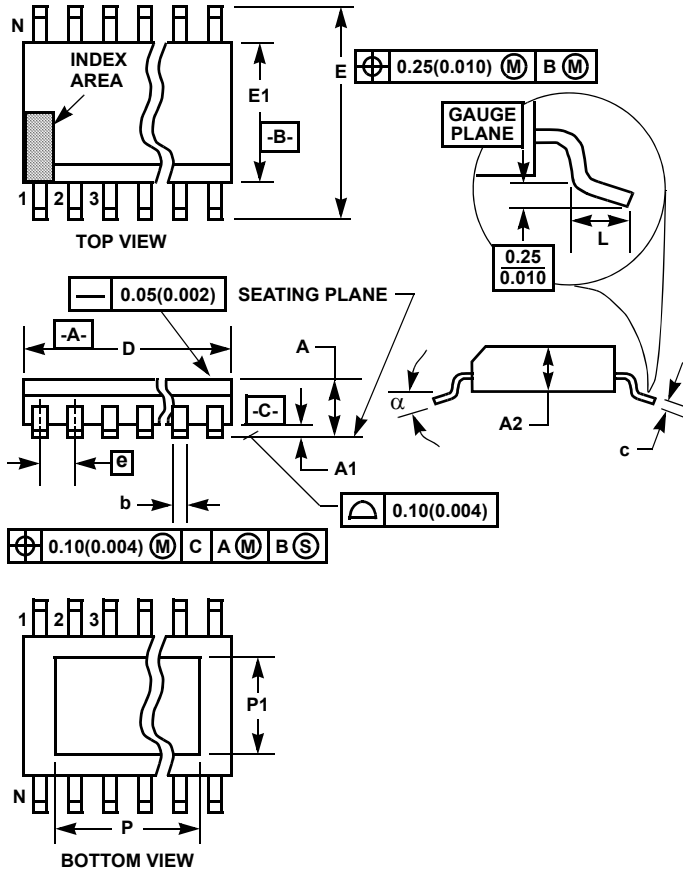


NOTES:

1. Dimensions are in millimeters.  
Dimensions in ( ) for Reference Only.
2. Dimensioning and tolerancing conform to AMSE Y14.5m-1994.
3. Unless otherwise specified, tolerance : Decimal ± 0.05
4. Dimension b applies to the metallized terminal and is measured between 0.15mm and 0.30mm from the terminal tip.
5. Tiebar shown (if present) is a non-functional feature.
6. The configuration of the pin #1 identifier is optional, but must be located within the zone indicated. The pin #1 identifier may be either a mold or mark feature.



**Thin Shrink Small Outline Exposed Pad Plastic Packages (EPTSSOP)**



**M28.173B**

**28 LEAD THIN SHRINK SMALL OUTLINE PLASTIC PACKAGE**

SYMBOL	INCHES		MILLIMETERS		NOTES
	MIN	MAX	MIN	MAX	
A	-	0.047	-	1.20	-
A1	0.002	0.006	0.05	0.15	-
A2	0.031	0.051	0.80	1.05	-
b	0.0075	0.0118	0.19	0.30	9
c	0.0035	0.0079	0.09	0.20	-
D	0.378	0.386	9.60	9.80	3
E1	0.169	0.177	4.30	4.50	4
e	0.026 BSC		0.65 BSC		-
E	0.246	0.256	6.25	6.50	-
L	0.0177	0.0295	0.45	0.75	6
N	28		28		7
$\alpha$	0°	8°	0°	8°	-
P	-	0.138	-	5.50	11
P1	-	0.118	-	3.0	11

Rev. 0 6/05

**NOTES:**

1. These package dimensions are within allowable dimensions of JEDEC MO-153-AET, Issue E.
2. Dimensioning and tolerancing per ANSI Y14.5M-1982.
3. Dimension "D" does not include mold flash, protrusions or gate burrs. Mold flash, protrusion and gate burrs shall not exceed 0.15mm (0.006 inch) per side.
4. Dimension "E1" does not include interlead flash or protrusions. Interlead flash and protrusions shall not exceed 0.15mm (0.006 inch) per side.
5. The chamfer on the body is optional. If it is not present, a visual index feature must be located within the crosshatched area.
6. "L" is the length of terminal for soldering to a substrate.
7. "N" is the number of terminal positions.
8. Terminal numbers are shown for reference only.
9. Dimension "b" does not include dambar protrusion. Allowable dambar protrusion shall be 0.08mm (0.003 inch) total in excess of "b" dimension at maximum material condition. Minimum space between protrusion and adjacent lead is 0.07mm (0.0027 inch).
10. Controlling dimension: MILLIMETER. Converted inch dimensions are not necessarily exact. (Angles in degrees)
11. Dimensions "P" and "P1" are thermal and/or electrical enhanced variations. Values shown are maximum size of exposed pad within lead count and body size.