
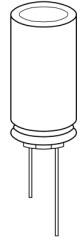


单端式

B41866C3228M008

RoHS Reach Pb Free

| | |
|----|--|
| 型 | B41866 |
| 特点 | High ripple current |
| 状态 |  量产体制 |



尺寸

D x L 12.5mm x 20mm

其他详细信息 [请参照规格书](#)

电气特性

额定电容 2200 μ F

额定电压 [DC] 10V

额定纹波电流 1.105A (100kHz, 125° C)

最大ESR 0.11 Ω (10kHz, 20° C)

最大阻抗 0.104 Ω (100kHz, 20° C)

其他详细信息 [请参照规格书](#)

其他

最低温度 -55° C

上限工作温度 125° C

额定使用寿命 >5000h

端子和封装数据 Taped leads, Ammo pack_lead spacing F=5.0 mm

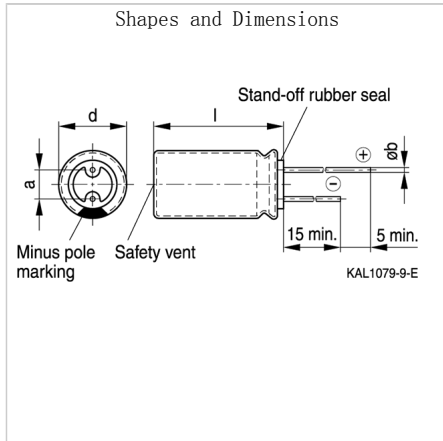
包装形式 [请参照规格书](#)

! Images are for reference only and show exemplary products.

! This PDF document was created based on the data listed on the TDK Corporation website.

! All specifications are subject to change without notice.

Associated Images



! Images are for reference only and show exemplary products.
 ! This PDF document was created based on the data listed on the TDK Corporation website.
 ! All specifications are subject to change without notice.