

单端式

B41866C3828M002

RoHS Reach Pb Free

| | |
|----|--|
| 型 | B41866 |
| 特点 | High ripple current |
| 状态 |  量产体制 |



尺寸

D x L 18mm x 31.5mm

其他详细信息 [请参照规格书](#)

电气特性

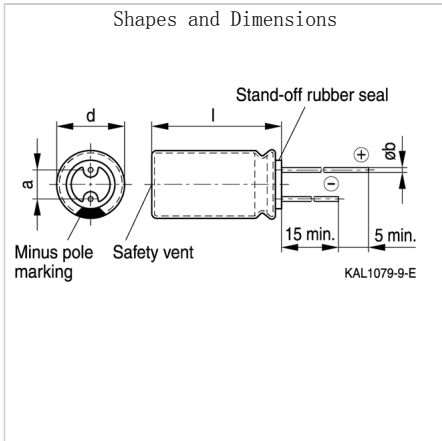
| | |
|-----------|--------------------------------|
| 额定电容 | 8200 μ F |
| 额定电压 [DC] | 10V |
| 额定纹波电流 | 3.178A (100kHz, 125° C) |
| 最大ESR | 0.028 Ω (10kHz, 20° C) |
| 最大阻抗 | 0.027 Ω (100kHz, 20° C) |

其他详细信息 [请参照规格书](#)

其他

| | |
|---------|------------------------|
| 最低温度 | -55° C |
| 上限工作温度 | 125° C |
| 额定使用寿命 | >5000h |
| 端子和封装数据 | Cut leads, bulk |
| 包装形式 | 请参照规格书 |

Associated Images



! Images are for reference only and show exemplary products.
 ! This PDF document was created based on the data listed on the TDK Corporation website.
 ! All specifications are subject to change without notice.