


单端式

B41866C6567M002

RoHS Reach Pb Free

|    |  |
|----|--|
| 型  | B41866   |
| 特点 | High ripple current  |
| 状态 |  量产体制 |



### 尺寸

D x L 16mm x 20mm

其他详细信息 [请参照规格书](#)

### 电气特性

|           |                                |
|-----------|--------------------------------|
| 额定电容      | 560 $\mu$ F                    |
| 额定电压 [DC] | 50V                            |
| 额定纹波电流    | 1.895A (100kHz, 125° C)        |
| 最大ESR     | 0.05 $\Omega$ (10kHz, 20° C)   |
| 最大阻抗      | 0.046 $\Omega$ (100kHz, 20° C) |

其他详细信息 [请参照规格书](#)

### 其他

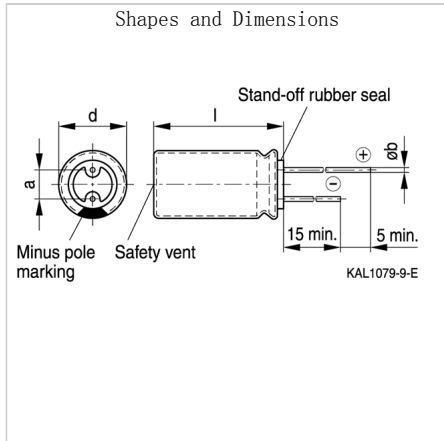
|         |                        |
|---------|------------------------|
| 最低温度    | -55° C                 |
| 上限工作温度  | 125° C                 |
| 额定使用寿命  | >5000h                 |
| 端子和封装数据 | Cut leads, bulk        |
| 包装形式    | <a href="#">请参照规格书</a> |

! Images are for reference only and show exemplary products.

! This PDF document was created based on the data listed on the TDK Corporation website.

! All specifications are subject to change without notice.

Associated Images



! Images are for reference only and show exemplary products.  
 ! This PDF document was created based on the data listed on the TDK Corporation website.  
 ! All specifications are subject to change without notice.