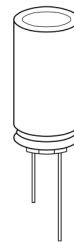


单端式

B41887A5338M004

RoHS Reach Pb Free

型	B41887
特点	Long useful life
状态	 量产体制



尺寸

D x L 18mm x 25mm

其他详细信息 [请参照规格书](#)

电气特性

额定电容 3300 μ F

额定电压 [DC] 25V

额定纹波电流 3.88A (100kHz, 105° C)

最大ESR

最大阻抗 0.016 Ω (100kHz, 20° C)

其他详细信息 [请参照规格书](#)

其他

最低温度 -40° C

上限工作温度 105° C

额定使用寿命 >10000h

端子和封装数据 J leads, blister

包装形式 [请参照规格书](#)

! Images are for reference only and show exemplary products.

! This PDF document was created based on the data listed on the TDK Corporation website.

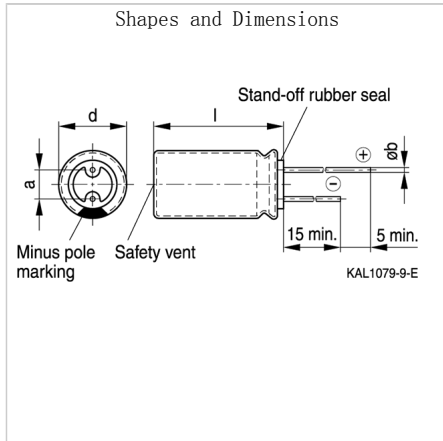
! All specifications are subject to change without notice.

单端式

B41887A5338M004

RoHS Reach Pb Free

Associated Images



! Images are for reference only and show exemplary products.
! This PDF document was created based on the data listed on the TDK Corporation website.
! All specifications are subject to change without notice.