


单端式

B41887A7687M000

RoHS Reach Pb Free

型	B41887
特点	Long useful life
状态	 量产体制



### 尺寸

D x L 12.5mm x 20mm

其他详细信息 [请参照规格书](#)

### 电气特性

额定电容 680  $\mu$ F

额定电压 [DC] 35V

额定纹波电流 2.6A (100kHz, 105° C)

最大ESR

最大阻抗 0.025  $\Omega$  (100kHz, 20° C)

其他详细信息 [请参照规格书](#)

### 其他

最低温度 -40° C

上限工作温度 105° C

额定使用寿命 >10000h

端子和封装数据 Standard leads, bulk

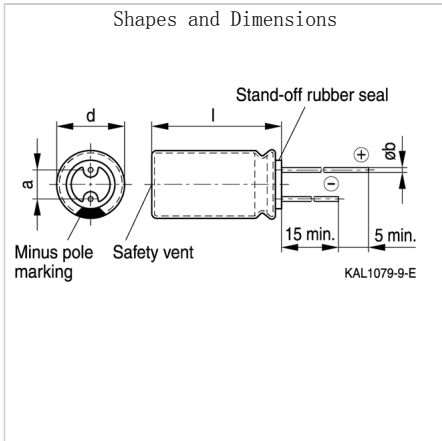
包装形式 [请参照规格书](#)

! Images are for reference only and show exemplary products.

! This PDF document was created based on the data listed on the TDK Corporation website.

! All specifications are subject to change without notice.

Associated Images



! Images are for reference only and show exemplary products.  
! This PDF document was created based on the data listed on the TDK Corporation website.  
! All specifications are subject to change without notice.