
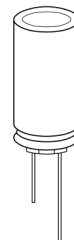


单端式

B41888C4108M004

RoHS Reach Pb Free

型	B41888
特点	Long useful life, Low impedance
状态	 量产体制



### 尺寸

D x L 10mm x 20mm

其他详细信息 [请参照规格书](#)

### 电气特性

额定电容 1000  $\mu$ F

额定电压 [DC] 16V

额定纹波电流 1.5A (100kHz, 105° C)

最大ESR 0.05  $\Omega$  (10kHz, 20° C)

最大阻抗 0.046  $\Omega$  (100kHz, 20° C)

其他详细信息 [请参照规格书](#)

### 其他

最低温度 -55° C

上限工作温度 105° C

额定使用寿命 >7000h

端子和封装数据 J leads, blister

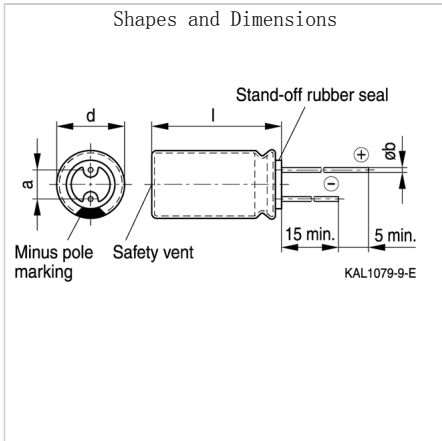
包装形式 [请参照规格书](#)

! Images are for reference only and show exemplary products.

! This PDF document was created based on the data listed on the TDK Corporation website.

! All specifications are subject to change without notice.

Associated Images



! Images are for reference only and show exemplary products.  
 ! This PDF document was created based on the data listed on the TDK Corporation website.  
 ! All specifications are subject to change without notice.