
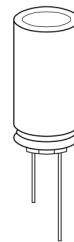


单端式

B41888C4109M003

RoHS Reach Pb Free

型	B41888
特点	Long useful life, Low impedance
状态	 量产体制



### 尺寸

D x L 18mm x 40mm

其他详细信息 [请参照规格书](#)

### 电气特性

额定电容	10000 $\mu$ F
额定电压 [DC]	16V
额定纹波电流	5.327A (100kHz, 105° C)
最大ESR	0.013 $\Omega$ (10kHz, 20° C)
最大阻抗	0.012 $\Omega$ (100kHz, 20° C)

其他详细信息 [请参照规格书](#)

### 其他

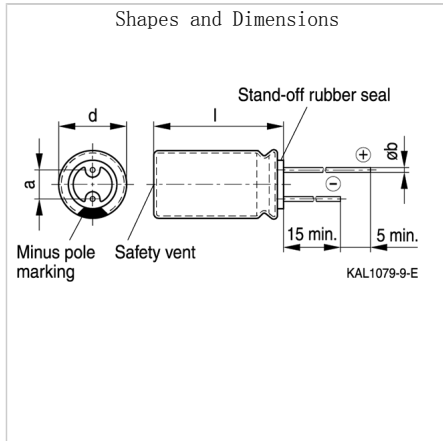
最低温度	-55° C
上限工作温度	105° C
额定使用寿命	>10000h
端子和封装数据	Crimped leads, blister
包装形式	<a href="#">请参照规格书</a>

! Images are for reference only and show exemplary products.

! This PDF document was created based on the data listed on the TDK Corporation website.

! All specifications are subject to change without notice.

Associated Images



! Images are for reference only and show exemplary products.  
 ! This PDF document was created based on the data listed on the TDK Corporation website.  
 ! All specifications are subject to change without notice.