
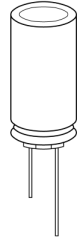


单端式

B41888C4188M001

RoHS Reach Pb Free

| | |
|----|--|
| 型 | B41888 |
| 特点 | Long useful life, Low impedance |
| 状态 |  量产体制 |



尺寸

D x L 12.5mm x 25mm

其他详细信息 [请参照规格书](#)

电气特性

| | |
|-----------|--------------------------------|
| 额定电容 | 1800 μ F |
| 额定电压 [DC] | 16V |
| 额定纹波电流 | 2.459A (100kHz, 105° C) |
| 最大ESR | 0.03 Ω (10kHz, 20° C) |
| 最大阻抗 | 0.027 Ω (100kHz, 20° C) |

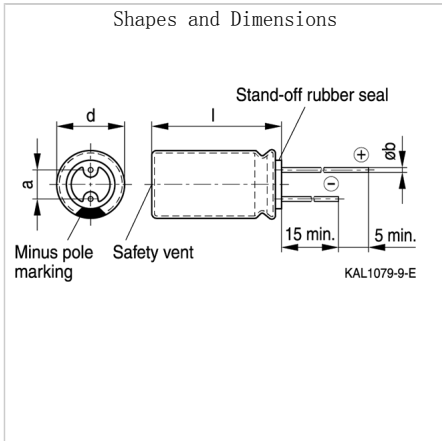
其他详细信息 [请参照规格书](#)

其他

| | |
|---------|--------------------|
| 最低温度 | -55° C |
| 上限工作温度 | 105° C |
| 额定使用寿命 | >10000h |
| 端子和封装数据 | Kinked leads, bulk |

包装形式 [请参照规格书](#)

Associated Images



! Images are for reference only and show exemplary products.
! This PDF document was created based on the data listed on the TDK Corporation website.
! All specifications are subject to change without notice.