
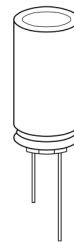


单端式

B41888C4188M002

RoHS Reach Pb Free

型	B41888
特点	Long useful life, Low impedance
状态	 量产体制



尺寸

D x L 12.5mm x 25mm

其他详细信息 [请参照规格书](#)

电气特性

额定电容	1800 μ F
额定电压 [DC]	16V
额定纹波电流	2.459A (100kHz, 105° C)
最大ESR	0.03 Ω (10kHz, 20° C)
最大阻抗	0.027 Ω (100kHz, 20° C)

其他详细信息 [请参照规格书](#)

其他

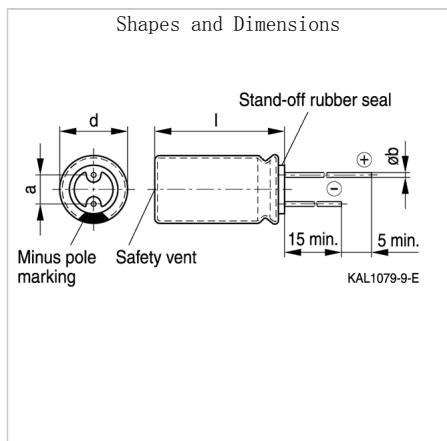
最低温度	-55° C
上限工作温度	105° C
额定使用寿命	>10000h
端子和封装数据	Cut leads, bulk
包装形式	请参照规格书

! Images are for reference only and show exemplary products.

! This PDF document was created based on the data listed on the TDK Corporation website.

! All specifications are subject to change without notice.

Associated Images



! Images are for reference only and show exemplary products.
! This PDF document was created based on the data listed on the TDK Corporation website.
! All specifications are subject to change without notice.