
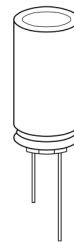


单端式

B41888C8127M002

RoHS Pb Free

型	B41888
特点	Long useful life, Low impedance
状态	 量产体制



### 尺寸

D x L 10mm x 16mm

其他详细信息 [请参照规格书](#)

### 电气特性

额定电容	120 $\mu$ F
额定电压 [DC]	63V
额定纹波电流	0.474A (100kHz, 105° C)
最大ESR	0.308 $\Omega$ (10kHz, 20° C)
最大阻抗	0.279 $\Omega$ (100kHz, 20° C)

其他详细信息 [请参照规格书](#)

### 其他

最低温度	-55° C
上限工作温度	105° C
额定使用寿命	>7000h
端子和封装数据	Cut leads, bulk

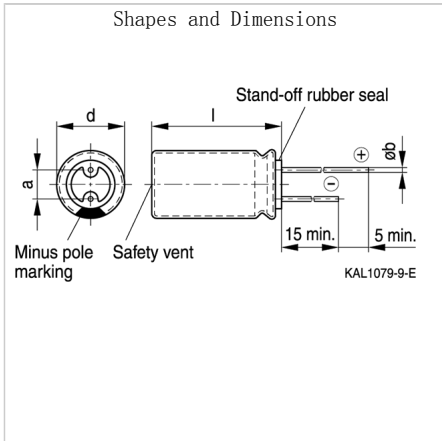
包装形式 [请参照规格书](#)

! Images are for reference only and show exemplary products.

! This PDF document was created based on the data listed on the TDK Corporation website.

! All specifications are subject to change without notice.

Associated Images



! Images are for reference only and show exemplary products.  
 ! This PDF document was created based on the data listed on the TDK Corporation website.  
 ! All specifications are subject to change without notice.