
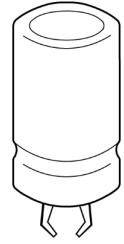


大尺寸

B43654A5687M062

RoHS Reach

| | |
|----|--|
| 型 | B43654 |
| 特点 | Very compact |
| 状态 |  量产体制 |



尺寸

D x L 35mm x 55mm

其他详细信息 [请参照规格书](#)

电气特性

额定电容 680 μ F

额定电压 [DC] 450V

最大纹波电流 4.78A (100Hz, 85° C)

额定纹波电流 2.75A (100Hz, 105° C)

最大ESR

最大阻抗 0.25 Ω (10kHz, 20° C)

其他详细信息 [请参照规格书](#)

其他

最低温度 -40° C

上限工作温度 105° C

额定使用寿命 >5000h

端子和封装数据 snap-in version with 3 terminals (4.5 mm)

包装形式 [请参照规格书](#)

! Images are for reference only and show exemplary products.

! This PDF document was created based on the data listed on the TDK Corporation website.

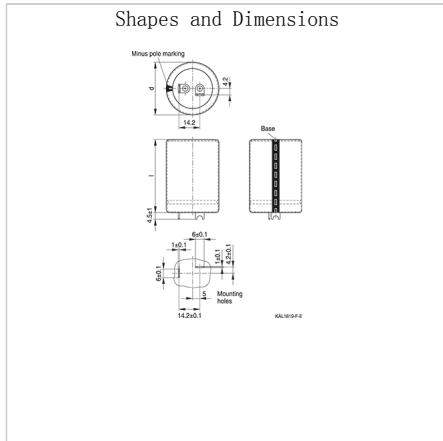
! All specifications are subject to change without notice.

大尺寸

B43654A5687M062

RoHS Reach

Associated Images



! Images are for reference only and show exemplary products.
! This PDF document was created based on the data listed on the TDK Corporation website.
! All specifications are subject to change without notice.