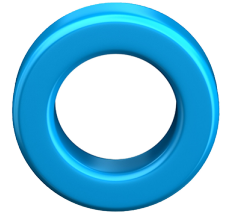


磁芯形状	环形磁心(环形磁心)
特点	EMI
材料名称	Mn-Zn
铁氧体材料	N30
状态	量产体制



尺寸

Size (IEC 62317) AxBxC R 58.3/32/18

其他详细信息 [请参照规格书](#)

电气特性

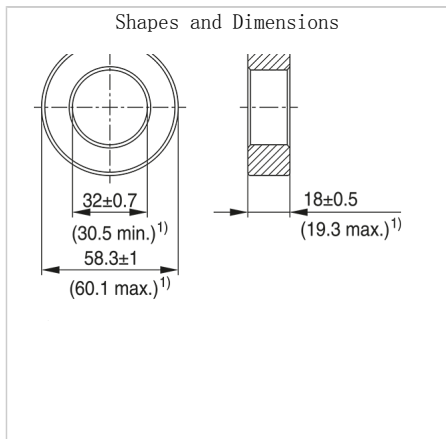
Core Factor	0.58mm ⁻¹
Effective Cross-Sectional Area	230mm ²
Effective Magnetic Path Length	134mm
Effective Core Volume	30710mm ³
AL Value / (nH / N ²)	9300 ±25%
铁心损耗 / (W / set) [Max.]	
Air Gap	0 mm
重量	160g

电气特性 (材料)

初始磁导率 μ_i	4300 Nom.
饱和磁通密度 Bs / mT	240 (100° C)
居里温度 Tc [Min.]	130° C
铁心损耗 / (kW / m ³) [Max.]	

! Images are for reference only and show exemplary products.
! This PDF document was created based on the data listed on the TDK Corporation website.
! All specifications are subject to change without notice.

Associated Images



! Images are for reference only and show exemplary products.
 ! This PDF document was created based on the data listed on the TDK Corporation website.
 ! All specifications are subject to change without notice.