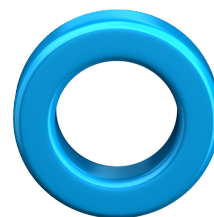


铁氧体磁芯

B64290L0647X095

RoHS Pb Free

磁芯形状	环形磁心(环形磁心)
特点	Low Loss Low Loss
材料名称	Mn-Zn
铁氧体材料	N95
状态	量产体制



尺寸

Size (IEC 62317) AxBxC R 29.5/19/14.9

其他详细信息 [请参照规格书](#)

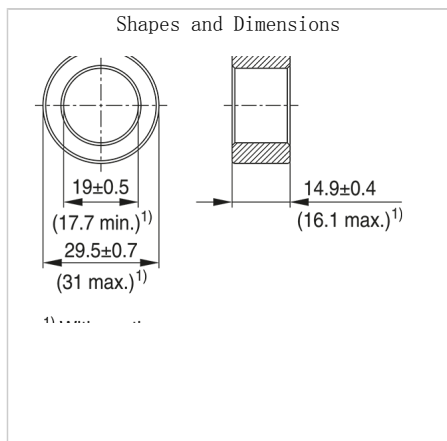
电气特性

Core Factor	
Effective Cross-Sectional Area	
Effective Magnetic Path Length	
Effective Core Volume	
AL Value / (nH / N ²)	3700 ±25%
铁心损耗 / (W / set) [Max.]	
Air Gap	0 mm
重量	

电气特性 (材料)

初始磁导率 μ_i	3000 Nom.
饱和磁通密度 B_s / mT	410 (100° C)
居里温度 T_c [Min.]	220° C
铁心损耗 / (kW / m ³) [Max.]	

Associated Images



! Images are for reference only and show exemplary products.
 ! This PDF document was created based on the data listed on the TDK Corporation website.
 ! All specifications are subject to change without notice.