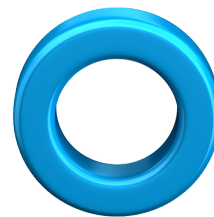


铁氧体磁芯

B64290L0696X038

RoHS Pb Free

磁芯形状	环形磁心(环形磁心)
特点	For Telecommunication
材料名称	Mn-Zn
铁氧体材料	T38
状态	量产体制



尺寸

Size (IEC 62317) AxBxC

R 68/48/13

其他详细信息

[请参照规格书](#)

电气特性

Core Factor

Effective Cross-Sectional Area

Effective Magnetic Path Length

Effective Core Volume

AL Value / (nH / N²)

7700 ±30%

铁心损耗 / (W / set) [Max.]

Air Gap

0 mm

重量

电气特性 (材料)

初始磁导率 μ_i

10000 Nom.

饱和磁通密度 B_s / mT

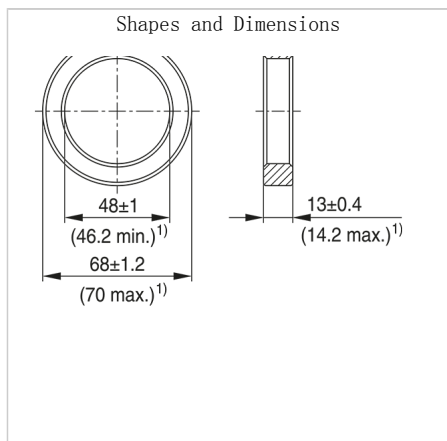
260 (100° C)

居里温度 T_c [Min.]

130° C

铁心损耗 / (kW / m³) [Max.]

Associated Images



! Images are for reference only and show exemplary products.
 ! This PDF document was created based on the data listed on the TDK Corporation website.
 ! All specifications are subject to change without notice.