

铁氧体附件

B65812P2203X000

铁氧体附件	Clamp
磁芯形状	RM 8 Low Profile
状态	 量产体制



尺寸

其他详细信息

[请参照规格书](#)

其他

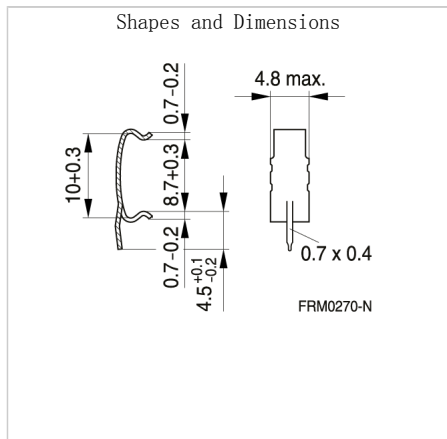
终端

备注

with ground terminal

! Images are for reference only and show exemplary products.
 ! This PDF document was created based on the data listed on the TDK Corporation website.
 ! All specifications are subject to change without notice.

Associated Images



! Images are for reference only and show exemplary products.
 ! This PDF document was created based on the data listed on the TDK Corporation website.
 ! All specifications are subject to change without notice.