


# DC-DC转换器用变压器

B82806D0060A050

RoHS Reach Halogen Free Pb Free

|      |  |
|------|--|
| 用途   | 一般   |
| 功能   | Active Clamp Forward DC/DC Converter PoE(60W)  |
| 磁芯形状 | EFD20  |
| 型    | B82806D  |
| 状态   |  量产体制 |
| 品牌   | EPCOS  |



## 尺寸

|       |              |
|-------|--------------|
| 长度(L) | 30.00mm Max. |
| 宽度(W) | 22.00mm Max. |
| 高度(T) | 11.40mm Max. |

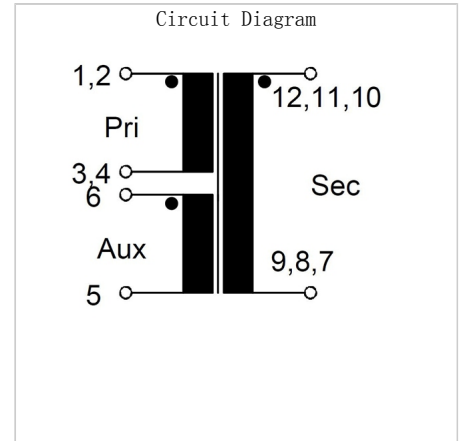
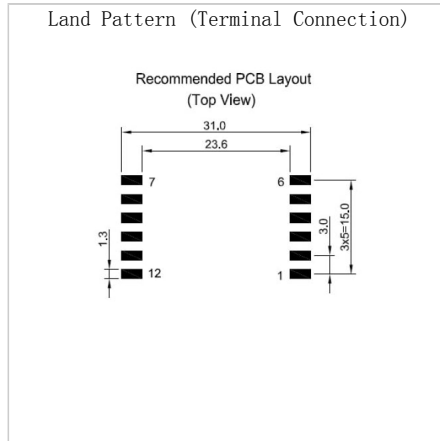
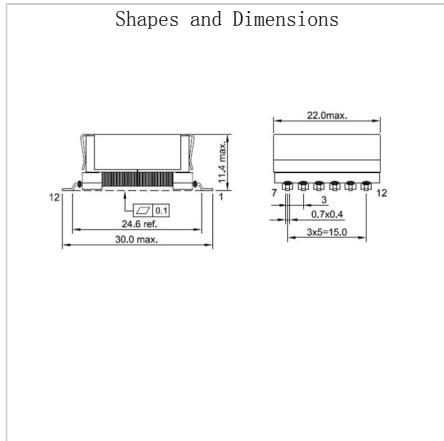
## 电气特性

|                 |                       |
|-----------------|-----------------------|
| 电感              | 100 $\mu$ H $\pm$ 30% |
| 卷数比             | 4:1:2.3               |
| 耐电压 [50Hz/1sec] | 1500Vrms              |
| 输入电压 [DC]       | 36~72V                |
| 输出功率            | 60W                   |
| 输出1             |                       |
| 输出2             |                       |
| 输出3             |                       |
| 操作频率            | 200kHz                |

## 其他

|        |                        |
|--------|------------------------|
| 使用温度范围 | -40~125° C             |
| 包装形式   | 塑封编带 (330mm卷筒、带宽 44mm) |
| 包装个数   | 640pcs                 |
| 重量     | 14g                    |

Associated Images



! Images are for reference only and show exemplary products.  
 ! This PDF document was created based on the data listed on the TDK Corporation website.  
 ! All specifications are subject to change without notice.