
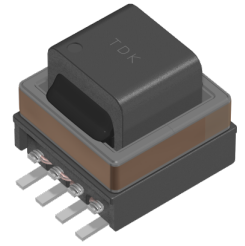


用途	车载
状态	 量产体制



### 尺寸

长度(L)	10.40mm ±0.40mm
宽度(W)	12.70mm ±0.40mm
厚度(T)	10.60mm Max.

### 电气特性

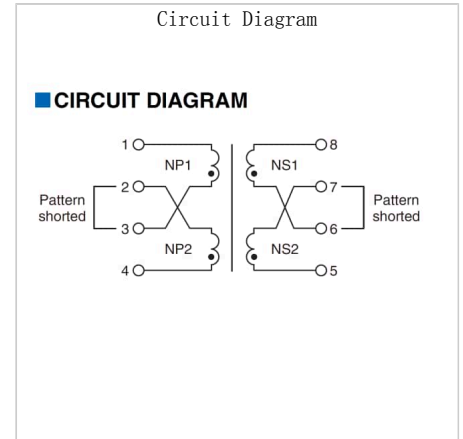
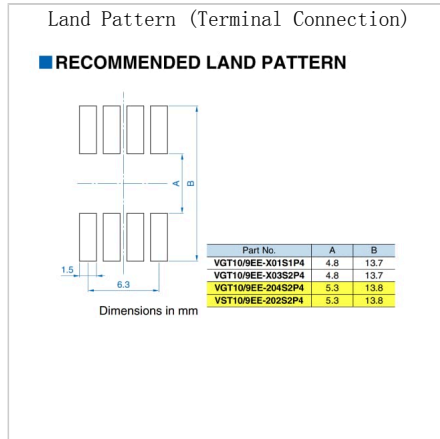
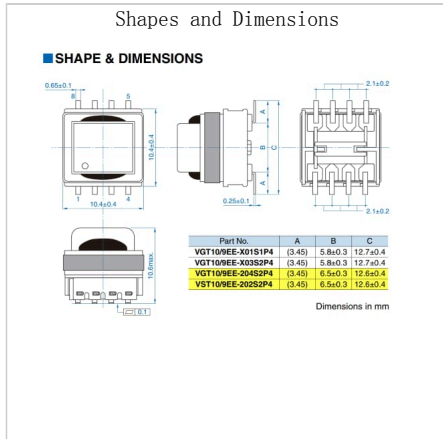
卷数比	1:1:1:1
耦合	紧耦合
电感	140 to 333 μH
漏电感 [Max.]	2 μH
耐电压 [Pri-Sec]	2.8kVrms 1min. or 3.4kVrms 1sec.
耐电压 [Coil-Core]	1.4kVrms 1min. or 1.7kVrms 1sec.

### 其他

使用温度范围	-40~130° C
AEC-Q200	YES
包装形式	塑封编带 (330mm卷筒、带宽 24mm)
包装个数	250pcs
重量	1.5g

特性图表 (这是参考数据，并不保证产品的特性。)

## Associated Images



! Images are for reference only and show exemplary products.  
 ! This PDF document was created based on the data listed on the TDK Corporation website.  
 ! All specifications are subject to change without notice.