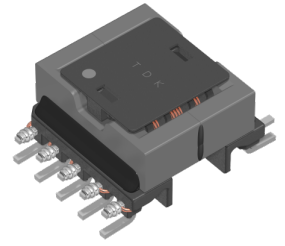


IGBT/FET用变压器
VGT15SEFD-200S1A4

RoHS Reach Halogen Free Pb Free

用途	车载
功能	回扫变压器(分布式)
系列	VGT
状态	 量产体制
品牌	TDK



尺寸

长度(L)	15.60mm ±0.30mm
宽度(W)	19.40mm +0.50, -0.30mm
厚度(T)	10.00mm Max.

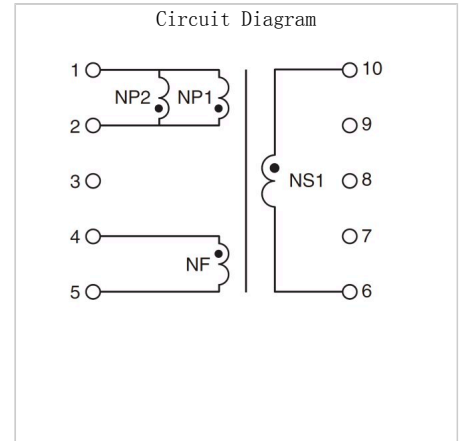
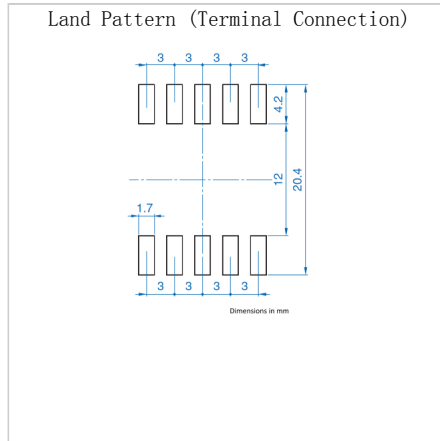
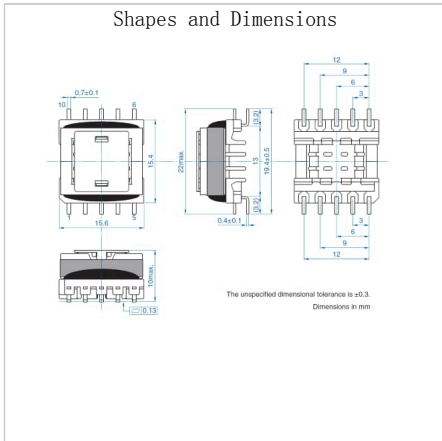
电气特性

卷数比	1:1.8:3.3
输出的数量	1
电感	10 μH ±20%
漏电感 [Max.]	200nH
耐电压 [Pri-Sec]	2.6kVrms 1min. or 3.2kVrms 1sec.
耐电压 [Coil-Core]	1.3kVrms 1min. or 1.6kVrms 1sec.

其他

使用温度范围	-40~130° C
AEC-Q200	YES
包装形式	塑封编带 (330mm卷筒、带宽 44mm)
包装个数	200pcs
重量	3.9g

Associated Images



! Images are for reference only and show exemplary products.
 ! This PDF document was created based on the data listed on the TDK Corporation website.
 ! All specifications are subject to change without notice.