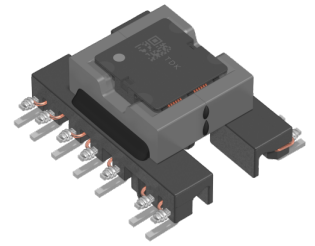


IGBT/FET用变压器  
VGT15SEFD-250S4A7

RoHS Reach Halogen Free Pb Free

用途	车载
功能	回扫变压器(集中)
系列	VGT
状态	 量产体制
品牌	TDK



### 尺寸

长度(L)	23.00mm ±0.30mm
宽度(W)	21.40mm ±1.00mm
厚度(T)	12.00mm Max.

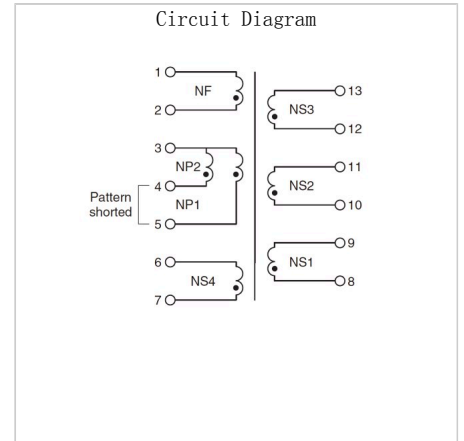
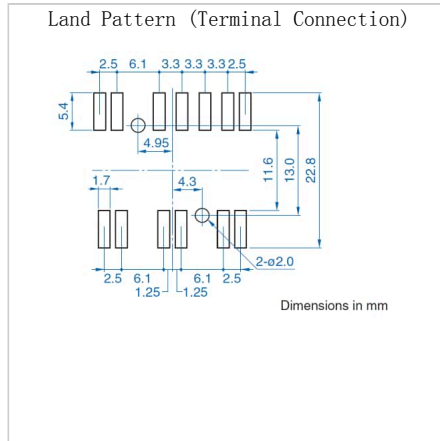
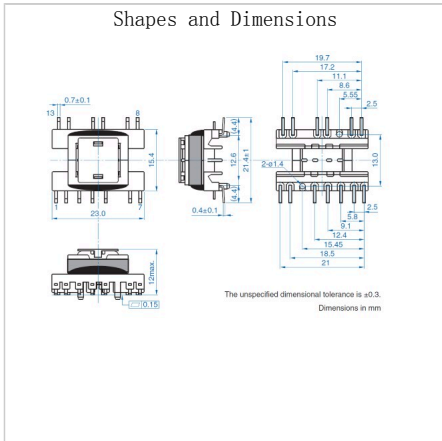
### 电气特性

卷数比	1:3:3:3:3
输出的数量	4
电感	2.6 μH ±20%
漏电感 [Max.]	200nH
耐电压 [Pri-Sec]	2.6kVrms 1min. or 3.2kVrms 1sec.
耐电压 [Coil-Core]	1.3kVrms 1min. or 1.6kVrms 1sec.

### 其他

使用温度范围	-40~130° C
AEC-Q200	YES
包装形式	塑封编带 (330mm卷筒、带宽 44mm)
包装个数	150pcs
重量	4.6g

## Associated Images



! Images are for reference only and show exemplary products.  
! This PDF document was created based on the data listed on the TDK Corporation website.  
! All specifications are subject to change without notice.